

Telephone:
 Fax:
 VAT Registration No.:

31	Battery -
30	Battery +
A195	Door function control module, driver
A196	Door function control module, passenger
M27	Door mirror adjustment motor, driver
M28	Door mirror adjustment motor, passenger
S98	Door mirror adjustment switch
EP10	Earth point location 10
EP4	Earth point location 4
EP5	Earth point location 5
EP9	Earth point location 9
M14	Electric window motor, driver
M15	Electric window motor, passenger
S64	Electric window switch, driver's door
S65	Electric window switch, passenger door
F	Fuse
X28-II	Fuse box/relay plate, engine bay
X28-I	Fuse box/relay plate, fascia 1
K79	Ignition main circuits relay
15	Ignition switch - ignition ON
A11	Multifunction control module
X92	Shorting link connector

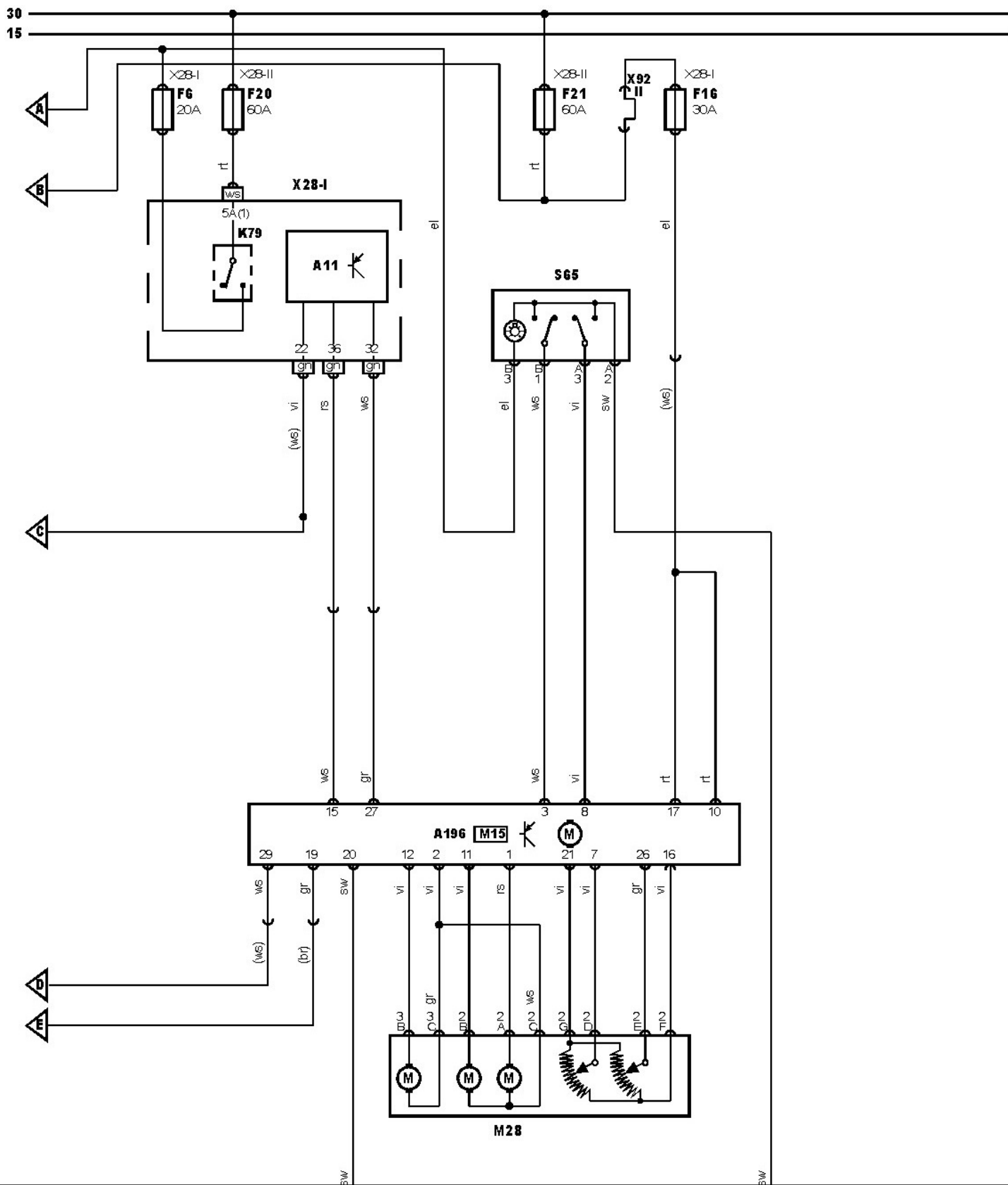
bl = blue	br = brown	el = cream	ge = yellow
gn = green	gr = grey	nf = neutral	og = orange
rs = pink	rt = red	sw = black	vi = violet
ws = white	hbl = light blue	hgn = light green	rbr = maroon
x = braided cable	y = high tension	z = non-cable connection	

NOTE: In certain diagrams (Citroen, Peugeot & Renault), colour codes are replaced by numbers which are used to identify a particular cable and not the colour. In this instance, the cables will be numbered at each end close to the harness connector.

Manufacturer: Renault
Engine code: F9Q 750
Tuned for:

Model: Laguna II (01-05) 1,9D dCi
Output: 88 (120) 4000
Year: 2001-05

© Autodata Limited 2007
 26/09/2009
 V6.410- **/Autodata**



Manufacturer: Renault
Engine code: F9Q 750
Tuned for:

Model: Laguna II (01-05) 1,9D dCi
Output: 88 (120) 4000
Year: 2001-05

© Autodata Limited 2007
 26/09/2009
 V6.410- **/Autodata**

31

EP9
Lhd=EP4

33648

EP9
Lhd=EP4

Manufacturer: Renault
Engine code: F9Q 750
Tuned for:

Model: Laguna II (01-05) 1,9D dCi
Output: 88 (120) 4000
Year: 2001-05

© Autodata Limited 2007
26/09/2009
V6.410- ***/Autodata***