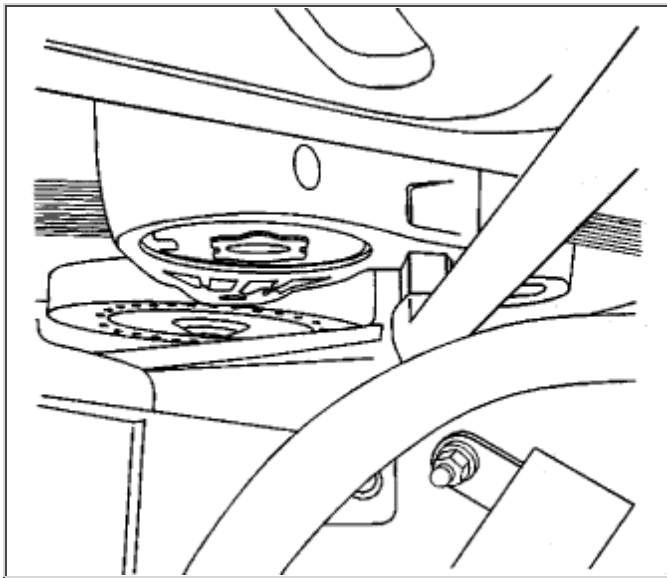


## Drive Belt Replacement

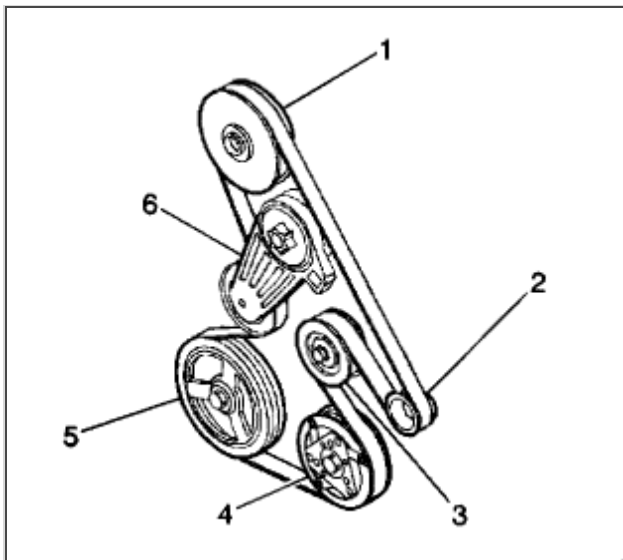
### Removal Procedure



Zoom

Sized for Print

1. Remove the auxiliary drive belt (if equipped).
2. Install a 1/2 inch drive extension into the belt drive tensioner.



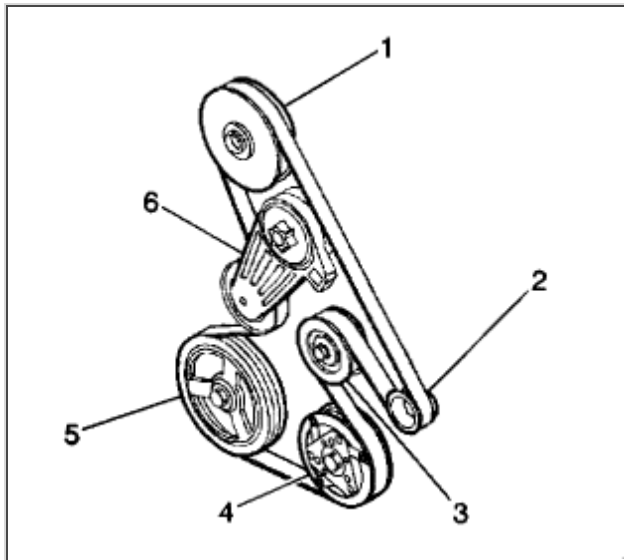
Zoom

Sized for Print

3. Push down on the extension to release tension.
4. Remove the drive belt from the power steering pump (11).

5. Slowly return the tensioner (6) to the original position.
6. Remove the belt.

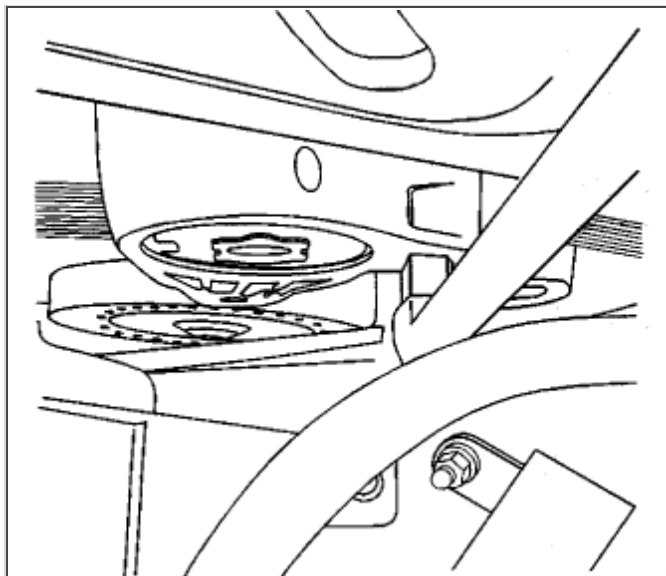
### Installation Procedure



Zoom

Sized for Print

1. Thread the drive belt through all the pulleys except for the power steering pump (1) and the drive belt tensioner (6).



Zoom

Sized for Print

2. Insert a 1/2 inch drive extension into the drive belt tensioner.

3. Push down on the tensioner and feed the belt around the tensioner wheel.
4. With the tension applied, complete the belt routing. Make sure the belt is properly seated in all pulleys.
5. Slowly return the tensioner back to its original position. This will apply tension to the drive belt.
6. After the installation, inspect the belt for the proper routing and the correct alignment.
7. Install the auxiliary drive belt (if equipped).
8. Start the engine and check for proper belt and accessory operation.