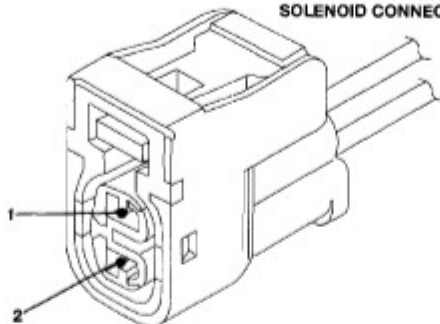


## TEST P1289-A CONTINUED - REPAIRING - MANIFOLD TUNE VALVE CONTROL CIRCUIT (OBD II)

MANIFOLD TUNE VALVE  
SOLENOID CONNECTOR

CAV	COLOR	FUNCTION
1	VT/RD	MTV SOLENOID CONTROL
2	DG/LG	ASD RELAY OUTPUT

FIG. 1

8060906

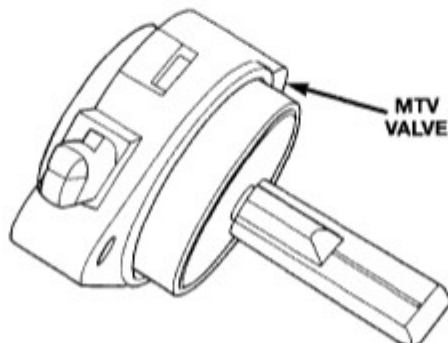


FIG. 2

80d654d