



TOYOTA Technical Service BULLETIN

February 8, 2008

Title:

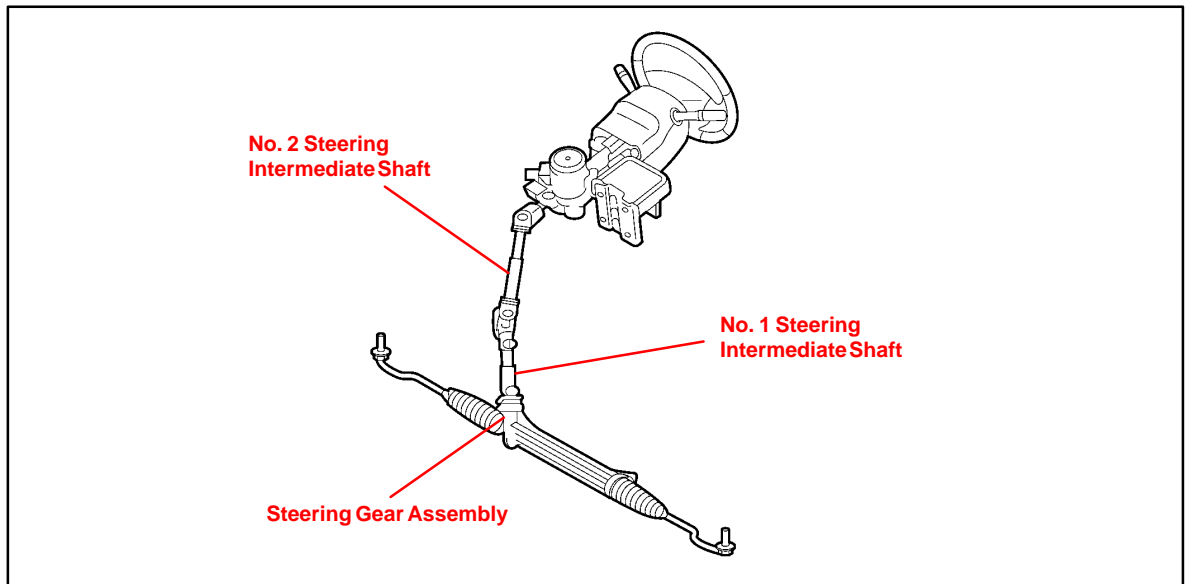
STEERING INTERMEDIATE SHAFT NOISE

Models:

'06 – '07 RAV4

STEERING
ST001-08

Introduction Some customers may hear a clunk, pop, or knock-type noise when turning the steering wheel left or right. A new intermediate shaft has been developed to address this condition. Use the following repair procedure to remove and replace the steering intermediate shaft.



- Applicable Vehicles**
- 2006 – 2007 model year **RAV4** vehicles produced **BEFORE** the Production Change Effective VINs shown in this TSB.

Parts Information

PREVIOUS PART NUMBER	CURRENT PART NUMBER	PART NAME	QTY
45221-42060	45221-42070	Shaft, Steering Intermediate	1
45260-42090	Same	Shaft Assembly, Steering Intermediate No. 2	1

Warranty Information

OP CODE	DESCRIPTION	TIME	OFF	T1	T2
ST7002	R & R Steering Intermediate Shaft Assembly	1.5	45221-42060	91	40

Applicable Warranty*:

This repair is covered under the Toyota Comprehensive Warranty. This warranty is in effect for 36 months or 36,000 miles, whichever occurs first, from the vehicle's in-service date.

* Warranty application is limited to correction of a problem based upon a customer's specific complaint.



Production Change Information

PLANT	ENGINE	DRIVETRAIN	PRODUCTION CHANGE EFFECTIVE VIN
Tahara (11th digit = 5)	2AZ	FF	JTMZD3#V#8 <u>5</u> 078158
		4WD	JTMBD3#V#8 <u>5</u> 124449
	2GR	FF	JTMZK3#V#8 <u>5</u> 016169
		4WD	JTMBK3#V#8 <u>5</u> 040811
Nagakusa (Shokki) (11th digit = 6)	2AZ	FF	JTMZD3#V#7 <u>6</u> 052716
		4WD	JTMBD3#V#7 <u>6</u> 054480
	2GR	FF	JTMZK3#V#7 <u>6</u> 009959
		4WD	JTMBK3#V#7 <u>6</u> 027887

* Underlined number in VIN (11th digit) represents assembly plant line code.

Parts Information

PREVIOUS PART NUMBER	CURRENT PART NUMBER	PART NAME	QTY
45221-42060	45221-42070	Shaft, Steering Intermediate	1
45260-42090	Same	Shaft Assembly, Steering Intermediate No. 2	1

Repair Procedure

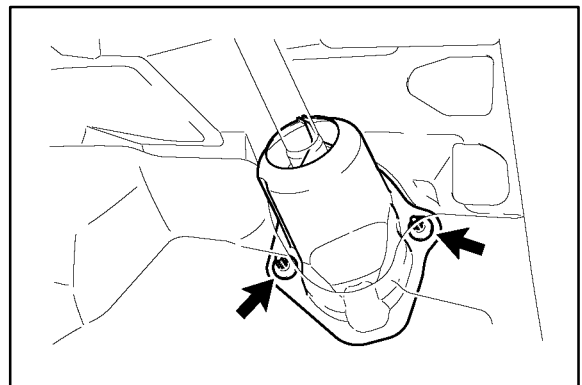
Prior to removing the steering intermediate shaft, make sure the steering wheel and front wheels remain stationary. Once the intermediate shaft is removed, do NOT allow the steering wheel to spin freely.

1. Install a steering wheel holder.

NOTE:

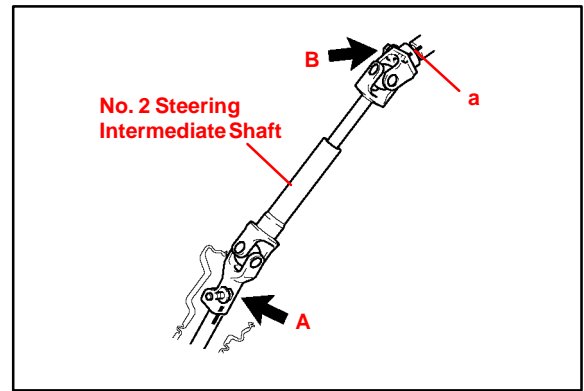
Ensure the wheels are straight and the steering wheel is centered before removing the steering intermediate shaft by installing a steering wheel holder.

2. Remove the column hole cover silencer sheet.
Turn back the floor carpet, remove the 2 clips, and remove the column hole cover silencer sheet.

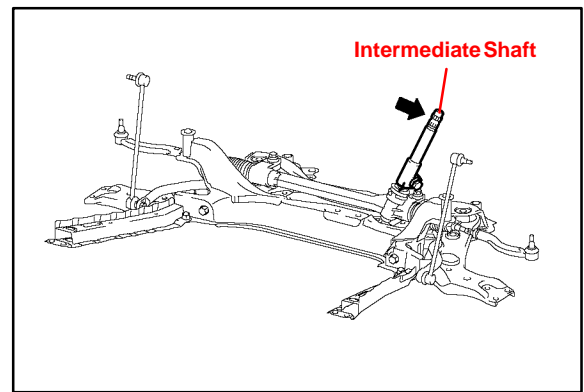


Repair Procedure
(Continued)

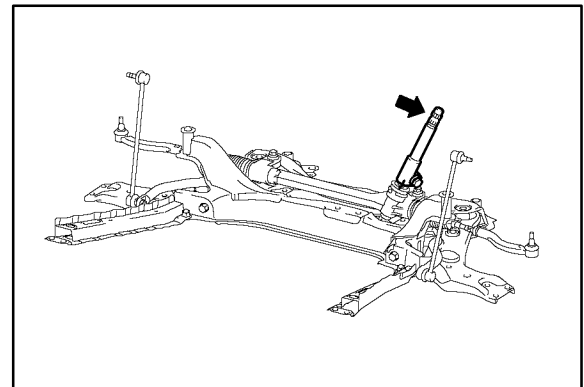
3. Remove the No. 2 steering intermediate shaft assembly.
 - A. Place matchmarks (“a”) on the No. 2 steering intermediate shaft and steering column.
 - B. Remove bolt A and detach the No. 2 steering assembly from the steering gear.
 - C. Remove bolt B and detach the No. 2 steering intermediate shaft from the steering column.



4. Remove the No. 1 steering column hole cover sub-assembly by removing the clamp and disconnecting the column hole cover from the steering gear.
5. Remove the intermediate shaft. Remove the bolt and disconnect the steering intermediate shaft from the steering gear.



6. Install the NEW intermediate shaft onto the steering gear.
Torque: 35 N•m (360 kgf•cm, 26 ft•lbf)
7. Install the No. 1 steering column hole cover sub-assembly onto the steering gear with a NEW clamp.

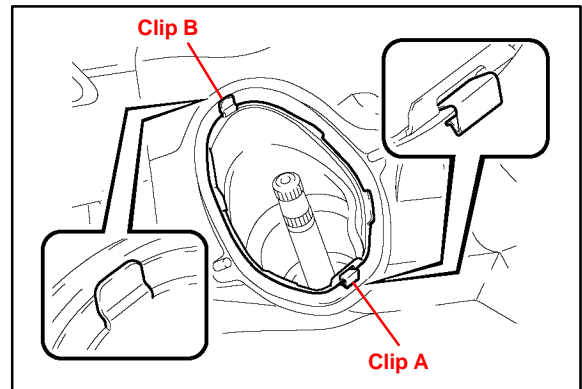


Repair Procedure
(Continued)

8. Install the No. 1 steering column hole cover sub-assembly by attaching clip B onto the body and installing the No. 1 hole cover onto the body with clip A.

NOTE:

Make sure that the lip of the No. 1 hole cover is NOT damaged.



9. Install the No. 2 steering intermediate shaft assembly.

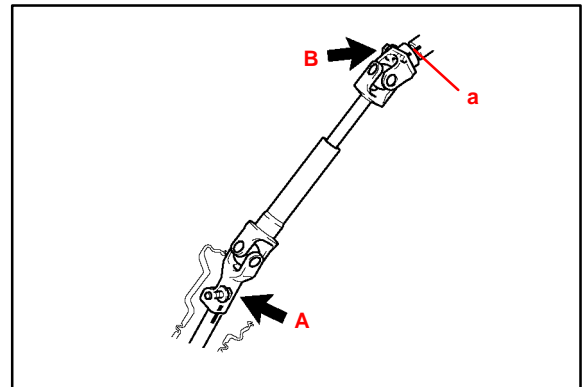
- A. Align the matchmarks (“a”) on steering intermediate shaft and the steering sliding yoke and temporarily install them with bolt B.

Torque: 35 N•m (360 kgf•cm, 26 ft•lbf)

- B. Ensure the wheels are straight.

- C. Install the No. 2 intermediate shaft and the intermediate shaft with bolt A.

Torque: 35 N•m (360 kgf•cm, 26 ft•lbf)



10. Install the column hole cover silencer sheet.

- A. Install the column hole cover plate with the 2 clips.

- B. Install the floor carpet.

11. Remove the steering wheel holder from the vehicle.

12. Road test the vehicle to verify the repair and confirm that the steering wheel is centered.

