

Select Vehicle | New TSBs | Technician's Reference Component Search:

 Conversion Calculator

2004 Pontiac Truck Montana FWD V6-3.4L VIN E

[Vehicle Level](#) → [Body and Frame](#) → [Doors, Hood and Trunk](#) → [Front Door Panel](#) → [Service and Repair](#)
→ [Trim Panel Replacement - Side Front Door](#) ←

Trim Panel Replacement - Side Front Door

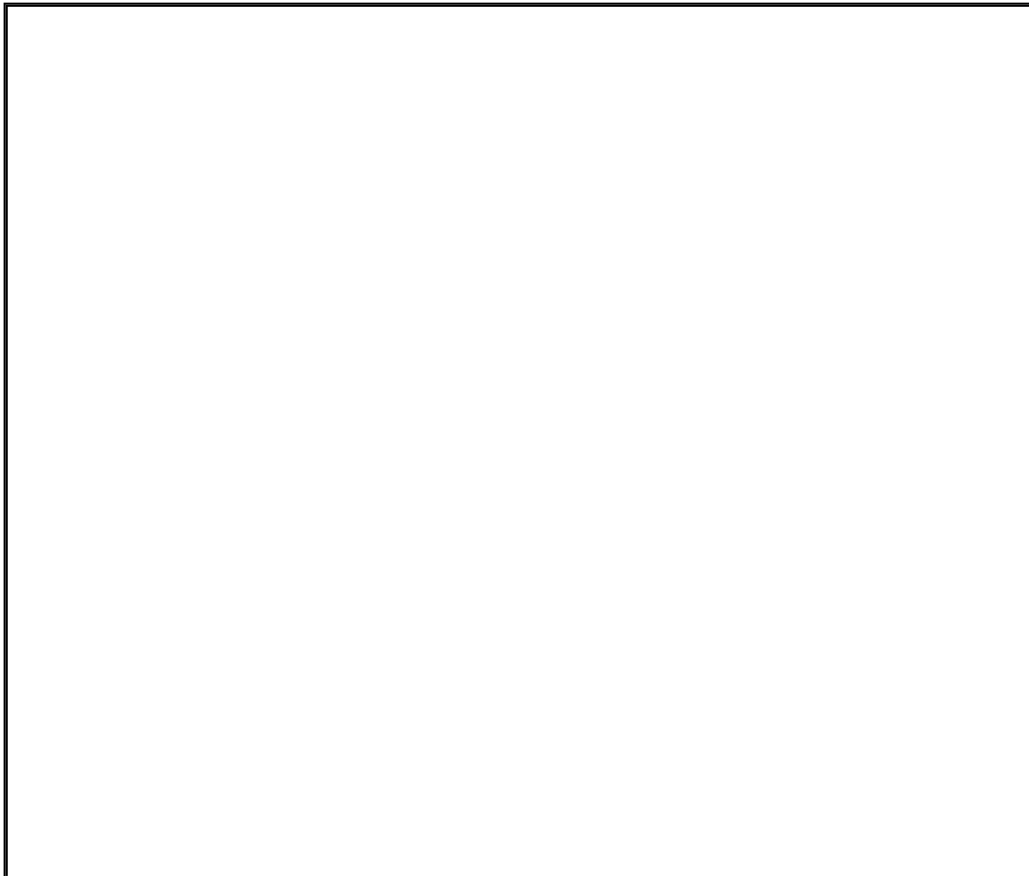
[Trim Panel Replacement - Side Front Door](#)

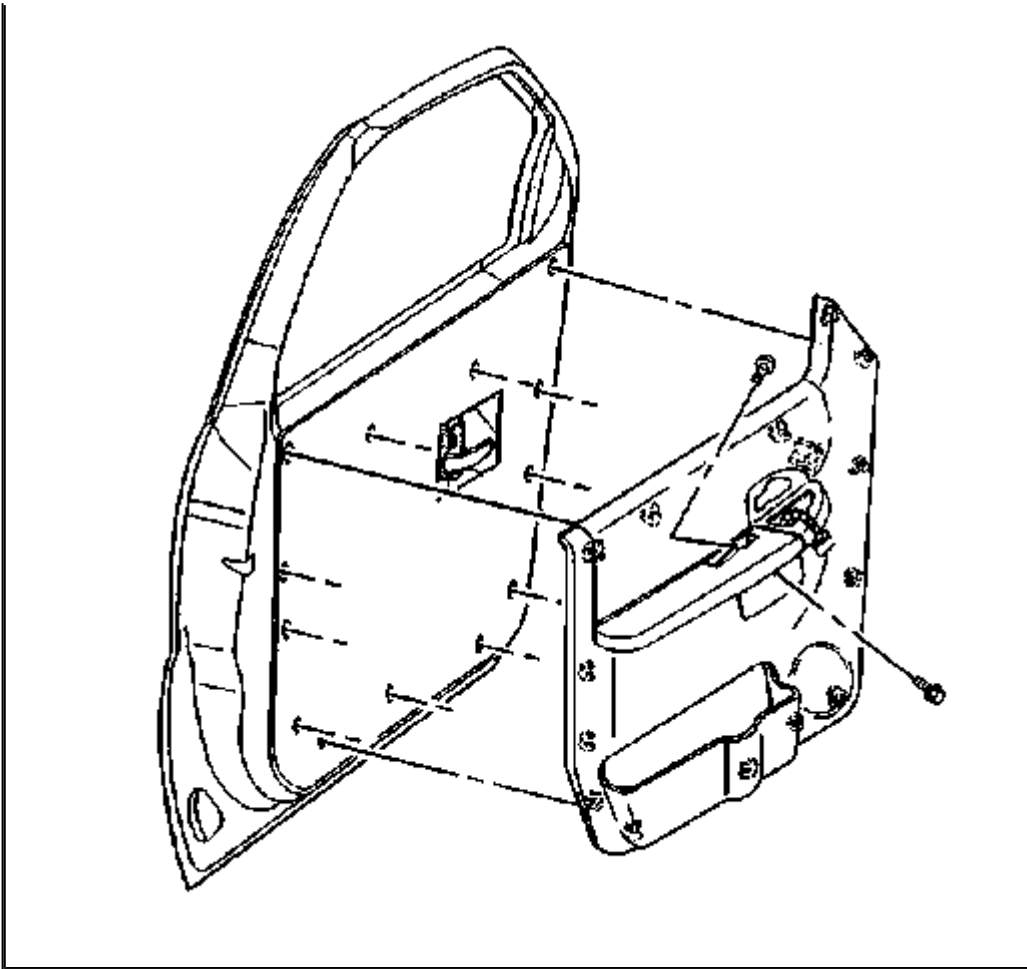
Tool Required

J 38778 Door Trim Pad Remover

Removal Procedure

1. Open the door.
2. Remove the front door trim plate. Refer to Door Trim Plate Replacement () .
3. Remove the front door manual window regulator handle if equipped. Refer to Window Regulator Handle Replacement - Door





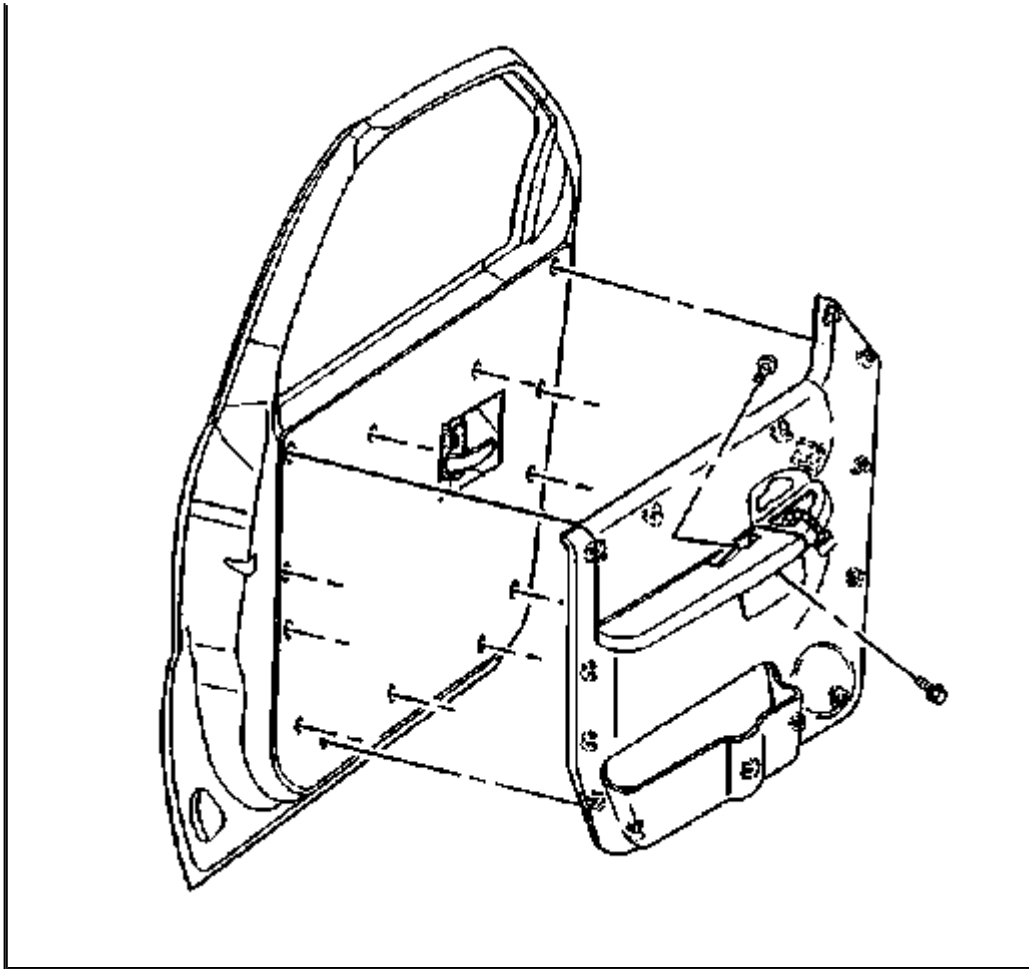
Zoom

Sized for Print

4. Remove the armrest screws.
5. Route the electrical harness through the front door [trim panel](#) opening.
6. Use J 38778 in order to remove the front door [trim panel](#) from the door.
7. Use J 38778 in order to pry the front door [trim panel](#) from the door [frame](#) at the window seal.
8. Remove the front door [trim panel](#) from the door.

Installation Procedure





Zoom

Sized for Print

1. Install the front door [trim panel](#) to the front door.
2. Place the window seal portion of the panel over the door [frame](#).
3. Route the electrical harness through the front door [trim panel](#) opening and into place.
4. Align the front door [trim panel](#) retainers to the holes in the door metal.
5. Firmly press the front door [trim panel](#) to the door metal in order to seat the retainers.

Notice: Refer to Fastener Notice in Cautions and Notices.

6. Install the armrest screws.

Tighten the screws to 3 N.m (26 lb in).

7. Install the front door manual window regulator handle if equipped. Refer to Window Regulator Handle Replacement - Door
8. Install the door trim plate. Refer to Door Trim Plate Replacement () .
9. Close the door.

© 2010 ALLDATA LLC. All rights reserved.
[Terms of Use](#)