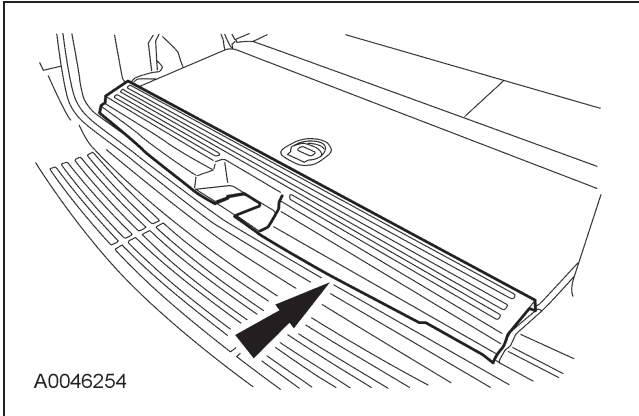


REMOVAL AND INSTALLATION

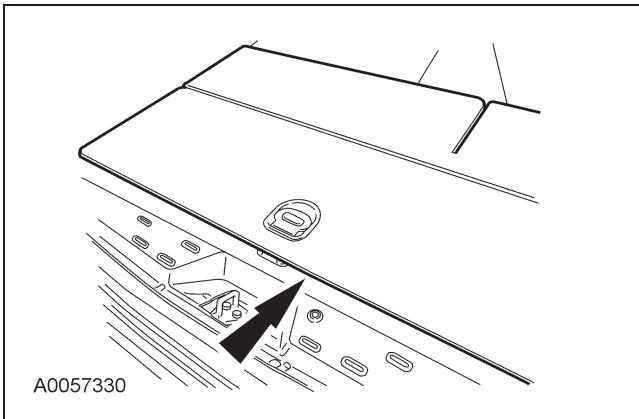
Rear Quarter Trim Panel

Removal and Installation

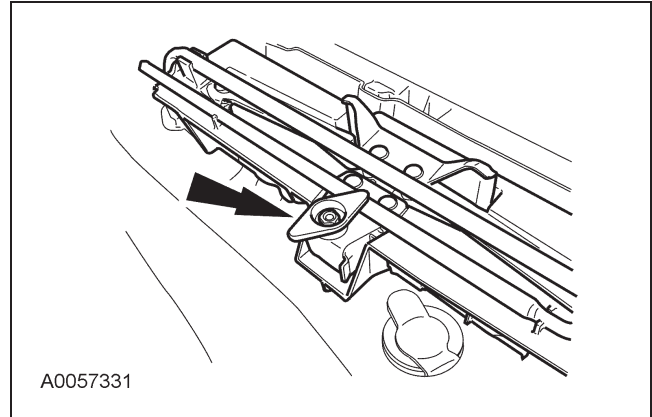
1. Remove the C-pillar trim panel. For additional information, refer to C-Pillar Trim Panel in this section.
2. Remove the D-pillar trim panel. For additional information, refer to D-Pillar Trim Panel in this section.
3. Remove the liftgate scuff plate by pulling upward.



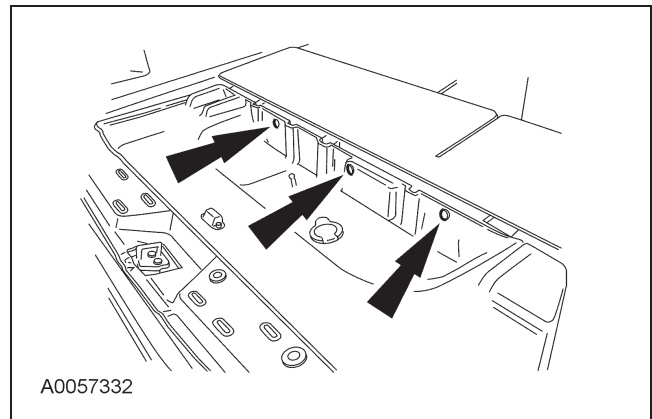
4. Remove the rear floor loadspace trim panel.



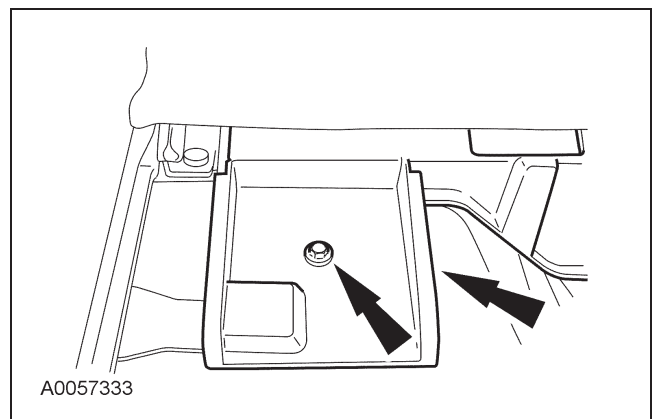
5. Remove the floor jack assembly.



6. Remove the pin-type retainers and pull back the carpeting.

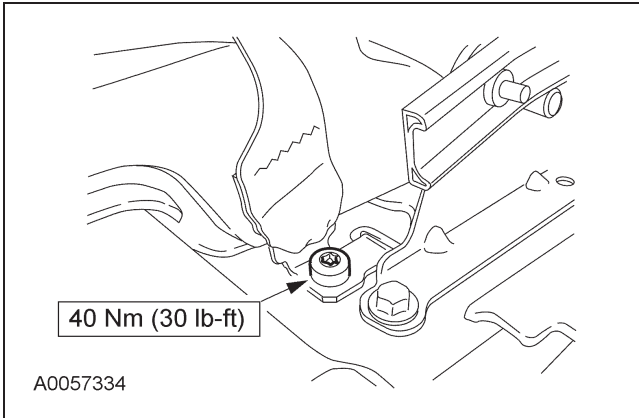


7. Remove the two bolts and the loadspace trim panel by pulling upward.

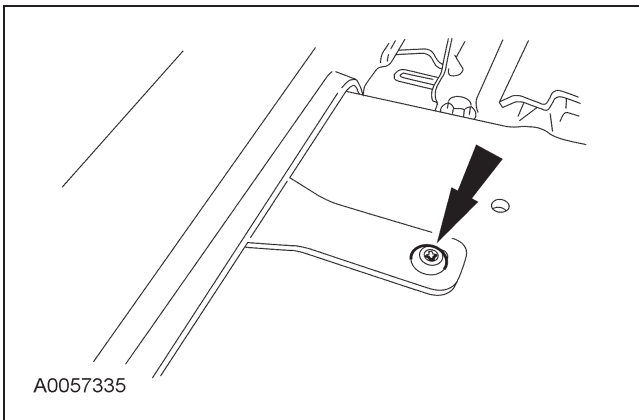


REMOVAL AND INSTALLATION (Continued)

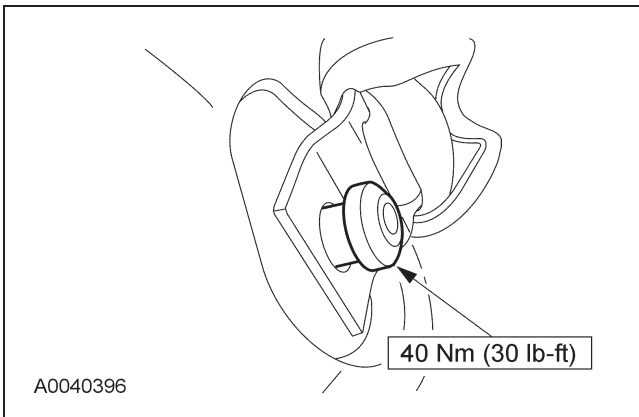
8. Remove the third row seat safety belt anchor bolt.



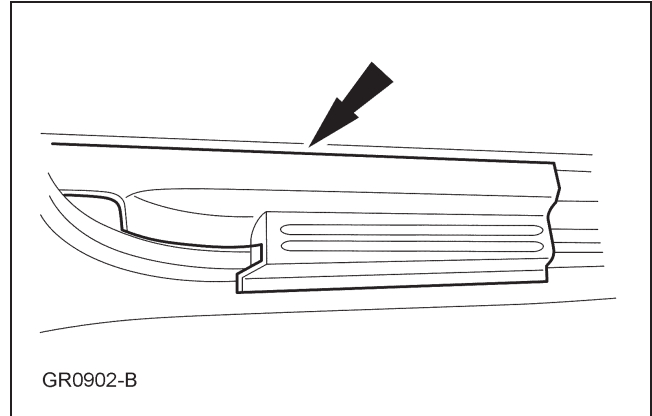
9. Remove the rear quarter trim panel pin-type retainer.



10. Remove the second row safety belt anchor.



11. Remove the rear door scuff plate by pulling upward.

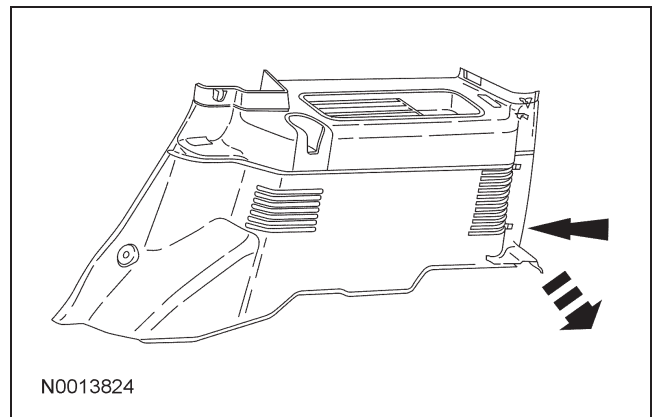


12. **NOTE:** The seat back must not be folded completely down, as the quarter trim panel will not have enough clearance to be removed.

Fold the seat back of the third row seat downward so that the top edge of the seat back is positioned within approximately 203 mm (8 in) of the full down position.

13. Remove the rear quarter trim panel.

- Disengage the rear clip on the base of the trim panel first, by pulling the bottom rear edge toward the center of the vehicle.
- Disengage the remaining clips.
- If equipped, disconnect the power point and power third row seat switch electrical connector at the rear.



14. To install, reverse the removal procedure.