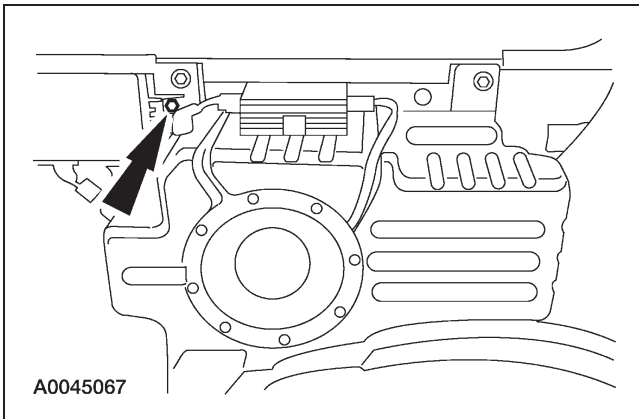


REMOVAL AND INSTALLATION

Subwoofer Speaker

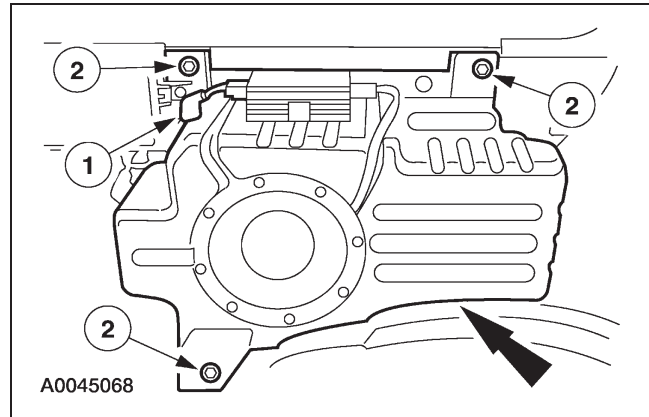
Removal and Installation

1. Remove the rear quarter trim panel. Refer to Section 501-05.
2. Remove liftgate module bolt (if equipped) and remove liftgate module.



NOTE: Early build is shown, late build is similar

3. Remove the subwoofer assembly.
 - 1 Disconnect the subwoofer amplifier electrical connector.
 - 2 Remove the bolts.



4. To install, reverse the removal procedure.