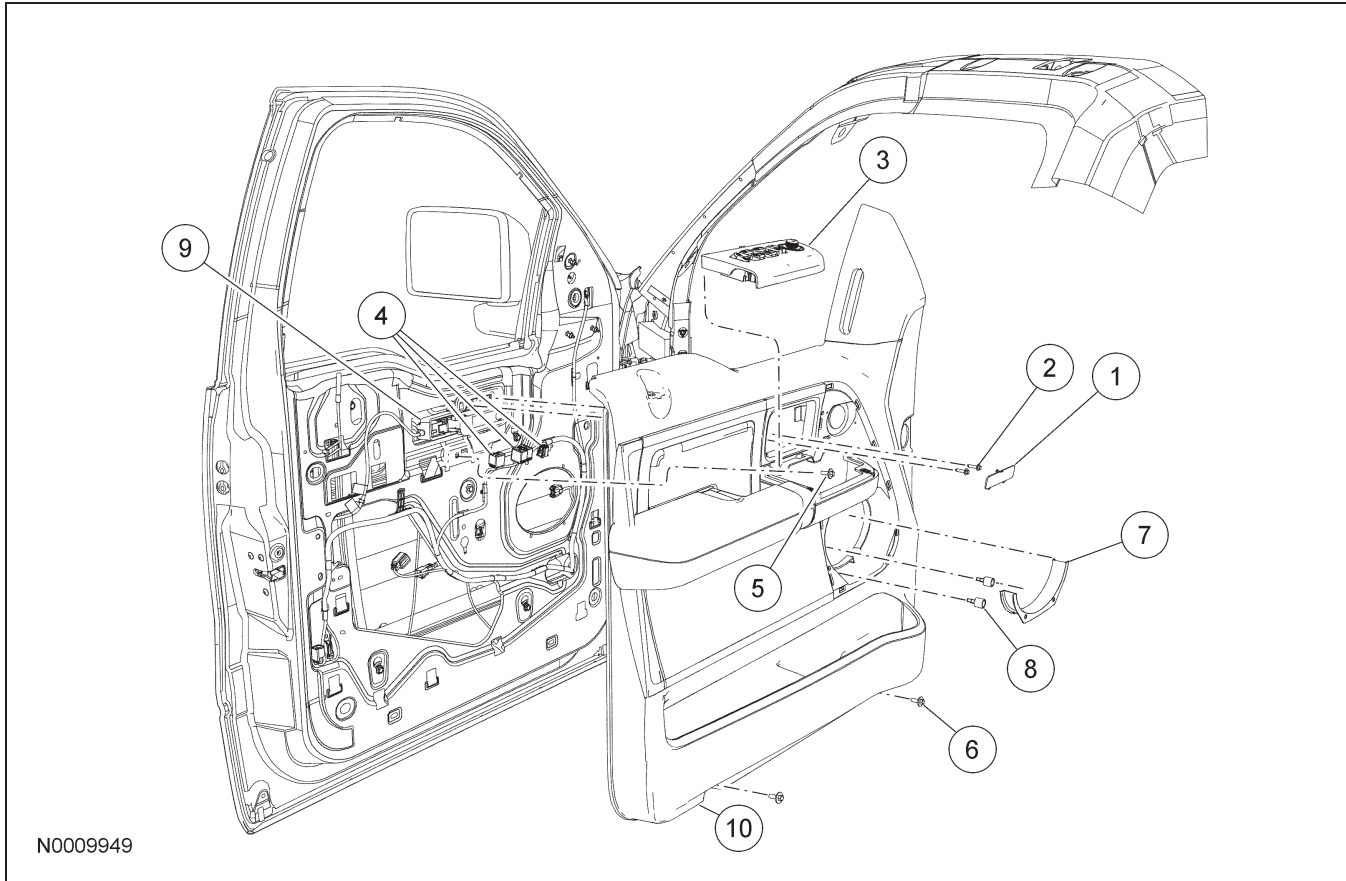


REMOVAL AND INSTALLATION

Door Trim Panel — Front



Item	Part Number	Description
1	224A60	Door handle cover plate
2	N602704	Door handle screw (2 required)
3	14B133B LH/ 14B132A RH	Window control switch
4	14631 LH/ 14630 RH	Window control switch electrical connectors
5	N807658	Bolt
6	W701930	Front door lower bolt (2 required)
7	19A034	Speaker watershield
8	W709132/ W709133	Speaker standoff (2 required) (High series trim/Low series trim)

(Continued)

Item	Part Number	Description
9	219A65 LH/ 219A64 RH	Front door handle
10	23943 LH/ 23942 RH	Front door trim panel

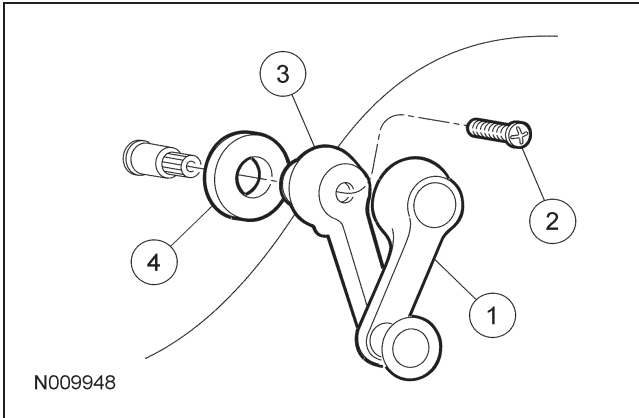
Removal and Installation

NOTE: LH side shown, RH side similar.

1. Remove the front door speaker. For additional information, refer to Section 415-00.
2. Remove the speaker watershield.
3. Remove the 2 speaker standoffs.

REMOVAL AND INSTALLATION (Continued)

4. If equipped, remove the window regulator handle.
 - 1 Separate the handle cover from the handle.
 - 2 Remove the screw.
 - 3 Remove the window regulator handle.
 - 4 Remove the spacer.



5. Remove the window control switch. For additional information, refer to Section 501-11.

6. Remove the bolt.
7. Remove the 2 front door lower bolts.
8. Remove the door handle cover plate.
9. Remove the 2 door handle screws.
10. Remove the front door handle.
 - Guide the door handle through the opening in the trim panel.
11. **⚠ CAUTION: Do not pull directly outward on the front door trim panel, as damage may occur.**
Remove the front door trim panel.
 - Lift upward to remove the front door trim panel.
12. To install, reverse the removal procedure.