

**Door Window Glass****Front****Removal**

1. Remove front door trim panel (23942) and front door trim shield (237A04). Refer to [Section 01-05](#).
2. Loosen front door glass run front retainer retaining screw and position front door glass run front retainer (21572) forward.
3. Lower front door window glass (21410) to gain access to two front door window channel bracket (23288) rivets and remove the center pins from rivets using a drift punch. Using a 1/4-inch diameter drill, drill out remainder of rivets.



**CAUTION:** Do not attempt to pry out the rivets as damage to the front door window glass could result.

**NOTE:** Prior to removing the rivet center pins, it is recommended that a suitable block support be placed between the door outer panel and the front door window channel bracket to stabilize the front door window glass during rivet removal.

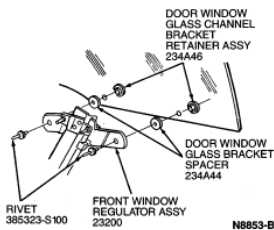
4. Remove front door window glass .

**Installation**

1. Insert front door window glass into front door (20124) between front door belt line outside weatherstrip (21452) and inner panel.
2. Position front door window glass into door frame and lower front door window glass to align with front door window channel bracket .
3. Install two 1/4-inch rivets using Rotunda Blind Fastener Installation Tool 107-00600 or equivalent (use of 1/4-20 X 1-inch screw and washer assemblies and 1/4-inch-20 nut and washer assemblies is optional). Equivalent metric fasteners may also be used.

**NOTE:** Torque must not exceed 9-14 Nm (7-10 lb-ft).

4. Adjust front door window glass as outlined.
5. Install front door trim shield and front door trim panel. Refer to [Section 01-05](#).

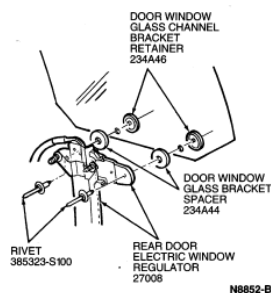
**Rear****Removal**

1. Remove rear door trim panel (27406) and watershield. Refer to [Section 01-05](#).
2. Remove rear door glass run front lower retainer (25796) as outlined.



**CAUTION:** Do not attempt to pry out the rivets as damage to the rear door window glass (25712) could result. Prior to removing rivet center pins, it is recommended that a suitable block support be placed between door outer panel and rear door window channel bracket to stabilize rear door window glass during rivet removal.

3. Lower rear door window glass to gain access to the two rear door window channel bracket retaining rivets and remove center pins from rivets using a drift punch. Using a 6.35mm (1/4-inch) diameter drill, drill out the remainder of the rivets.
4. Remove rear door window glass.



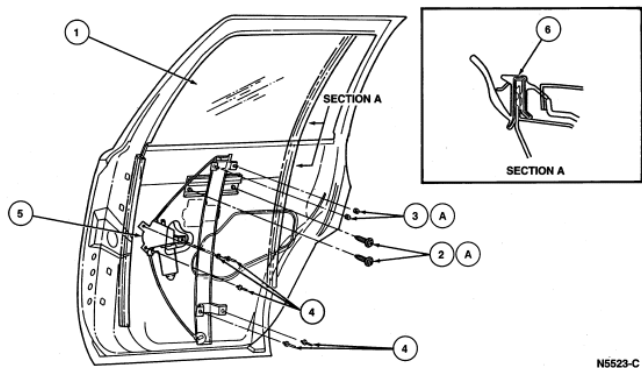
**Installation**

1. Insert rear door window glass into rear door (24631) between rear door glass outside weatherstrip (25596) and inner panel.
2. Position rear door window glass into rear door frame and lower rear door window glass to align with rear door electric window regulator (27008).
3. Install two 6.35mm (1/4-inch) rivets using Rotunda Blind Fastener Installation Tool 107-00600 or equivalent (use of 1/4-20 x 1 inch bolts is optional). Equivalent metric fasteners may also be used.

**NOTE: Torque must not exceed 9-14 Nm (7-10 lb-ft).**

4. Install rear door glass run front lower retainer as outlined.
5. Adjust rear door window glass as outlined.
6. Install rear door trim panel and watershield. Refer to [Section 01-05](#).

**Rear Door Glass**



Item	Part Number	Description
1	25712	Rear Door Window Glass
2A	N800510-S36	Screw and Washer Assy (2 Req'd)
3A	N621906-S36	Nut (2 Req'd)
4	802034-S36	Rivet (5 Req'd)
5	27008	Rear Door Electric Window Regulator
6	25860	Rear Door Glass Inside Weatherstrip

A Tighten to 9-14 Nm (7-10 Lb-Ft)

