

Trim Panels, Door**Front**

Town Car

The following procedure must be used during removal and installation of the door armrest and trim panel. Refer to the appropriate illustrations for component and vehicle model identification.

Removal

CAUTION: To avoid breakage of door pull cover(s), insert a screwdriver diagonally between pull strap and chrome bracket. Snap out both sides then remove.

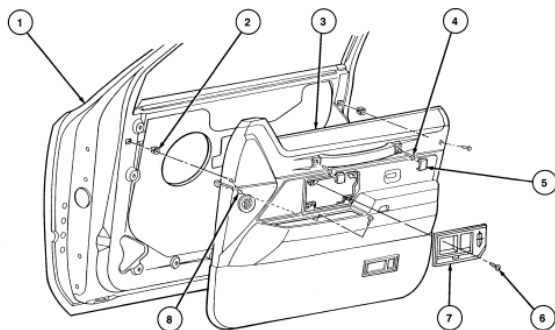
1. Snap out two door pull strap retaining screw covers. Remove screws.
2. Remove two screws on front and rear side of front door trim panel.
3. Using the Trim Pad Removing Tool from Rotunda Moulding/Trim Kit 107-00401 or equivalent, pry the trim panel retaining clips from the door inner panel.

NOTE: Do not use front door trim panel (23942) to remove trim clips from door inner panel. Replace any bent, damaged or missing push pins.

4. Remove window regulator control switch housing from back of front door trim panel . Lift up housing, remove retaining screws and disconnect all connectors.
5. Disconnect driver seat regulator control processor switch (driver door only) if equipped.
6. Twist out interior lamp wire assembly and remove the front door trim panel.

Installation

1. Ensure plastic watershield is secured to door panel.
2. Position front door trim panel to door. Connect interior lamp wiring.
3. Position the window regulator control switch housing and connect switch connectors.
4. Connect driver seat regulator control processor (14C708) (driver door only) if equipped.
5. Align door lock side to its mating slide on the sheet metal (front doors only)
6. Snap in front door trim panel . Ensure all retainers fit properly.
7. Install two retaining screws on front and rear side of front door trim panel .
8. Install two retaining screws and pull strap covers.



R6335-C

| Item | Part Number | Description |
|------|-------------|----------------------------------|
| 1 | — | Door |
| 2 | N803768 | Push In Clip (2 Req'd) |
| 3 | 23942 | Front Door Trim Panel |
| 4 | 56916-S36B | Screw and Round Washer (2 Req'd) |
| 5 | 22678 | Door Pull Cover (2 Req'd) |
| 6 | N610017-S2 | Screw (1 Req'd) |
| 7 | 517C91 | Cup |
| 8 | 56906-SW | Screw and Washer (2 Req'd) |

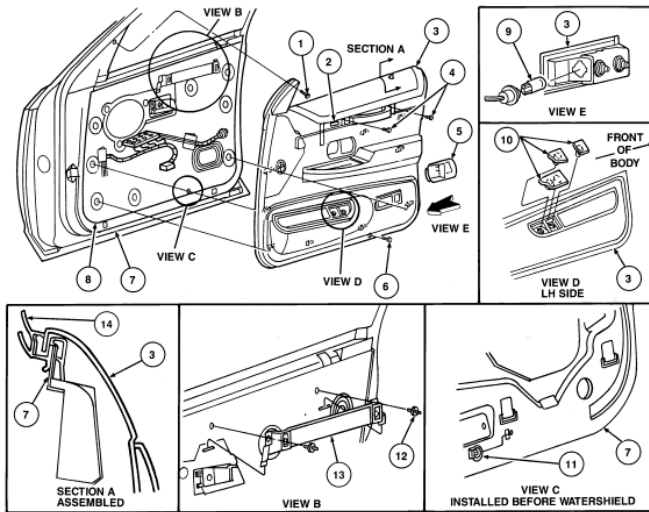
Crown Victoria/Grand Marquis

Removal

1. Remove outside rear view mirror remote control unit.
2. Remove window regulator control switch housing by gently prying up, starting at the front.
3. Disconnect all connectors from window regulator control switch housing.
4. Remove inside door handle cup (22634) by gently prying at screwdriver slot with a screwdriver.
5. Remove push pin from front door trim panel upper front extension and remove screw.
6. Remove lower self-tapping screw retaining front door trim panel to door inner panel.
7. On Grand Marquis only, pry up screw covers from door pull handle and remove screws and handle.
8. Lift front door trim panel upward and snap out trim panel.
9. Disconnect wire harnesses from door panel as required and remove front door trim panel .

Installation

1. Connect wire harnesses to front door trim panel as required.
2. Install front door trim panel by pushing in and down until it snaps into place.
3. Install all self-tapping screws retaining front door trim panel to door inner panel.
4. On Grand Marquis only, install door pull handle, tighten screws and install screw covers.
5. Install push pin covering screw on trim panel upper front extension.
6. Install inside door handle cup .
7. Install window regulator control switch housing.



R7163-B

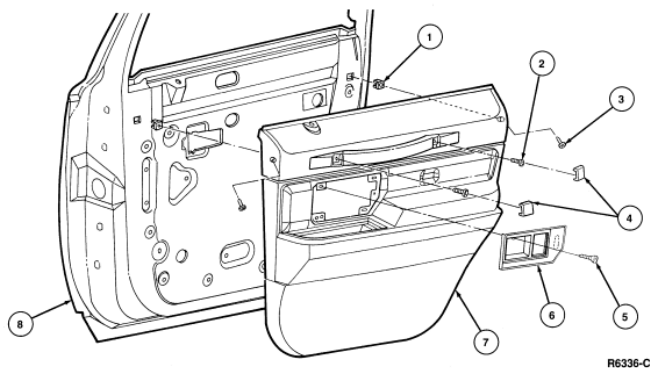
| Item | Part Number | Description |
|------|-------------|-------------------------------------|
| 1 | N804592-S58 | Screw (1 Req'd Each Side) |
| 2 | 19B114 | Radio Speaker Grille Name Plate |
| 3 | 23942 | Front Door Trim Panel |
| 4 | 55928-S58 | Screw (2 Req'd Each Side) |
| 5 | 22634 | Inside Door Handle Cup |
| 6 | N803247-S58 | Screw (1 Req'd Each Side) |
| 7 | 23942 | Front Door Trim Panel |
| 8 | 237A04 | Front Door Trim Shield |
| 9 | 13465 | Miniature Bulb |
| 10 | 23744 | Front Door Trim Panel Opening Cover |
| 11 | N806399-S58 | Nut (1 Req'd Each Side) |
| 12 | 388047-S101 | Rivet (2 Req'd Each Side) |
| 13 | 22684 | Front Door Pull Handle Support |
| 14 | 3110 | Weatherstrip |

Rear

Removal and Installation, Town Car

1. Snap out two door pull strap retaining screw covers and remove screws.
2. Remove two screws, one on front side of rear door trim panel (27406) and one on rear.
3. Remove screw retaining rear door inside handle cup. Remove rear door inside handle cup.
4. Using the trim pad removing tool from Rotunda Trim Kit 107-00401 or equivalent, pry trim panel retaining clips from rear door inner panel.
5. Disconnect any electrical connections from switches at trim panel if equipped, and remove rear door trim panel .
6. To install, reverse Removal procedure.

Door Trim Panel, Rear—Town Car



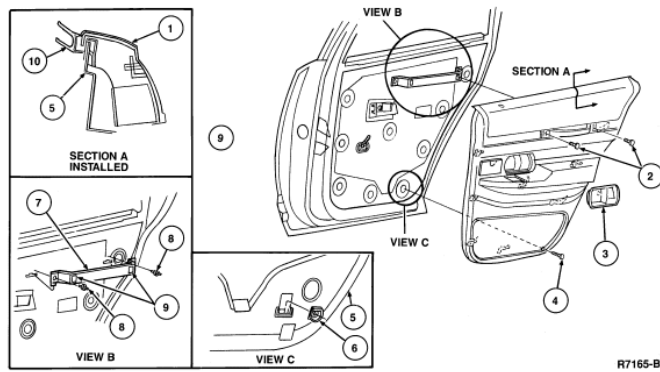
| Item | Part Number | Description |
|------|-------------|-------------------------------------|
| 1 | N803768 | Push-In Clip (2 Req'd Each Side) |
| 2 | 55931-S47 | Screw (2 Req'd Each Side) |
| 3 | 56906-SW | Screw (2 Req'd Each Side) |
| 4 | 22678 | Door Pull Cover (2 Req'd Each Side) |
| 5 | N610017-SW | Screw (1 Req'd) |
| 6 | 266A24 | Rear Inside Door Handle Cup |
| 7 | 27406 | Rear Door Trim Panel |
| 8 | — | Rear Door Assy |

Crown Victoria/Grand Marquis

Removal and Installation

1. Snap out two door pull strap retainer screw covers. Remove screws.
2. Remove one screw from lower rear door panel.
3. Remove screw retaining rear inside door handle cup . Remove rear door inside handle cup.
4. Using the Trim Pad Removing Tool from Rotunda Molding Trim Kit 10700401 or equivalent, pry trim panel retaining clips from rear door inner panel.
5. Disconnect any electrical connection from switches, if equipped, and remove rear door trim panel .
6. To Install, reverse Removal procedure.

Crown Victoria/Grand Marquis



R7165-B

| Item | Part Number | Description |
|------|-------------|-------------------------------|
| 1 | 27406 | Rear Door Trim Panel |
| 2 | 55928-S58 | Screw (2 Req'd Each Side) |
| 3 | 22634 | Inside Door Handle Cup |
| 4 | N804592-S58 | Screw (1 Req'd Each Side) |
| 5 | 74A30 | Rear Door Panel |
| 6 | N806399-S58 | Nut (1 Req'd Each Side) |
| 7 | 54266A02 | Rear Door Pull Handle Support |
| 8 | 388047-S101 | Rivet (2 Req'd Each Side) |
| 9 | N802539-S58 | Nut (2 Req'd Each Side) |
| 10 | 253A10 | Rear Door Body Weatherstrip |