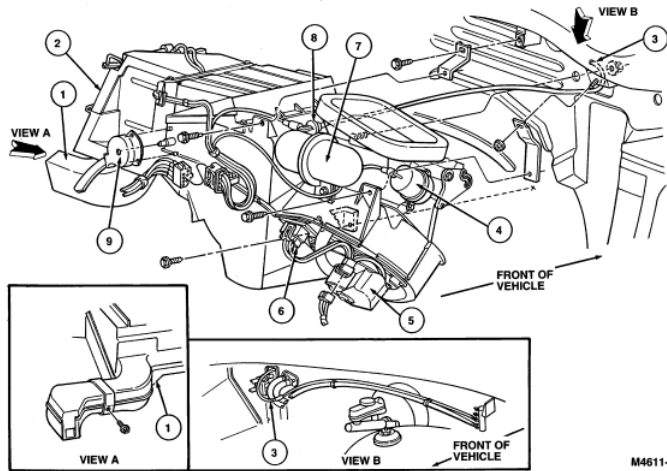


A/C Evaporator Housing

Removal and Installation

1. Disconnect battery ground cable (14301) .
2. Remove two console armrest mounting access covers (047A62) at rear of console panel (045A36) (snaps out) to gain access to armrest retaining bolts.
3. Remove four armrest-to-floor bracket retaining bolts and remove armrest assembly (snaps out of console).
4. Remove console panel gear shift plate (044G24) (snaps out). On vehicles equipped with manual transmissions, shift boot is attached to bottom of finish panel. Remove shift knob and slide boot and console panel gear shift plate up shift lever to remove.
5. To remove top finish panel position emergency brake lever in the UP position. Remove four retaining screws and lift top finish panel up. Disconnect necessary wire connectors.
6. Remove two console-to-rear floor bracket retaining screws.
7. Insert a small screwdriver into two notches at bottom of front upper finish panel and snap out.
8. If the vehicle has a radio chassis (18806) , the radio chassis must be removed. Refer to [Section 15-01](#). If the vehicle doesn't have a radio chassis , use a small screwdriver and pry radio cover finish panel out of console.
9. Flex glove compartment bin tabs inward. Drop down glove compartment (06010) assembly. Remove two console-to-instrument panel retaining screws.
10. Remove four console bracket retaining screws. Remove console panel from vehicle.
11. Remove three bolts retaining steering column opening cover (3A673) and reinforcement panel. Remove cover.
12. Remove steering column opening reinforcement by removing two bolts.
13. Remove two bolts retaining steering column opening reinforcement and remove reinforcement.
14. Remove six steering column retaining nuts (two retaining the hood release mechanism and four retaining column to lower brake pedal support). Lower steering column to floor.
15. Remove upper and lower steering column shrouds (3530) and disconnect wiring from turn signal and windshield wiper switch (13K359) .
16. Remove steering column through bolt and nut on engine compartment side of cowl panel. Remove steering column from vehicle.
17. Remove brake pedal support nut.
18. Snap out instrument panel defroster opening grille (044E82) .
19. Remove screws from speaker covers. Snap out speaker covers.
20. Remove front screws retaining RH and LH scuff plates at cowl side trim panels.
21. Remove RH and LH cowl side trim panels.
22. Disconnect wiring at RH cowl side.
23. Remove cowl side retaining bolts (one each side).
24. Remove five cowl top screws attachments.
25. Gently pull instrument panel (04320) away from RH side of cowl panel. Disconnect speedometer cable, air conditioning controls and wire connectors.
26. Place a drain pan or suitable container under the heater water hose connections at the cowl panel.
27. Disconnect heater water hoses (18472) from heater core tubes and plug heater water hoses with suitable 5/8-inch and 3/4-inch plugs. Cap heater core tubes to prevent coolant loss from heater core (18476) during removal of heater case.
28. Remove screw retaining A/C evaporator case support bracket (19A639) to cowl top panel.
29. Disconnect vacuum supply supply hose (black) from A/C vacuum supply in engine compartment.
30. Working under the hood (16612) , remove nut retaining heater case to cowl panel.
31. Inside passenger compartment, remove screw retaining A/C evaporator case mounting bracket (19A865) to cowl top panel.
32. Remove one screw retaining A/C evaporator case mounting bracket below heater case to cowl panel.
33. Carefully pull heater case from cowl panel and remove heater case assembly from vehicle.
34. To install, reverse Removal procedure. Check operation of all components.
35. After repairs have been completed, check the coolant level in the radiator (8005) and in the radiator coolant recovery reservoir (8A080) . Fill as required with the recommended coolant mixture.

Heater Case Removal



M4611-A

Item	Part Number	Description
1	18C433	Heater Outlet Floor Duct
2	19850	A/C Evaporator Housing
2	—	Heater Case
3	—	To Vacuum Source
4	18A318	Heater Air Inlet Duct Door (18A318)
5	19805	A/C Blower Motor
6	18591	Heater Blower Motor Switch Resistor
7	—	Vacuum Tank (Part of 18454)
8	—	Check Valve (Part of 18454)
9	19988	A/C Temperature Cable