



[Home](#) | [Account](#) | [Contact ALLDATA](#) | [Log Out](#) | [Help](#)

METRO TOYOTA

[Select Vehicle](#) | [New TSBs](#) | [Technician's Reference](#)

Component Search:

OK



[Conversion Calculator](#)

1998 Volvo S70 T5 L5-2.3L Turbo VIN 53 B5234T3

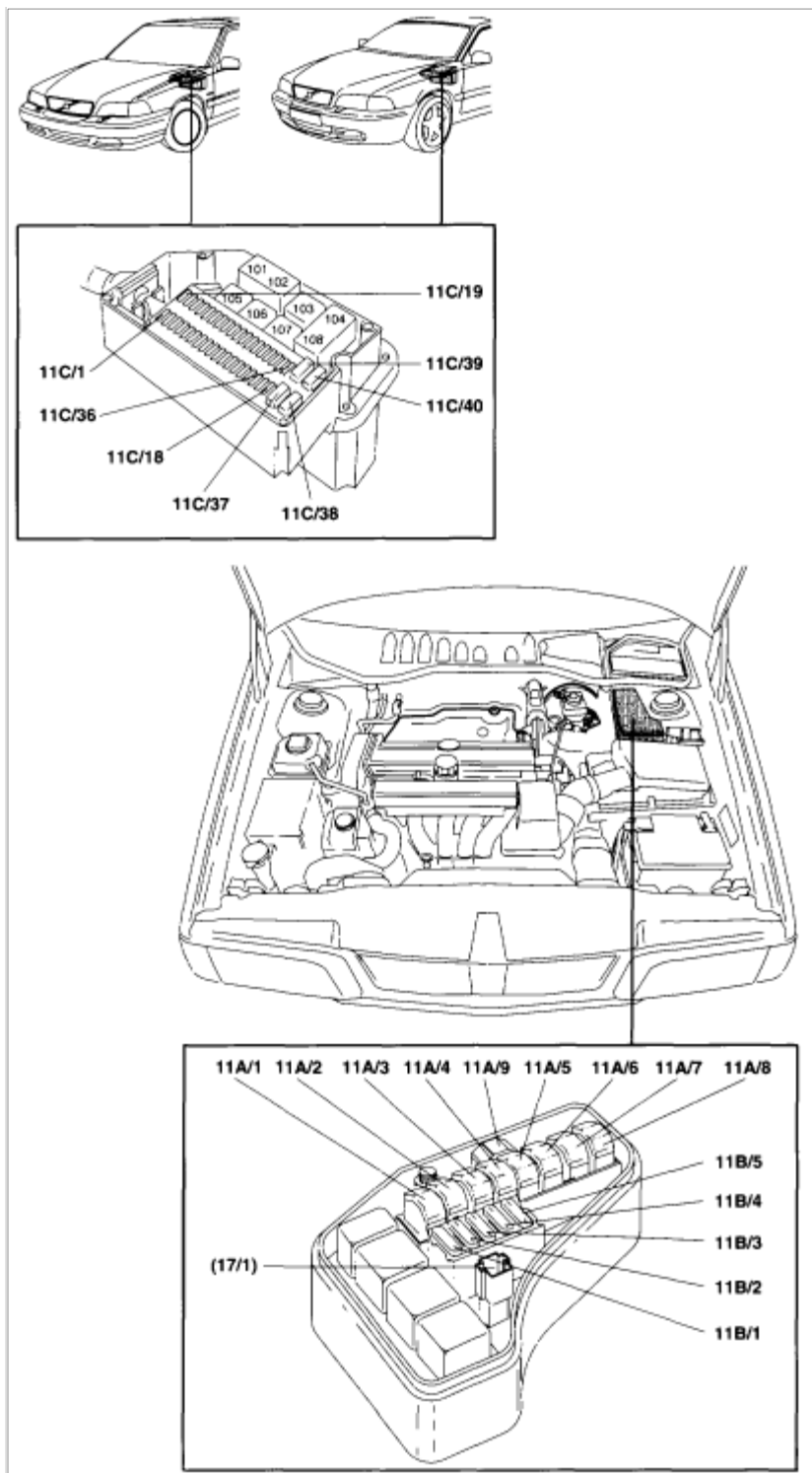
[Vehicle Level](#) → [Diagrams](#) → [Fuse and Fusible Links](#) ←

Fuse and Fusible Links

[Notes](#)

Fuse/Relay Identification and Location

Fuses



Zoom

Sized for Print

Fuses 11A/1 To 11A/9 & 11B/1 To 11B/5 In Relay Fusebox In Engine Compartment

Fuses, 11A/1-9, in relay/fuse box in engine compartment

No.	Fuse function	A
11A/1	Engine cooling fan (FC)	60
11A/2	Fuses 11C/26-29 via overload relay 15I, Fuses 11C/33-37 via overload relay X	50
11A/3	Starter motor, Pulsed secondary air injection system (PAIR) pump, Diesel heater plugs coolant	50
11A/4	ABS control module	50
11A/5	Main headlamp relay with bulb failure warning sensor	50
11A/6	Fuses 11C/5-10	60
11A/7	Fuses 11C/11-17 and Fuses 11C/39-40	50
11A/8	Fuse 11B/1, Fuses 11B/2-5 via main relay fuel injection system	60
11A/9	Glow plugs 1-5 via Glow plug relay (Diesels)	80

Fuses, 11B/1-5, in relay fusebox in engine compartment

No.	Fuse function	A
11B/1	Ignition switch, Engine control module (ECM), Control module AW 50-42, Main relay fuel injection system (Motronic 4.3/4.4)	10
11B/2	Engine control module (ECM), Injectors, Idle air control (IAC) valve, Mass air flow (MAF) sensor, Fuel injection pump (Diesel), Injection timing valve (Diesel)	10
11B/3	Fuel pump (FP), Ignition discharge module (IDM) and ignition coil, Glow plug relay (Diesel), Heater plug coolant (Diesel), Turbocharger (TC) control valve (Diesel), EGR converter (Diesel), PTC resistor air preheating (Diesel)	20 (15 Diesel)
11B/4	Control module AW 50-42	10
11B/5	Air conditioning (A/C) relay, Heated oxygen sensor (HO2S) front, Heated oxygen sensor back, Canister purge (CP) valve, Solenoid valve pulsed secondary air injection system (PAIR), EVAP canister shut-off valve, Pulsed secondary air injection system (PAIR) pump relay, Turbocharger (TC) control valve, PTC resistor air preheating	10

Zoom

Sized for Print

Fuses 11C/1 To 11C/40 In The Central Electrical Unit

Fuses, 11C/1-40, in the central electrical unit

No.	Fuse function	A
11C/1	-	-
11C/2	Control module central locking/anti-theft alarm, Mode selector AW 50-42, Control module RTI	10
11C/3	ABS control module	10
11C/4	Immobilizer	10
11C/5	Climate control, Data link connector (DLC)	15
11C/6	control module central locking/anti-theft alarm, Alarm siren, Movement detector (S70/V70)	20
11C/7	Radio/Amplifier	15
11C/8	Immobilizer, Combined instrument panel, Light switch	15
11C/9	Heated rear seat (S70/V70), Amplifier (C70)	20
11C/10	Ignition switch	15
11C/11	Stop (brake) lamp	10
11C/12	Engine coolant heater (Diesel), Amplifier (C70)	20
11C/13	Turn signal lamp/Hazard warning signal flasher, Headlight flash, Control module central locking/anti-theft alarm, Remote controlled central locking/anti-theft alarm, Glass breakage sensor	15
11C/14	Heated rear windshield, Heated door mirrors	30
11C/15	Courtesy lighting, Glove compartment lighting, Footwell courtesy lighting, Door open warning lamps, Cargo compartment lighting, Seat belt reminder, Control module RTI, CD-player RTI, Display RTI	10
11C/16	Power antenna, CD player, Trailer output socket (S70/V70), Accessories, Tow hitch (C70)	30
11C/17	Front fog lamps	20
11C/18	Key warning, Control module central locking/anti-theft alarm	10
11C/19	Left high beam, Accessory	15
11C/20	Right high beam, High beam warning lamp	15
11C/21	Left low beam	15
11C/22	Right low beam	15
11C/23	Parking lamps, Tail lamp, License (number) plate lighting	10
11C/24	Parking lamps, Tail lamp, Bulb failure warning sensor	10
11C/25	Fog tail lamp, Tail fog lamp indicator lamp	10
11C/26	Light switch	15
11C/27	Back-up (reversing) lamp, Turn signal lamp	15
11C/28	Heated seats, Heated rear seat (S70/V70)	25
11C/29	<i>15-rail (15/4):</i> Rear demist, Heated door mirrors, Seat belt reminder, Cruise control, Bulb failure warning sensor Germany, Alarm siren, Shift lock, Exhaust temperature sensor, Engine coolant heater (Diesel), Tow hitch (C70)	10
11C/30	Cigarette lighter/12V front outlet, Control module RTI, CD-player RTI, Display RTI	15
11C/31	Climate control	25
11C/32	Radio/Amplifier	10
11C/33	<i>X-rail(15/8):</i> Beam width control, rear windshield wash/wipe	15
11C/34	Horn, Windshield wash/wipe, Headlamp wash/wipe, Horn	25
11C/35	Instrument and control panel lighting, ashtray lighting, Power sun roof, (Accessories), Rear view mirror (C70)	10
11C/36	Cigarette lighter/12V outlet back, Power seats	15

Automatic fuses

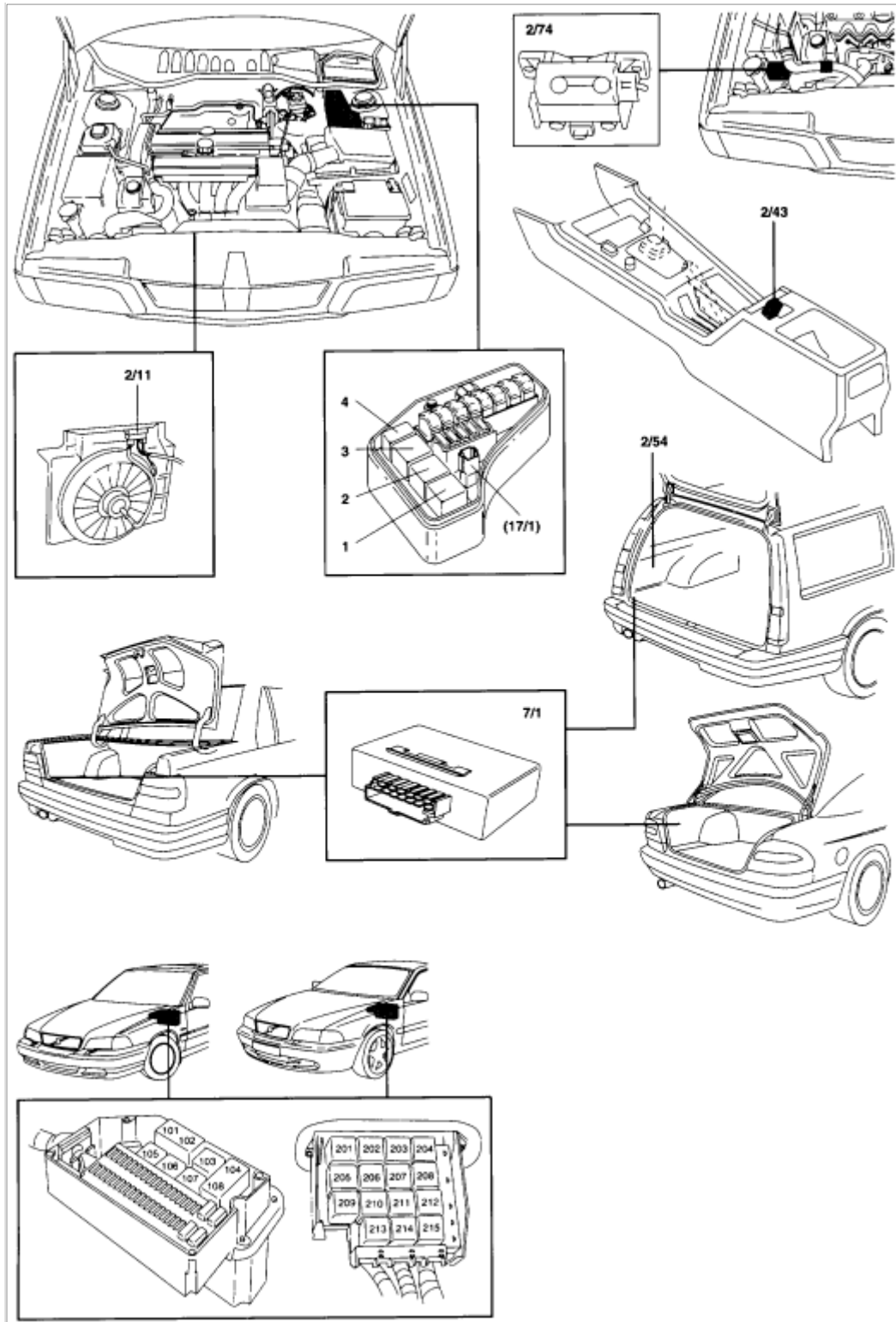
11C/37	Power windows, Power sunroof
11C/38	-
11C/39	Left power seat
11C/40	Right power seat

Zoom

Sized for Print

Relays

Panel Locations



Zoom

Sized for Print

Relays In The Relay/Fusebox In The Engine Compartment

1	Main relay fuel injection system (2/32)
2	Relay, pulsed secondary air injection system (PAIR) pump (2/53) (S70/V70) Alternatively Glow plug relay (diesels) (2/14)
3	Relay starter motor (2/35)
4	Relay A/C (2/22)

Zoom

Sized for Print

Relays In Central Electrical Unit	
101-102	Control module, cruise control (4/3)
103	Relay fuel pump (FP) (2/23)
104, 108	Headlamp relay with bulb failure warning sensor (2/1)
105	Overload relay X-supply (2/30)
106	Overload relay 15I-supply (2/6)
201	Fog lamp relay (2/2)
202	Relay alarm horn (2/77)
203	Intermittent wiper relay (2/4)
204	Intermittent wiper relay rear windshield (2/16)
205	Relay left heated seat (2/56) (C70)
206	Relay right heated seat (2/57) (C70)
207	Relay exhaust temperature switch (2/15)
208	Relay heated rear windshield/door mirrors (2/44)
212	Relay seat belt reminder/key warning (2/5)
213	Front fog lamps, bridge (34/13)

Zoom

Sized for Print

Other Relays

2/11 Relay engine coolant fan (FC)

2/43 Relay heated rear seat (S70/V70)

2/54 Relay coolbox (V70)

2/74 Relay heating plugs coolant (Diesel)

7/1 Bulb failure warning sensor rear



[Home](#) | [Account](#) | [Contact ALLDATA](#) | [Log Out](#) | [Help](#)

METRO TOYOTA

[Select Vehicle](#) | [New TSBs](#) | [Technician's Reference](#)

Component Search:

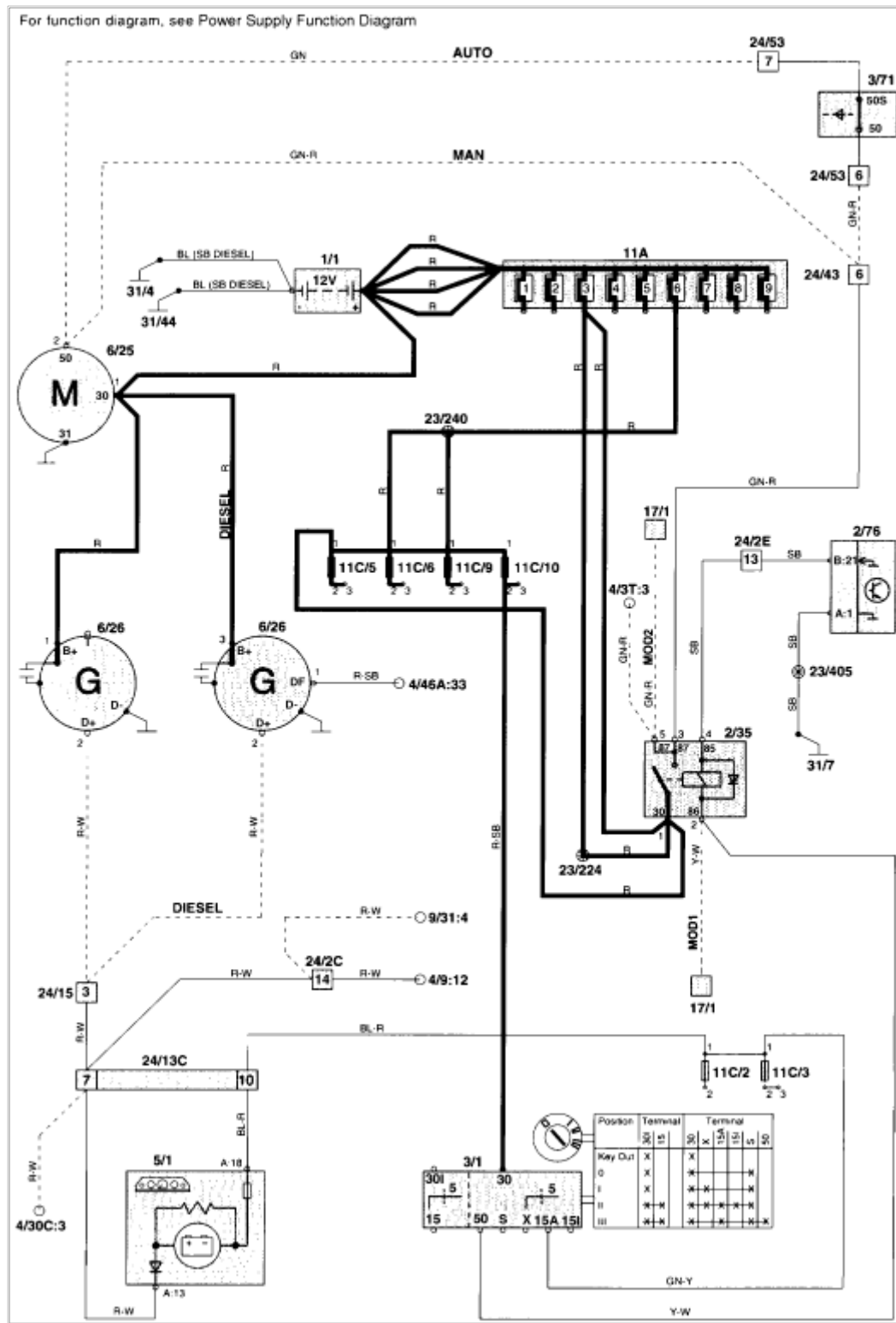
 [Conversion Calculator](#)

1998 Volvo S70 T5 L5-2.3L Turbo VIN 53 B5234T3

[Vehicle Level](#) → [Power and Ground Distribution](#) → [Diagrams](#) → [Electrical Diagrams](#) → [Power Supply](#) ←

Power Supply

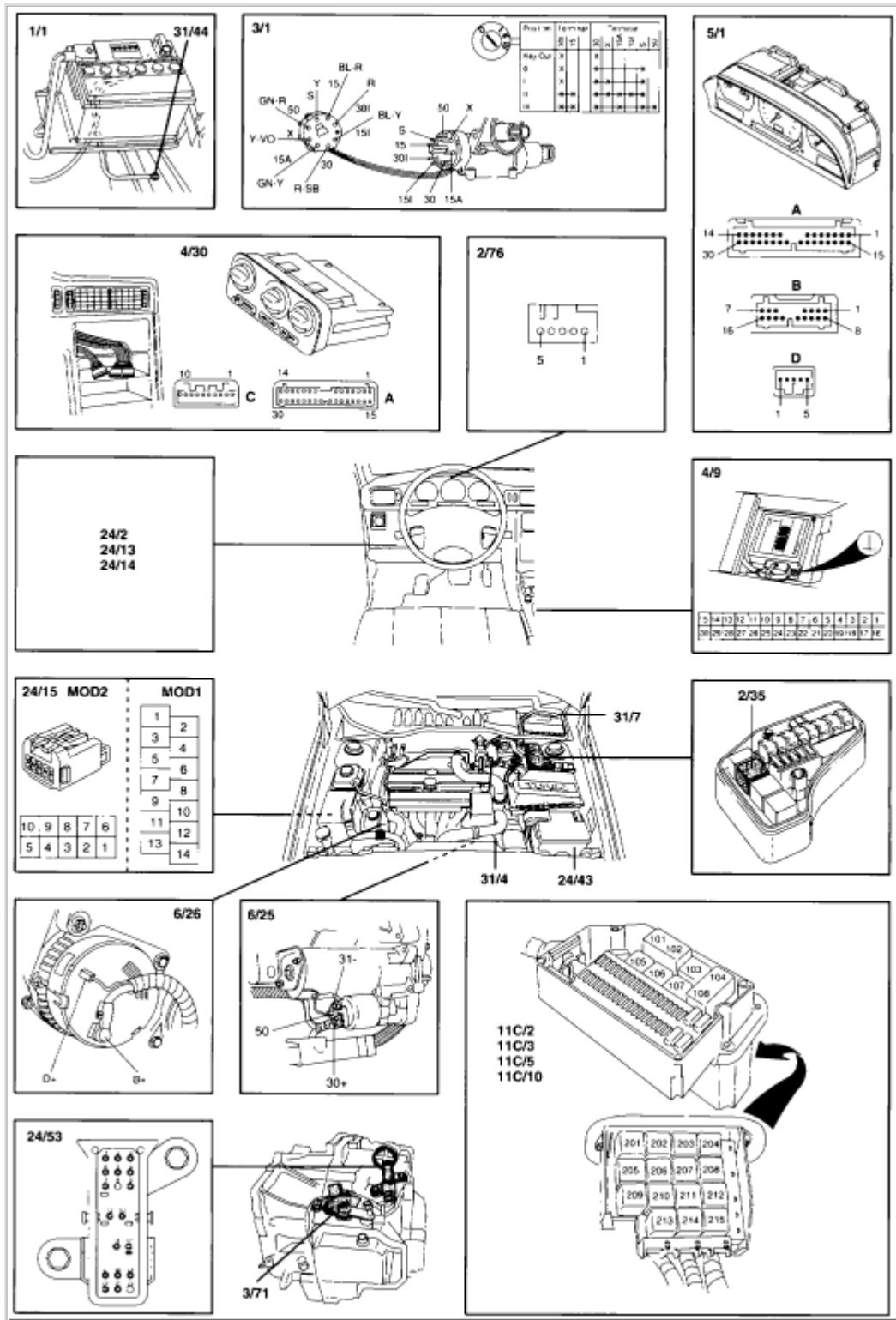
[Notes](#)



Zoom

Sized for Print

Wiring Diagram



Zoom

Sized for Print

Component Location

Component I.D. List

11C/1-40 Fuses

- 1/1 [Battery](#)
- 2/35 Starter motor relay
- 2/76 Central locking/anti theft alarm (lock/alarm) control module
- 3/1 [Ignition switch](#)
- 3/71 Gear position sensor
- 4/9 SRS Supplemental Restraint System Crash Sensor
- 4/30 ECC climate control module
- 5/1 Combined instrument panel
- 6/25 [Starter motor](#)
- 6/26 Generator
- 24/2 Connector Firewall cable harness - Engine compartment harness
- 24/13 Connector Dashboard harness - Engine compartment harness
- 24/14 Connector Left door sill harness - Engine compartment harness
- 24/15 14-pin connector Engine compartment harness - engine harness
- 24/43 8-pin connector Engine compartment harness - engine harness
- 24/53 26-pin connector Engine harness - AW 50-42
- 31/4 Engine ground point (ground terminal - [battery](#)-engine)
- 31/7 Ground terminal driver's side A post
- 31/44 Engine compartment ground point ([battery](#) ground terminal - body)