

Select Vehicle | New TSBs | Technician's Reference

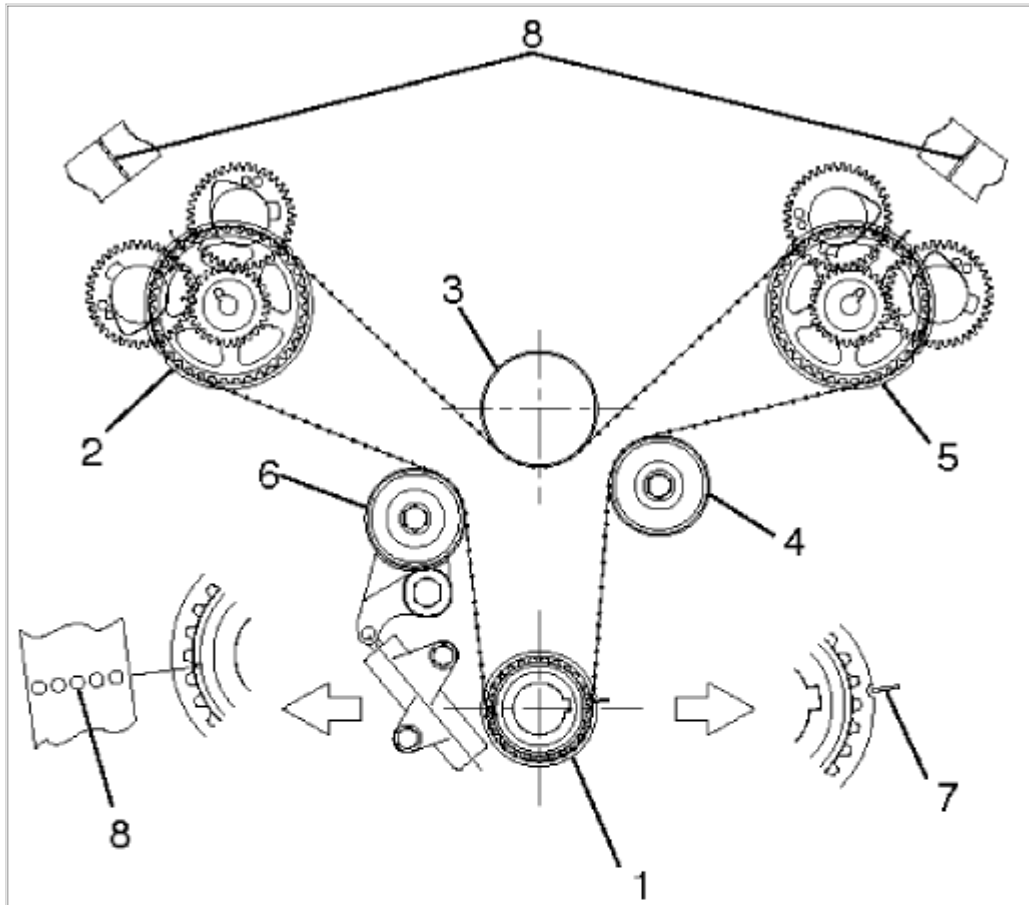
Component Search:

**2001 Isuzu Truck Rodeo LS 2WD V6-3.2L**

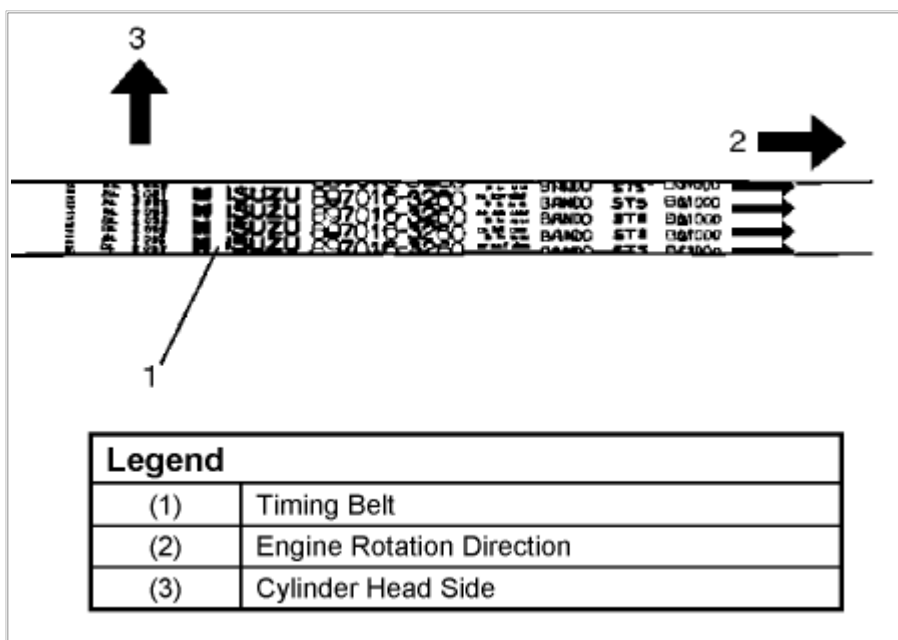
[Vehicle Level](#) → [Engine, Cooling and Exhaust](#) → [Engine](#) → [Timing Component Alignment Marks](#) → [Locations](#) ←

**Locations**

[Notes](#)

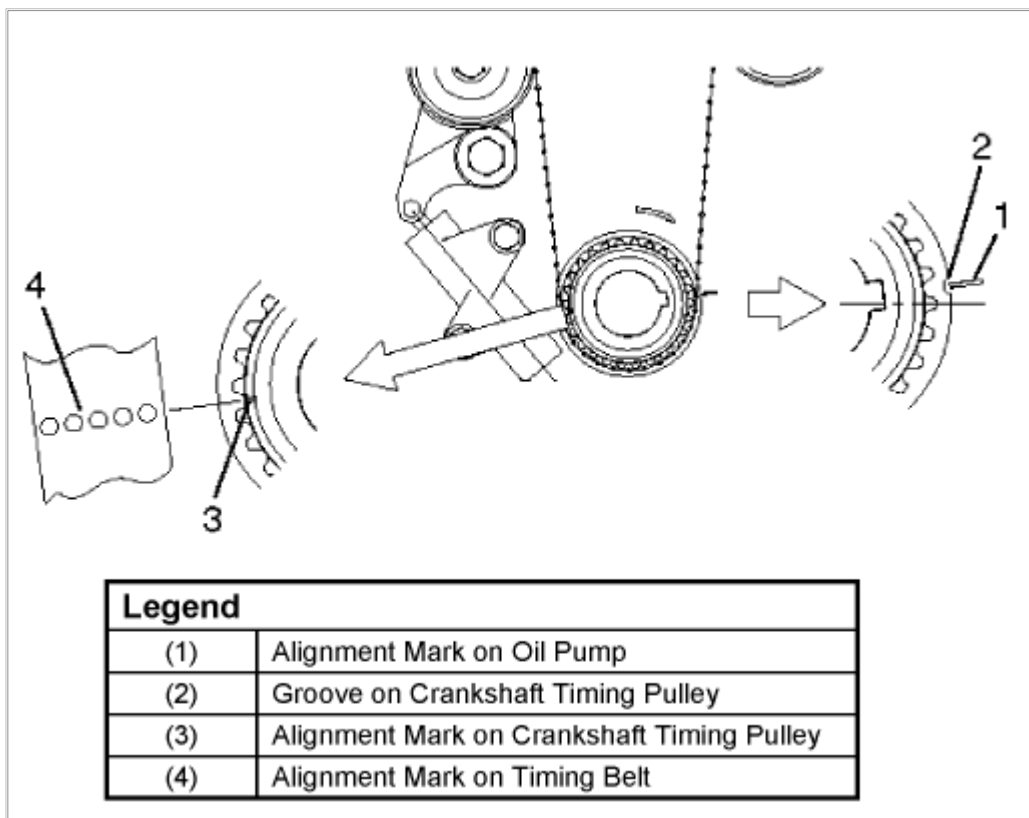


Legend	
(1)	Crankshaft Timing Pulley
(2)	RH Bank Camshaft Drive Gear Pulley
(3)	Water Pump Pulley
(4)	Idle Pulley
(5)	LH Bank Camshaft Drive Gear Pulley
(6)	Tension Pulley
(7)	Alignment Mark on Oil Pump.
(8)	Alignment Mark on Timing Belt



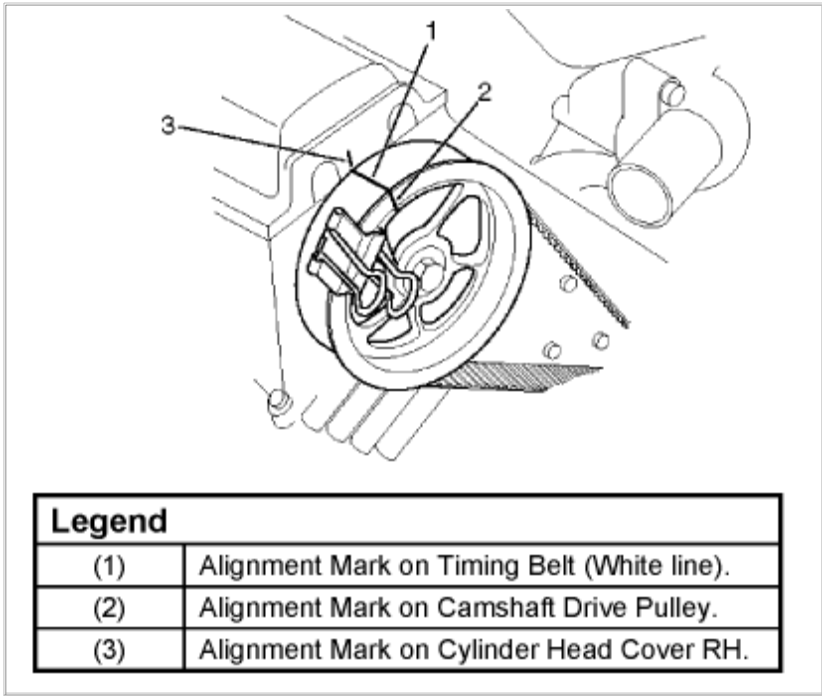
Zoom

Sized for Print



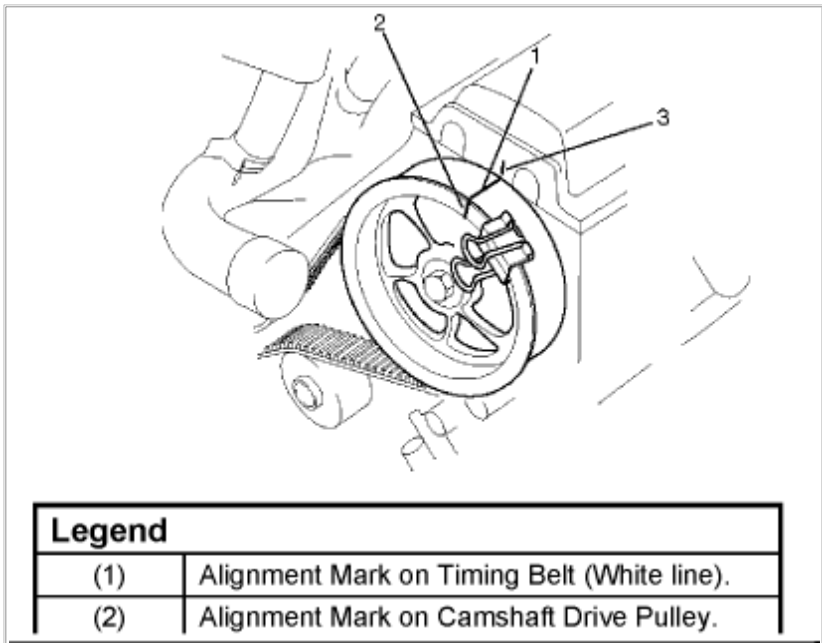
Zoom

Sized for Print



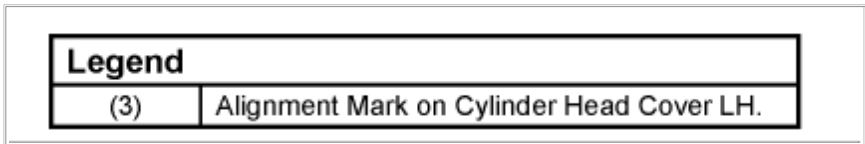
Zoom

Sized for Print



Zoom

Sized for Print



Zoom

Sized for Print

**CAUTION:** Incorrect removal or installation of the timing belt can result in damage to internal engine components.

For complete Timing Belt Removal and Installation information: [See: Timing Belt Service and Repair](#)

© 2008 ALLDATA LLC. All rights reserved.

[Terms of Use](#)

[Home](#) | [Account](#) | [Contact ALLDATA](#) | [Log Out](#) | [Help](#)

METRO TOYOTA

[Select Vehicle](#) | [New TSBs](#) | [Technician's Reference](#)

Component Search:

OK

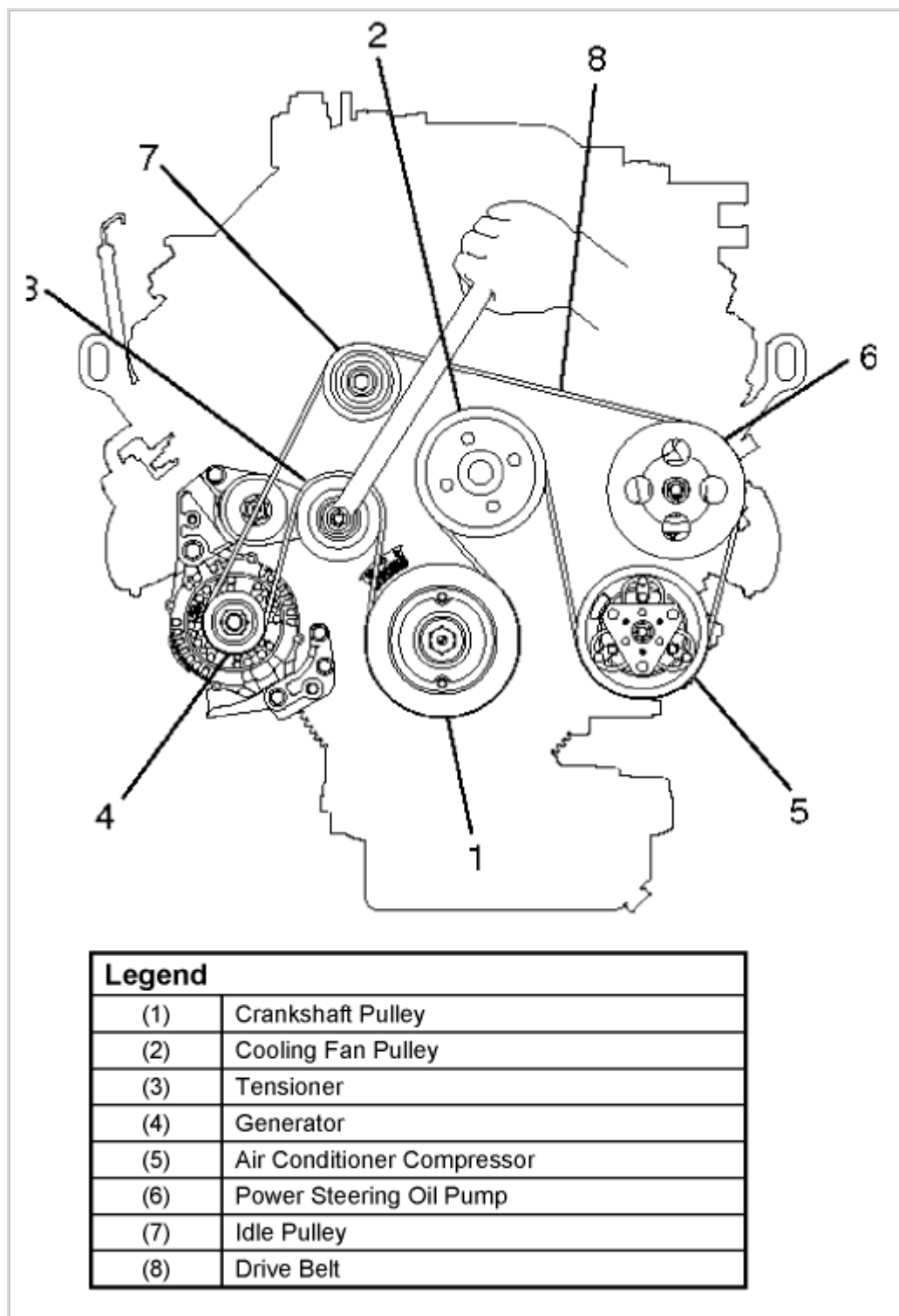
 Conversion Calculator**2001 Isuzu Truck Rodeo LS 2WD V6-3.2L**[Vehicle Level](#) → [Engine, Cooling and Exhaust](#) → [Engine](#) → [Timing Belt](#) → [Service and Repair](#) ←

## Service and Repair

[Notes](#)

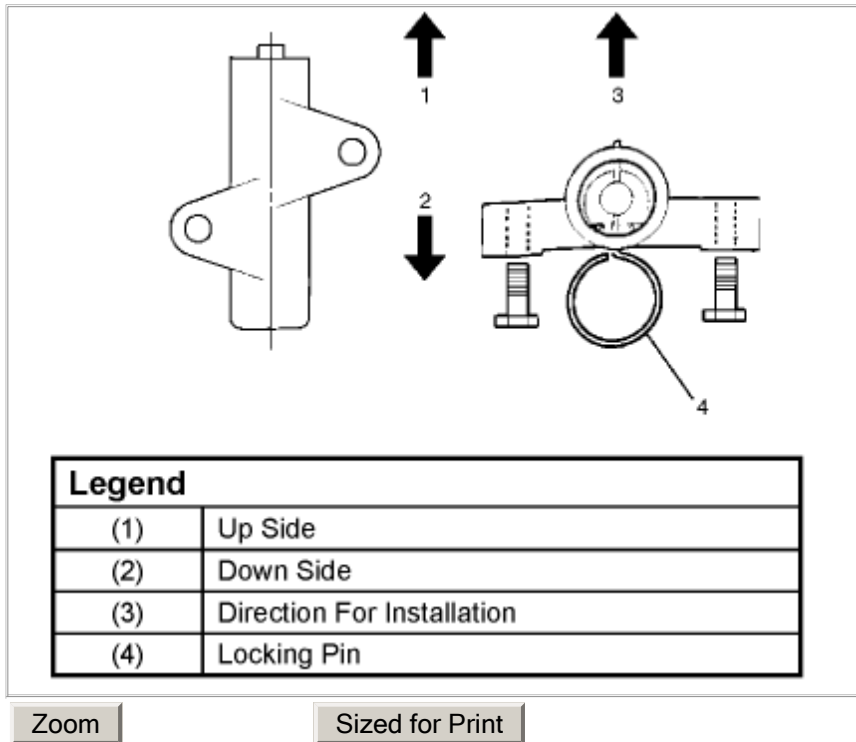
### Removal

1. Disconnect battery ground cable.
2. Remove air cleaner assembly.
3. Remove radiator upper fan shroud from radiator.

[Zoom](#)[Sized for Print](#)

4. Move drive belt tensioner to loose side using wrench then remove [drive belt](#).
5. Remove cooling fan assembly four nuts, then the cooling fan assembly.
6. Remove cooling fan drive pulley assembly.
7. Remove idle pulley assembly.

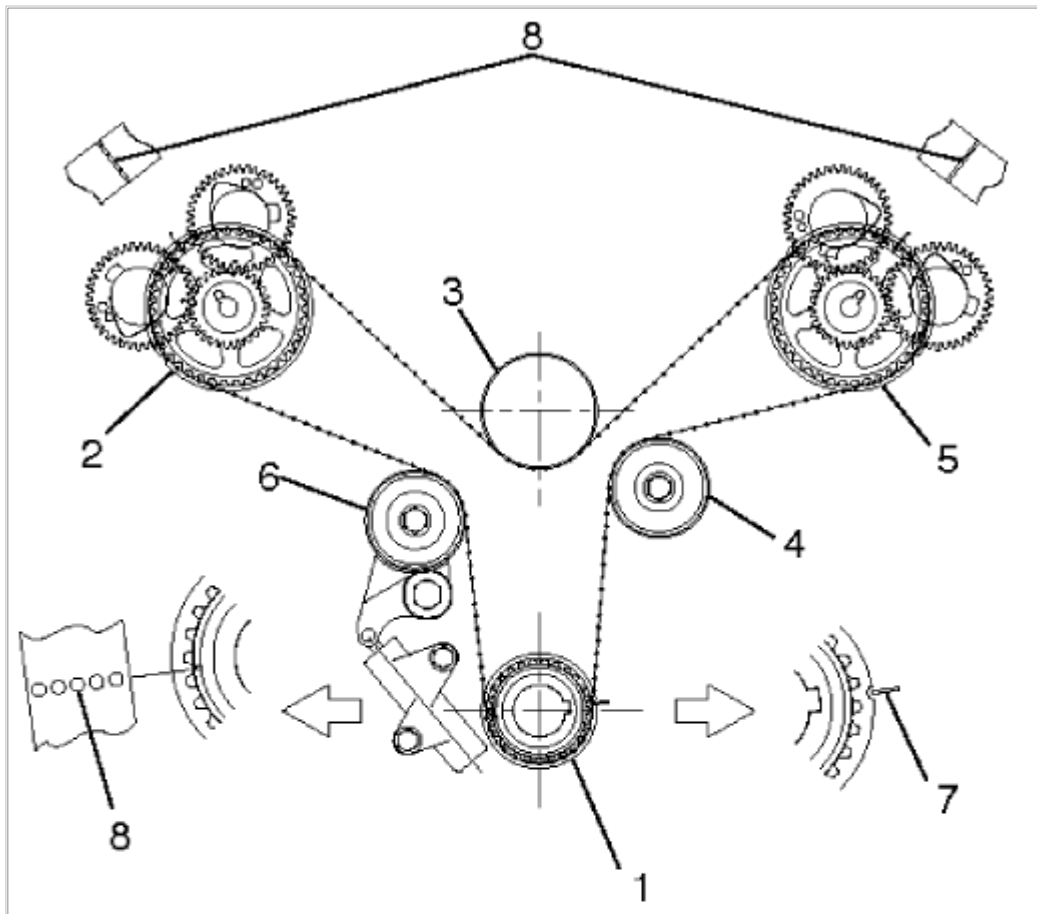
8. Remove serpentine belt tensioner assembly.
9. Remove power steering pump assembly.
10. Remove crankshaft pulley assembly using J-8614-01 crankshaft holder, hold crankshaft pulley remove center bolt, then the pulley.
11. Remove right side timing belt cover then left side timing belt cover.
12. Remove lower timing belt cover
13. Remove pusher.



**Caution:** The pusher prevents air from entering the oil chamber. Its rod must always be facing upward.

14. Remove timing belt. **Caution:**

1. Do not bend or twist the belt, otherwise its core could be damaged. The belt should not be bent at a radius less than 30 mm.
2. Do not allow oil or other chemical substances to come in contact with the belt They will shorten the life.
3. Do not attempt pry or stretch the belt with a screw driver or any other tool during installation.
4. Store timing belt in a cool and dark place. Never expose the belt direct sunlight or heat

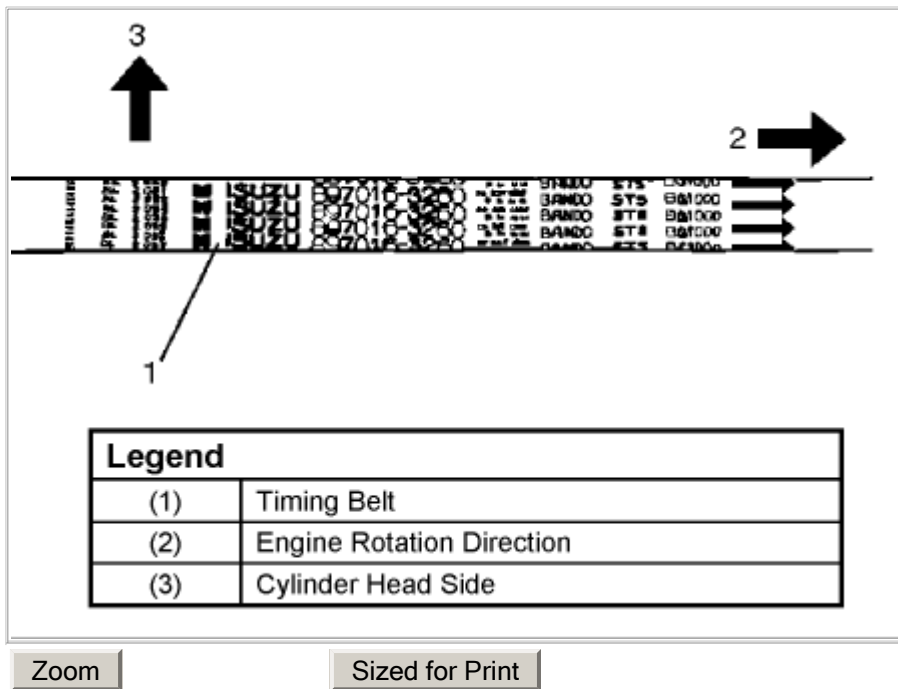


Legend	
(1)	Crankshaft Timing Pulley
(2)	RH Bank Camshaft Drive Gear Pulley
(3)	Water Pump Pulley
(4)	Idle Pulley
(5)	LH Bank Camshaft Drive Gear Pulley
(6)	Tension Pulley
(7)	Alignment Mark on Oil Pump.
(8)	Alignment Mark on Timing Belt

Zoom

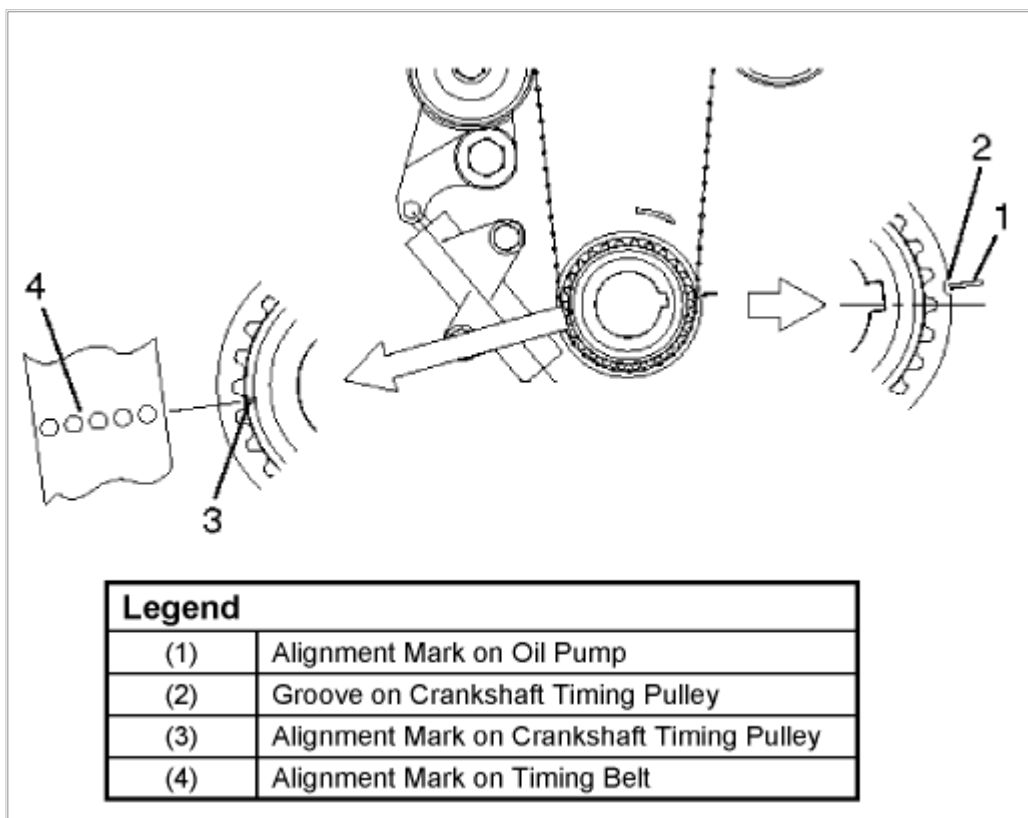
Sized for Print

**Installation**



**Note:** For correct belt installation, the letter on the belt must be able to be read as viewed from the front of the vehicle.

1. Install timing belt.

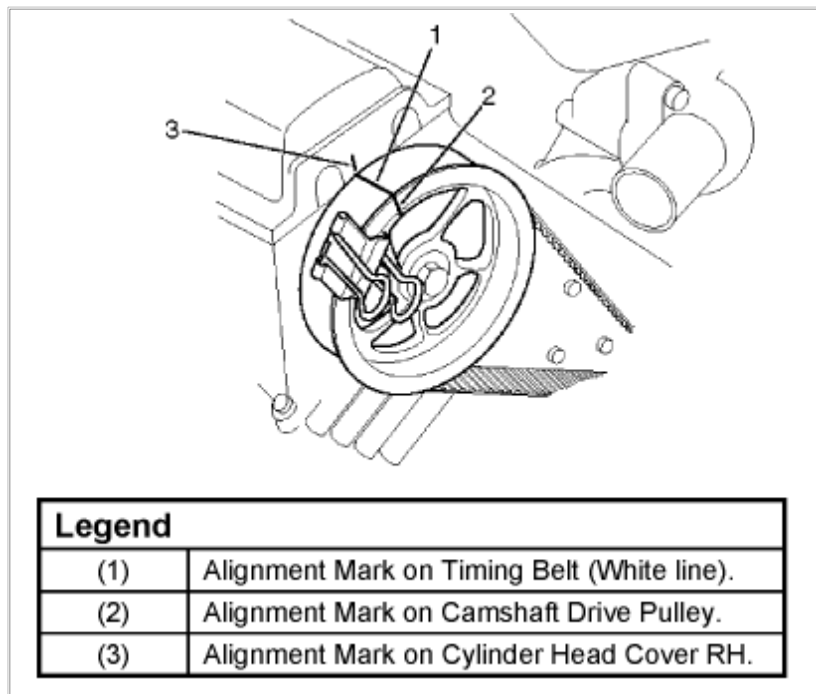


[Zoom](#)[Sized for Print](#)

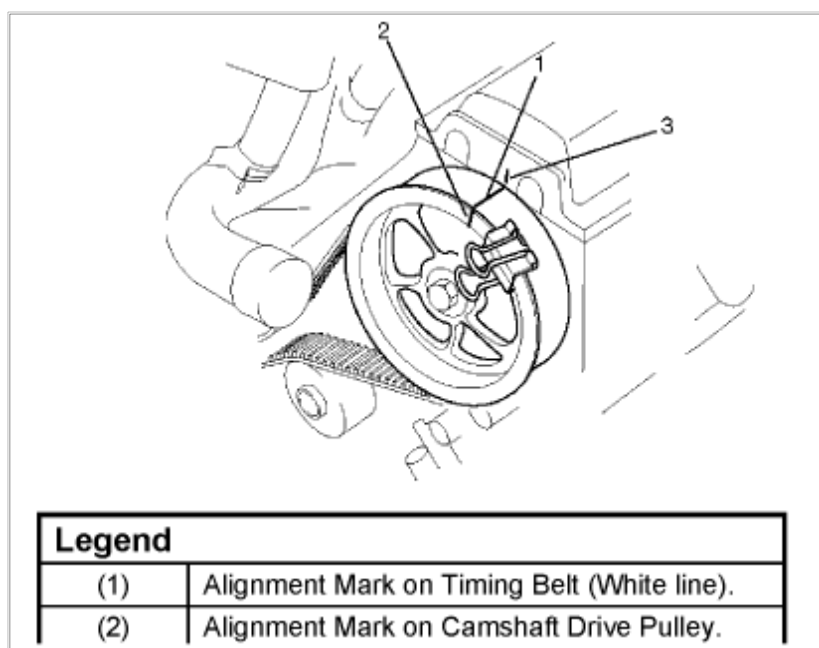
- 1 Align groove of crankshaft timing pulley (2) with mark on oil pump (1).  
Align the mark on the crankshaft timing pulley (3) with alignment mark (white dots line) on the timing belt (4). Secure the belt with a double clip.

**Note:** When timing marks are aligned, No.2 piston will be on top Dead Center.

- 2 Align the alignment mark on the RH bank camshaft drive pulley (2) to the alignment mark of the cylinder head cover RH (3).

[Zoom](#)[Sized for Print](#)

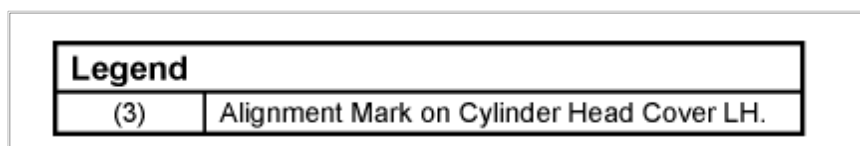
- 3 Align the alignment mark (white line) on the timing belt (1) with alignment mark on the RH bank camshaft drive pulley (2) (on the left side as viewed from the front of the vehicle) and put the timing belt on the camshaft drive pulley. Secure the belt with a double clip or equivalent clip.



Zoom

Sized for Print

1 of 2



Zoom

Sized for Print

2 of 2

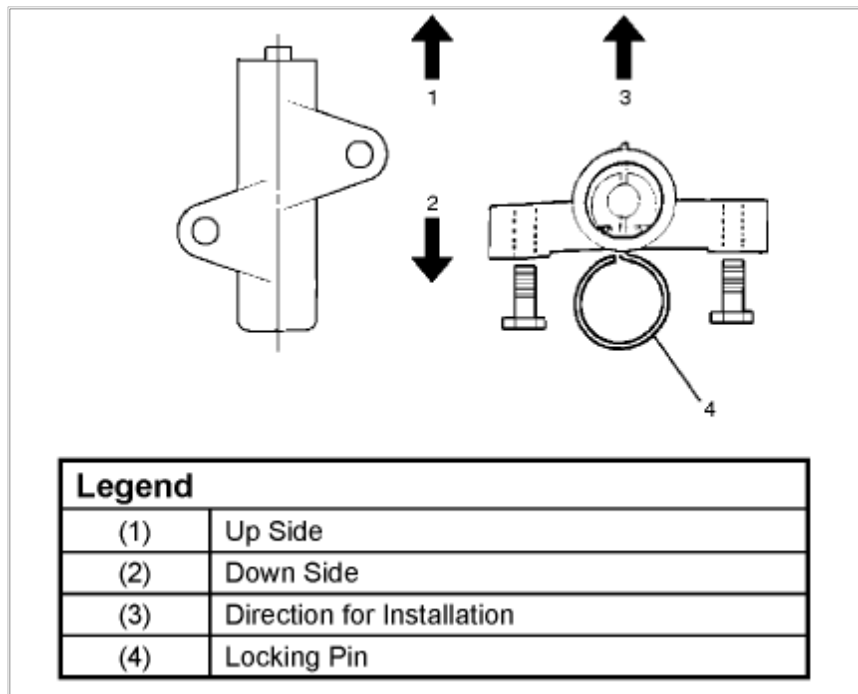
- 4 Align the alignment mark (white line) on the LH bank camshaft drive pulley (2) to the alignment mark of the cylinder head cover LH (3)
- 5 Align the alignment mark (white line) on the timing belt (1) with the alignment mark on the LH bank camshaft drive pulley (2).  
When aligning the timing marks, use a wrench to turn the camshaft drive pulley, then set the timing mark between timing belt and camshaft drive pulley and put the timing belt on the camshaft drive pulley.  
Secure the belt with a double clip or equivalent clip.

**Note:** It is recommended for easy installation the belt be secured with a double clip after it is installed to each pulley.

- 6 Install crankshaft pulley temporarily and tighten center bolt by hand (do not use a wrench).  
Turn the crankshaft pulley clockwise to give some belt slack between the crankshaft timing pulley and the RH bank camshaft drive pulley.

2. Install pusher and tighten bolt to the specified torque.

- 1 Install the pusher while pushing the tension pulley to the belt.
- 2 Pull out pin from the pusher.

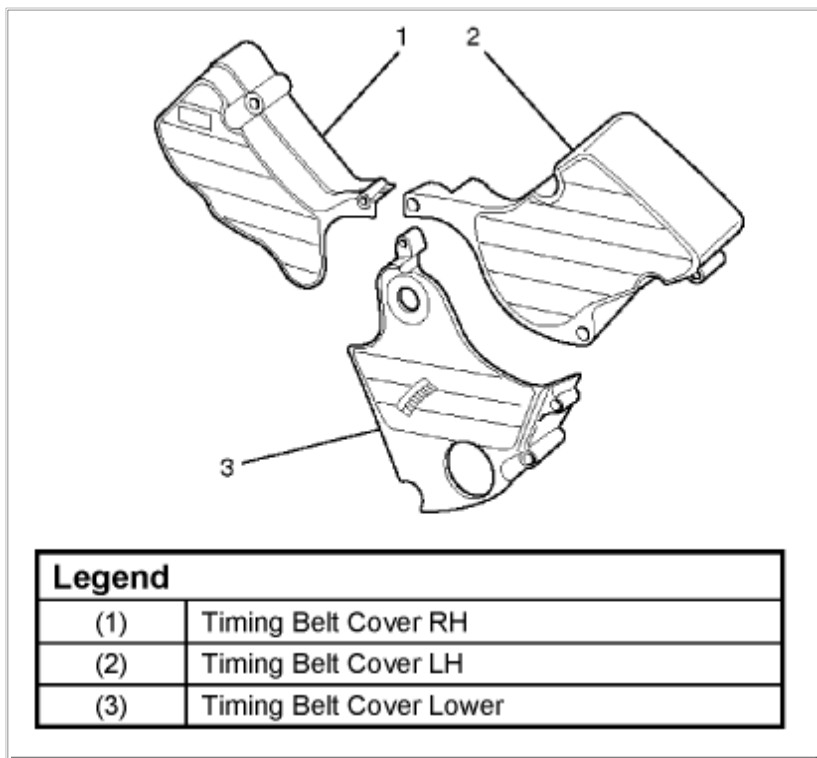


Zoom

Sized for Print

**Note:** When reusing the pusher, press the pusher with approximately 100 Kg to retract the rod, and insert a pin (1.4 mm piano wire).

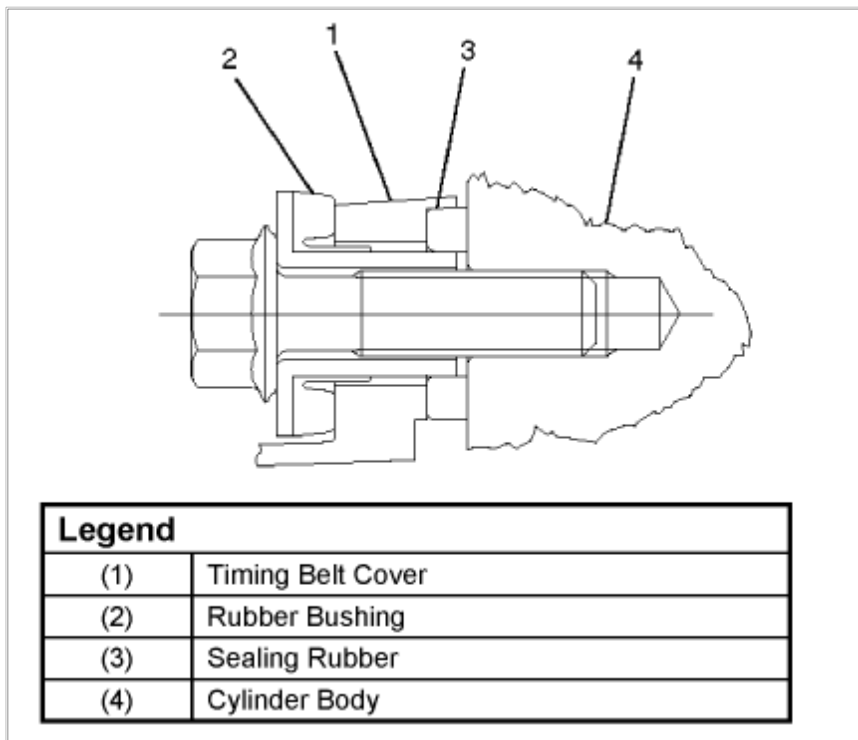
- 3 Remove double clips from timing belt pulleys.  
Turn the crankshaft pulley clockwise by two turns.  
Torque: **25 Nm (18 ft. lbs.)**



Zoom

Sized for Print

1 of 2

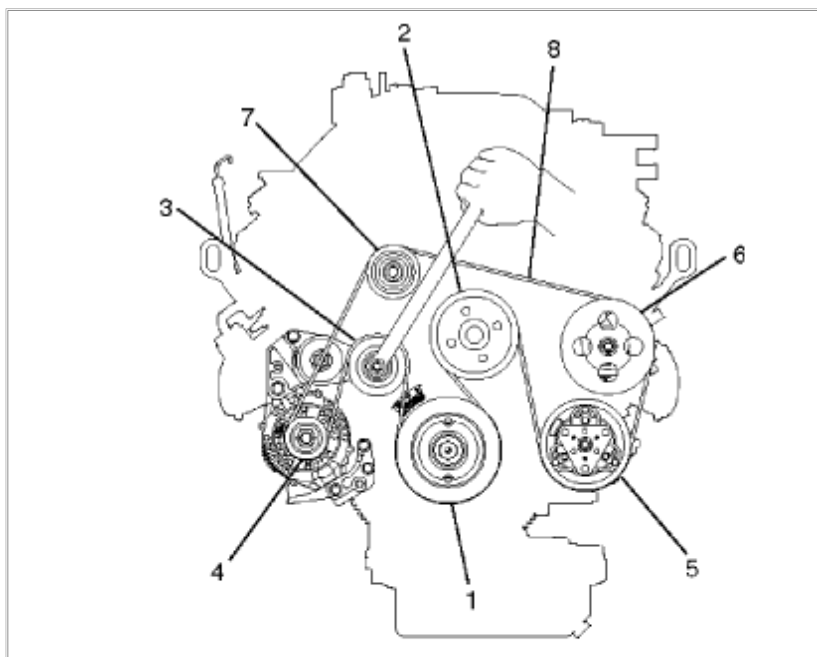


Zoom

Sized for Print

## 2 of 2

3. Install timing belt cover. Remove crankshaft pulley that was installed in step 1 item 5. Tighten bolts to the specified torque. Torque: **19 Nm (14 ft. lbs.)**
4. Install crankshaft pulley using J-8614-01, hold the crankshaft pulley and tighten center bolt to the specified torque. Torque: **167 Nm (123 ft. lbs.)**
5. Install fan pulley bracket and tighten fixing bolts to the specified torque. Torque: **22 Nm (16 ft. lbs.)**
6. Install power steering pump assembly and tighten to the specified torque. Torque: M8 bolt: **22 Nm (16 ft. lbs.)** M10 bolt: **46 Nm (34 ft. lbs.)**
7. Install cooling fan assembly and tighten bolts/nuts to the specified torque. Torque: **22 Nm (16 ft. lbs.)** for fan pulley and fan bracket. Torque: **7.5 Nm (66.4 inch lbs.)** for fan and clutch assembly.



Legend	
(1)	Crankshaft Pulley
(2)	Cooling Fan Pulley
(3)	Tensioner
(4)	Generator
(5)	Air Conditioner Compressor
(6)	Power Steering Oil Pump
(7)	Idle Pulley
(8)	Drive Belt

Zoom

Sized for Print

8. Move drive belt tensioner to loose side using wrench, then install [drive belt](#) to normal position.
9. Install radiator upper fan shroud.
10. Install air cleaner assembly.

© 2008 ALldata LLC. All rights reserved.

[Terms of Use](#)