

[Select Vehicle](#) | [New TSBs](#) | [Technician's Reference](#)

Component Search:

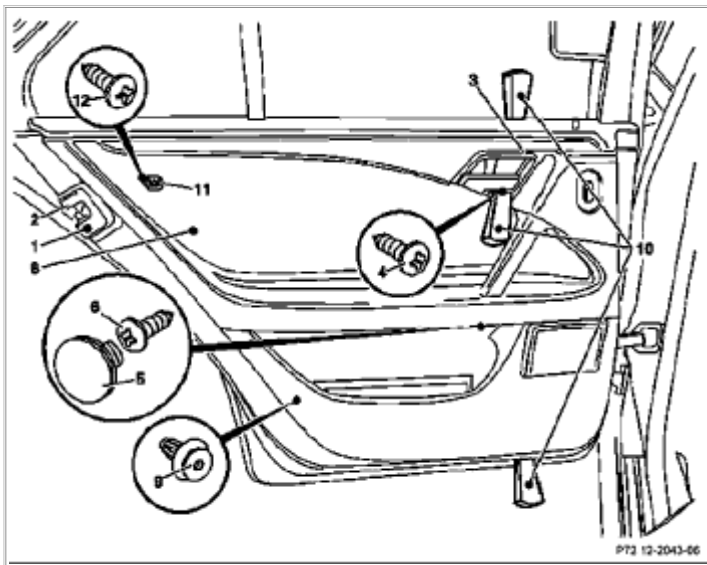
OK

[Conversion Calculator](#)**2001 Mercedes Benz E 320 Sedan (210.065) V6-3.2L (112.941)**[Vehicle Level](#) → [Body and Frame](#) → [Doors, Hood and Trunk](#) → [Rear Door Panel](#) → [Service and Repair](#) →[AR72.12-P-1010F Remove/Install Door Liner on Rear Door](#) ←

AR72.12-P-1010F Remove/Install Door Liner on Rear Door

[Notes](#)

AR72.12-P-1010F Remove/Install Door Liner on Rear Door

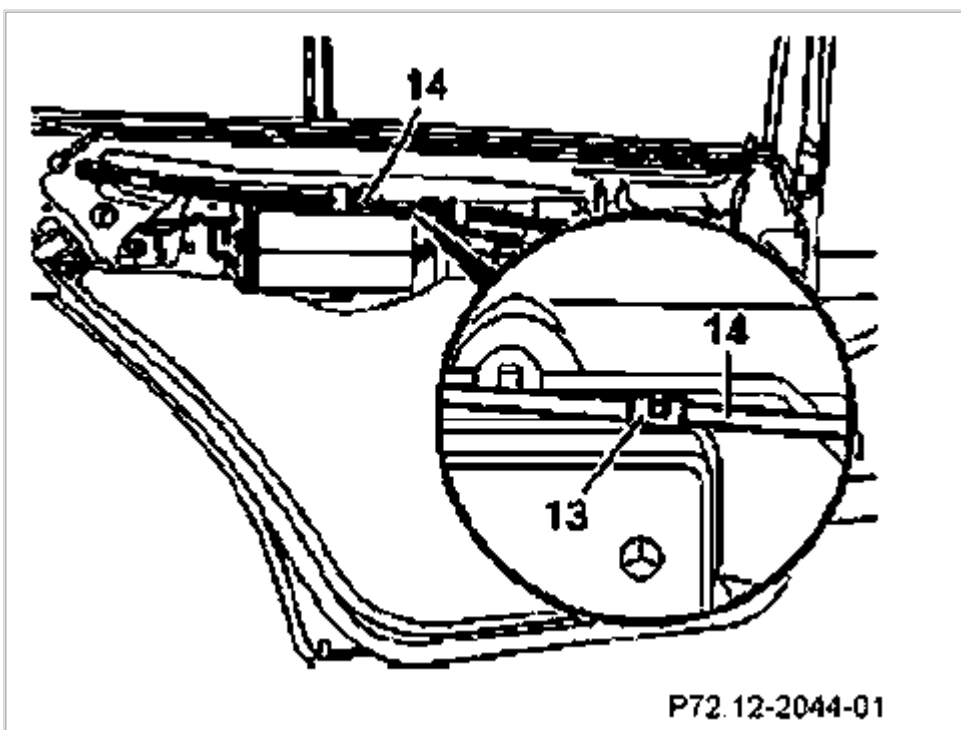


Zoom

Sized for Print

1. Screw
2. Lock cover plate
3. Handle recess
4. Screw
5. Cover
6. Screw

8. Door liner
9. Clips
10. Installation wedge
11. SRS cover (with code 293 rear side airbag)
12. Screw (with code 293 rear side airbag)

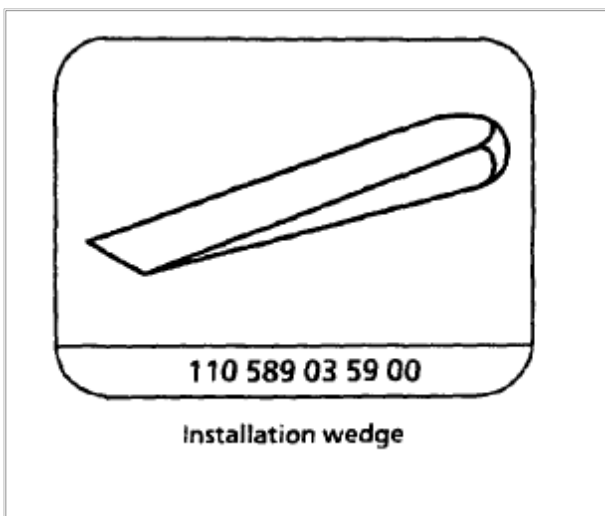


Zoom

Sized for Print

- 13. Clip
- 14. Control cable (interior door control)

Special tools



Zoom

Sized for Print

Removing, installing

1. Press of handle recess (3) using assembly wedge
2. Unscrew screw (4) in the area of the interior door control
3. Unclip cover (11) and unscrew screw (12) With code 293 (rear side airbag)
4. Unscrew screw (1) on lock escutcheon (2) and remove lock escutcheon (2) downwards
5. Press of cover (5) under armrest and unscrew screw (6)
6. Unclip entrance lamp and disconnect electrical cable
7. Press door lining (8) off inner door panel at bottom, front and rear using assembly wedge Guide each assembly wedge straight to the clips
8. Lift door lining (8) out of retaining clips at the top of the sealing rail using assembly wedge and at the same time pull away from the inner door panel
9. Unhook control cable (14) on interior door control Installation: Ensure that the control cable (14) is clipped into the retaining clip (13)
10. Pull electrical connections off door lining (8)
11. Put down door lining (8)
12. Check film and clips on inner door panel and replace if necessary. Stick door film onto inner door panel.
13. Check clips (9) on door lining and replace if necessary
14. Install in reverse order

© 2008 ALLDATA LLC. All rights reserved.

[Terms of Use](#)

[Select Vehicle](#) | [New TSBs](#) | [Technician's Reference](#)

Component Search:

OK

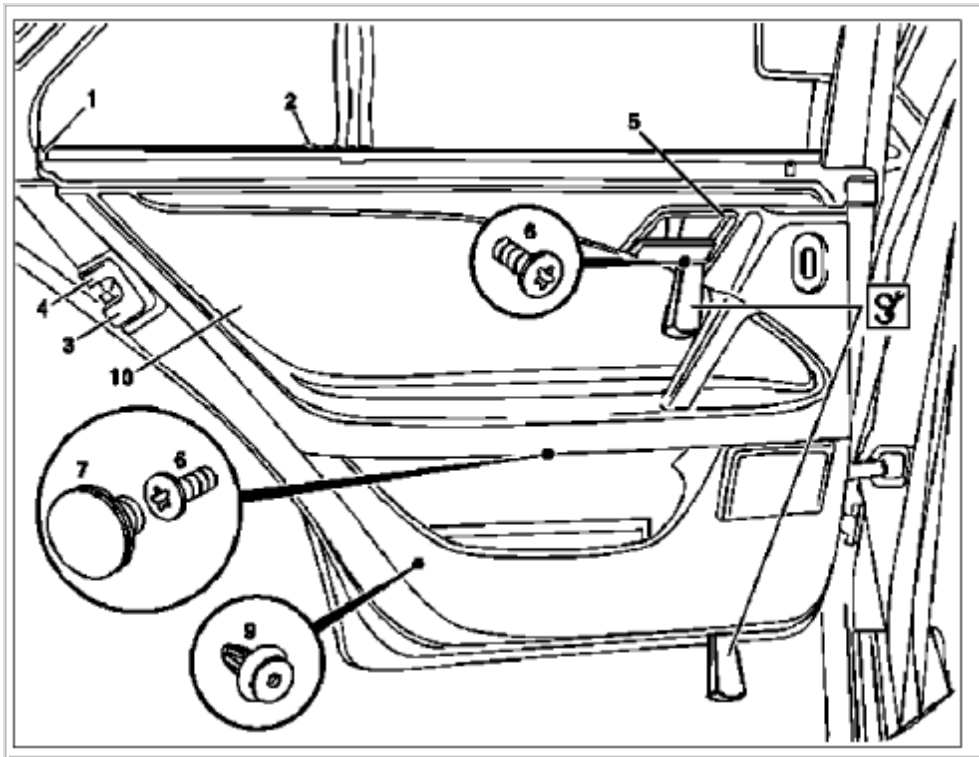
[Conversion Calculator](#)**2001 Mercedes Benz E 320 Sedan (210.065) V6-3.2L (112.941)**[Vehicle Level](#) → [Body and Frame](#) → [Doors, Hood and Trunk](#) → [Rear Door Panel](#) → [Service and Repair](#) →[AR72.12-P-1010FB Remove/Install Door Liner on Rear Door](#) ←

AR72.12-P-1010FB Remove/Install Door Liner on Rear Door

[Notes](#)

AR72.12-P-1010FB Remove/Install Door Liner on Rear Door

- with CODE (979) Special protection version
- with CODE (Z04) Light armoring
- with CODE (Z06) B6 armoring



Zoom

Sized for Print

1. Stop
2. Clamp
3. Screw
4. Round cover plate
5. Handle
6. Screw
7. Cover

9. Clips
10. Door liner

Removal, installation

1. Remove stop (1) and clip (2) and unhook curtain from rail on door liner
2. Unscrew screw (3) on lock cover (4) and remove lock cover downward
3. Press off handle recess (5) with installation wedge
4. Unscrew screw (6) in area of door interior actuating mechanism
5. Press off cover (7) below armrest and unscrew screw
6. Unclip entry lamp, disconnect electric lead
7. Press door liner (10) off of inner door panel at bottom, front and rear with installation wedge

Note: Insert installation wedge directly next to each clip

8. Unhook control cable on door interior actuating mechanism
9. Put down door liner
10. Check foil and clips on inner door panel



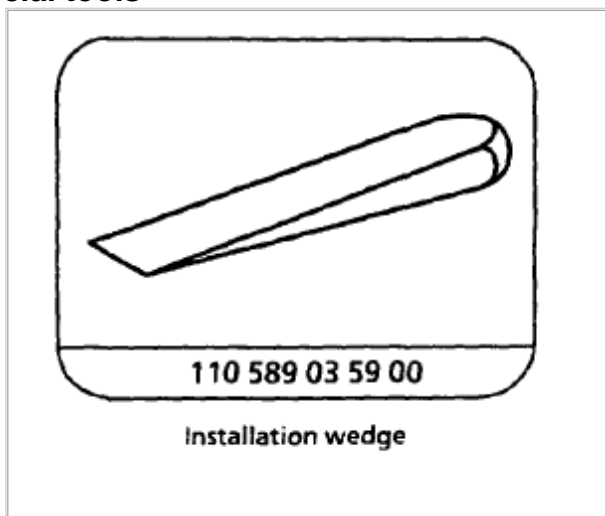
Note: Replace damaged foil and clips

11. Check clips (9) on door liner

Note: Replace damaged clips

12. Reinstall in opposite order

Special tools



Zoom

Sized for Print

© 2008 ALldata LLC. All rights reserved.

[Terms of Use](#)

