

Select Vehicle | New TSBs | Technician's Reference

Component Search:

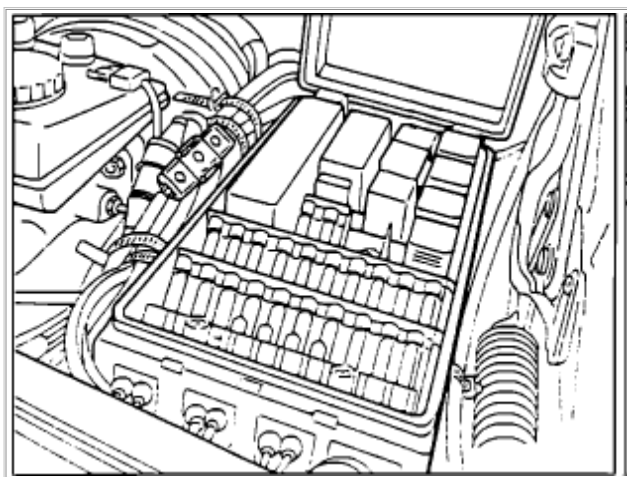
1993 Mercedes Benz 300E 4Matic (124 Chassis) L6-2960cc 3.0L SOHC (103)

[Vehicle Level](#) → [Power and Ground Distribution](#) → [Fuse Block](#) → [Locations](#) ←

Locations

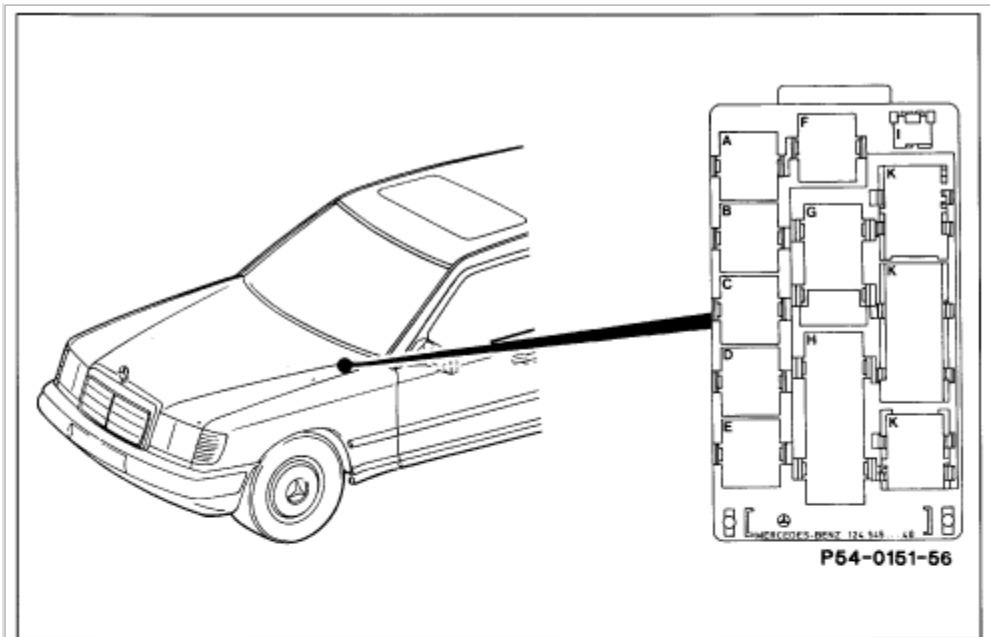
[Notes](#)

Fuse and Relay Block Identification and Location



The fuse/relay box is located in the left side of the engine compartment.

Relay and Control Unit Locations



Relay Code	Designation	Relay-Function
A	K5	Power seat relay module
B	K9k1	Auxiliary fan relay Models 124.034/.036
	K10	Auxiliary fan preresistor relay module
C	K9	Auxiliary fan relay module
	K9k2	Auxiliary fan preresistor relay Models 124.034/.036
D	K2	Headlamp washer relay module
E	F14	Auxiliary fuse holder (ATA)
	K17	Secondary air injection relay module Models 124.034/.036
F	K24	Convenience relay module
G	K18/1	Seat belt warning relay module (Coupé only)
	K29/1	First gear start relay module
H	N10	Combination relay (turn/hazard signal, Heated rear window, Wiper motor)
I	V5	Disconnect diode (parking brake/ASR/electronic accelerator) Models 124.034/.036
K	N7	Exterior lamp failure monitoring module

Zoom

Sized for Print

Fuse Box and Fuse Location (Fuses 1 - 4)

Fuse location, F1 Fuse and Relay Box			
Fuse No.	Circuit	Fuse Amperage	Fused Connections
1	15R	16	Glove compartment light Rear window wiper/washer system (station wagon) Radio Rear window defroster Rear window sun shade motor Sliding/pop-up roof Folding rear head restraints Central locking system/orthopedic backrest Cigar lighter SBE control module (Cabriolet) HS control module Convenience feature
2	15R	16	Power windows Convenience feature Headlamp wiper/washer Wiper/washer system Seat adjustment
3	58R	8	Illumination: License plate, instrument cluster, control elements, radio, cigar lighter Warning buzzer Parking/tail /side marker lamps (Right) Headlamp wiper/washer Electrically adjustable and heated outside rearview mirrors HS control module Folding rear head restraints Rear backrest/head restraints Sliding/pop-up roof Seat heater switch RB switch Power soft top switch Front seat adjustment with memory Seat belt warning module
4	58N	8	Fog lamp, rear fog lamp

Zoom

Sized for Print

Fuse Box and Fuse Location (Fuses 5 & 6)

Fuse location, F1 Fuse and Relay Box			
Fuse No.	Circuit	Fuse Amperage	Fused Connections
5	15	8	Stop lamp switch Front dome lamp Tachometer Inductive speed sensor Instrument cluster Exterior lamp failure monitoring module Cruise control Warning module RB control lamp RB switch Power soft top Seat belt warning module Daytime running lamp control module (CDN)
6	15	8	Outside temperature gauge Fanfare horns Injectors Starter switch Instrument cluster ABS warning lamps ABS MIL TWC malfunction control module Roll bar Overvoltage protection relay module Ignition coils Preglow time-limit relay module Generator charge indicator lamp

[Zoom](#)

[Sized for Print](#)

Fuse Box and Fuse Location (Fuses 7 & 8)

Fuse location, F1 Fuse and Relay Box			
Fuse No.	Circuit	Fuse Amperage	Fused Connections
7	15	16	Auto. A/C Automatic transmission electric: Kickdown solenoid valve Transmission mode valve Data link connector, terminal 16 Throttle valve actual valve potentiometer Blower motor Heater/climate control system: Electromagnetic clutch A/C compressor Auxiliary fan relay, terminal 86 Auxiliary fan relay (stage 2) O ₂ S (after TWC) heater relay module Climate control system Monovalve, duovalve Auxiliary coolant pump Fresh/recirculated air flap switchover valve (switchover valve block) (Rest relay module) (Stationary heater control module) (Bypass valve) Purge control valve/fuel tank vent valve Upshift delay solenoid valve Heated windshield washer nozzle Heated windshield washer system Kickdown cut-out relay module/compressor HFM-SFI control module EGR switchover valve 2 Resonance intake manifold switchover valve Air pump switchover valve Adjustable camshaft timing solenoid Electromagnetic air pump clutch Control/function indicator lamp ASD/ASR/4-MATIC Backup lamp
8	58L	8	Parking/tail/side marker lamps (Left) Engine compartment light

[Zoom](#)
[Sized for Print](#)

Fuse Box and Fuse Location (Fuses 9 - 16)

Fuse location, F1 Fuse and Relay Box			
Fuse No.	Circuit	Fuse Amperage	Fused Connections
9	30	8	Control elements illumination Transmission selector lever position illumination Dome lamp (with shut-off delay and reading lamp) Instrument illumination rheostat Exterior lamp switch illumination Vanity mirror light Radio Relay convenience feature, terminal 86 Power seat relay module Rear headrest unlocking switch Rear window sun shade switch Seat heater switch RB switch Power soft top switch Power window switch Diagnostic module Clock Hazard warning system Warning buzzer contact
10	30	25	Rear window defroster
11	15	8 16	Transmission oil cooling ATA Control module
12	15x	16 30	ATA Control module Blower motor (auto. A/C) Blower regulator (auto. A/C)
13	56b	8	Low beam left
14	56b	8	Low beam right
15	56a	8	High beam left (High beam left with auxiliary high beam left)
16	56a	8	High beam right (High beam indicator lamp)

[Zoom](#)
[Sized for Print](#)

Fuse Box and Fuse Location (Fuses A - F)

Fuse location, F1 Fuse and Relay Box			
Fuse No.	Circuit	Fuse Amperage	Fused Connections
A	15R/30	25	Center power window optional
	15R/30	16	Sliding/pop-up roof optional
	15	8	Power soft top control module optional
	15R	8	RB control module
B	15	8	Seat belt extender system Anti-theft alarm system Automatic dimming inside rearview mirror Seat belt warning module, terminal 86 IRCL control module Adjustable, heated outside mirrors
C	30	16	Automatic antenna CD-Player Rear dome light (Station wagon) Entrance/exit lamp Anti-theft alarm system Seat belt extender (Coupé) Tailgate lock switch (Station wagon) Trunk lamp (except station wagon) Rear reading lamps IRCL control module CF control module CL control module Sound system Backrest lock (Coupé)
D	30	16	Auxiliary fan/preresistor
E	15R/30	25	Front passenger power seat: Head restraint motor Right front/rear power seat motor group with memory Backrest motor Driver power seat: Head restraint motor Left front/rear power seat motor group with memory Backrest motor
F	15R/30	25	Front passenger power seat: Seat forward/backward motor Right front/rear power seat motor group with memory Driver power seat: Seat forward/backward motor Left front/rear power seat motor group with memory

Zoom

Sized for Print

Fuse Box and Fuse Location (Fuses G, H, F10, F15, F22, F22/1, F22/2)

Fuse location, F1 Fuse and Relay Box			
Fuse No.	Circuit	Fuse Amperage	Fused Connections
G	15R/30	25	Power windows (front)
H	15R/30	25	Power windows (rear)
Fuse location, F10 Auxiliary Fuse Holder (REST)			
Fuse No.	Circuit	Fuse Amperage	Fused Connections
F10	30	16	REST time-limit or auxiliary heater
	30	25	Auxiliary heater
Fuse location, F15 Auxiliary Fuse Holder (A/C Blower Motor)			
Fuse No.	Circuit	Fuse Amperage	Fused Connections
F15	15X	30	Blower motor
Fuse location, F22 Auxiliary Fuse Holder (Auto. A/C)			
Fuse No.	Circuit	Fuse Amperage	Fused Connections
F22	15	15	Auxiliary fan
	30	30	Auxiliary fan relay module (K9)
Fuse location, F22/1 Auxiliary Fuse Holder (HS)			
Fuse No.	Circuit	Fuse Amperage	Fused Connections
F22/1	30	16	Heated Seats (HS)
Fuse location, F22/2 Auxiliary Fuse Holder (CTEL)			
Fuse No.	Circuit	Fuse Amperage	Fused Connections
F22/2	30	8 (MY 93) 7,5 (MY 94 →)	CETL transmitter/receiver

Zoom

Sized for Print

Fuse Box and Fuse Location (Fuses F24 & F24/1)

Fuse location, F24 Auxiliary Fuse Holder (CST/RB)			
Fuse No.	Circuit	Fuse Amperage	Fused Connections
F24	30	8	RB deployment solenoid
	30	16	RB control module (manual soft top)
Fuse location, F24/1 Auxiliary Fuse Holder (Hydraulic unit)			
Fuse No.	Circuit	Fuse Amperage	Fused Connections
F24/1	30	30	CST/RB hydraulic unit (power soft top)

Zoom

Sized for Print

© 2008 ALldata LLC. All rights reserved.
[Terms of Use](#)