



[Home](#) | [Account](#) | [Contact ALLDATA](#) | [Log Out](#) | [Help](#)

METRO TOYOTA

Select Vehicle | New TSBs | Technician's Reference

Component Search:

OK

Conversion Calculator

2005 Chrysler Pacifica V6-3.8L VIN L

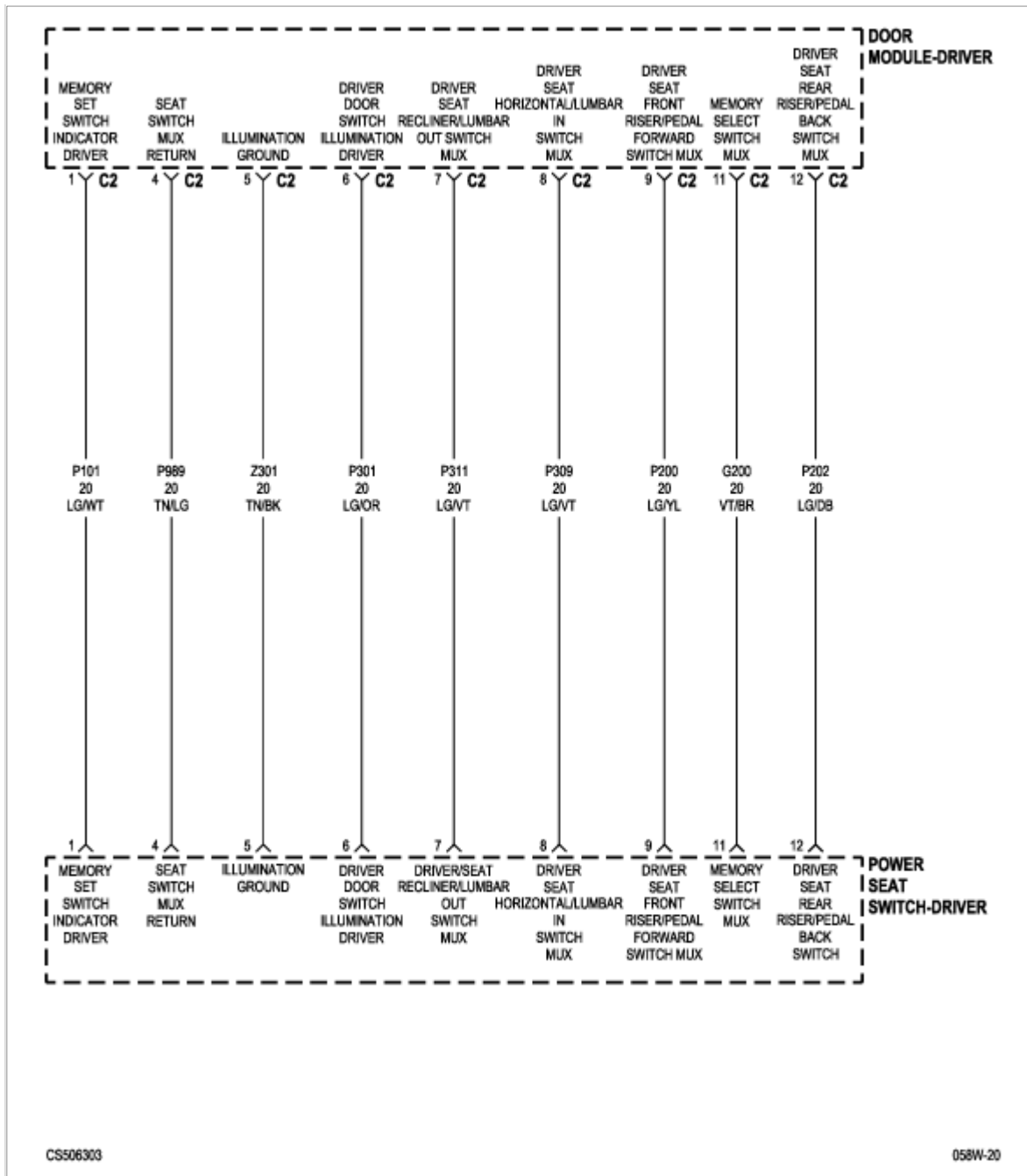
[Vehicle Level](#) → [Body and Frame](#) → [Seats](#) → [Diagrams](#) → [Electrical Diagrams](#) ←

Electrical Diagrams

[Notes](#)

PLEASE NOTE: Some diagrams may appear to be missing because of gaps in the number sequences. These "gaps" are actually for diagrams that do not apply to the vehicle model selected.

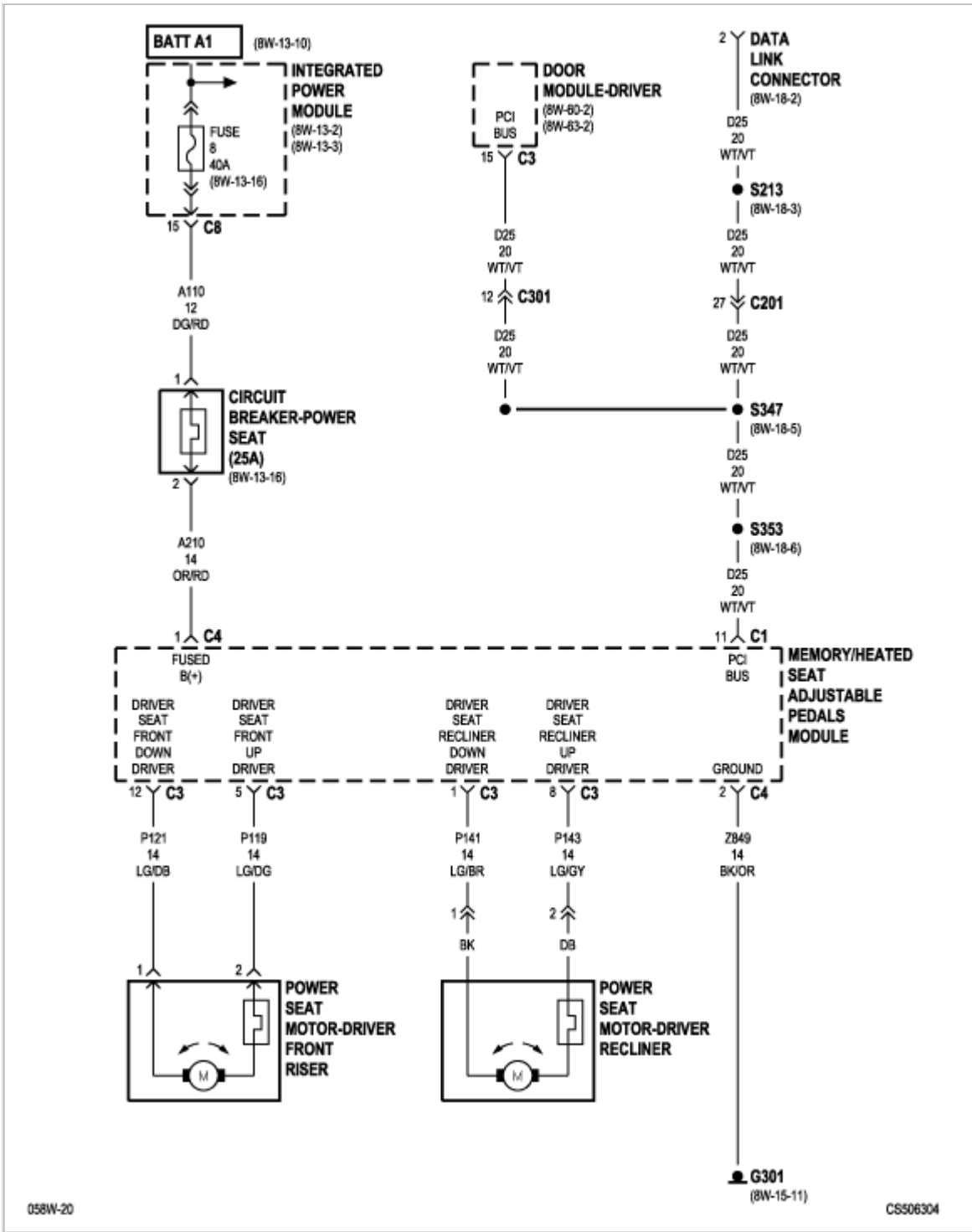
8w-63-2



Zoom

Sized for Print

8w-63-4



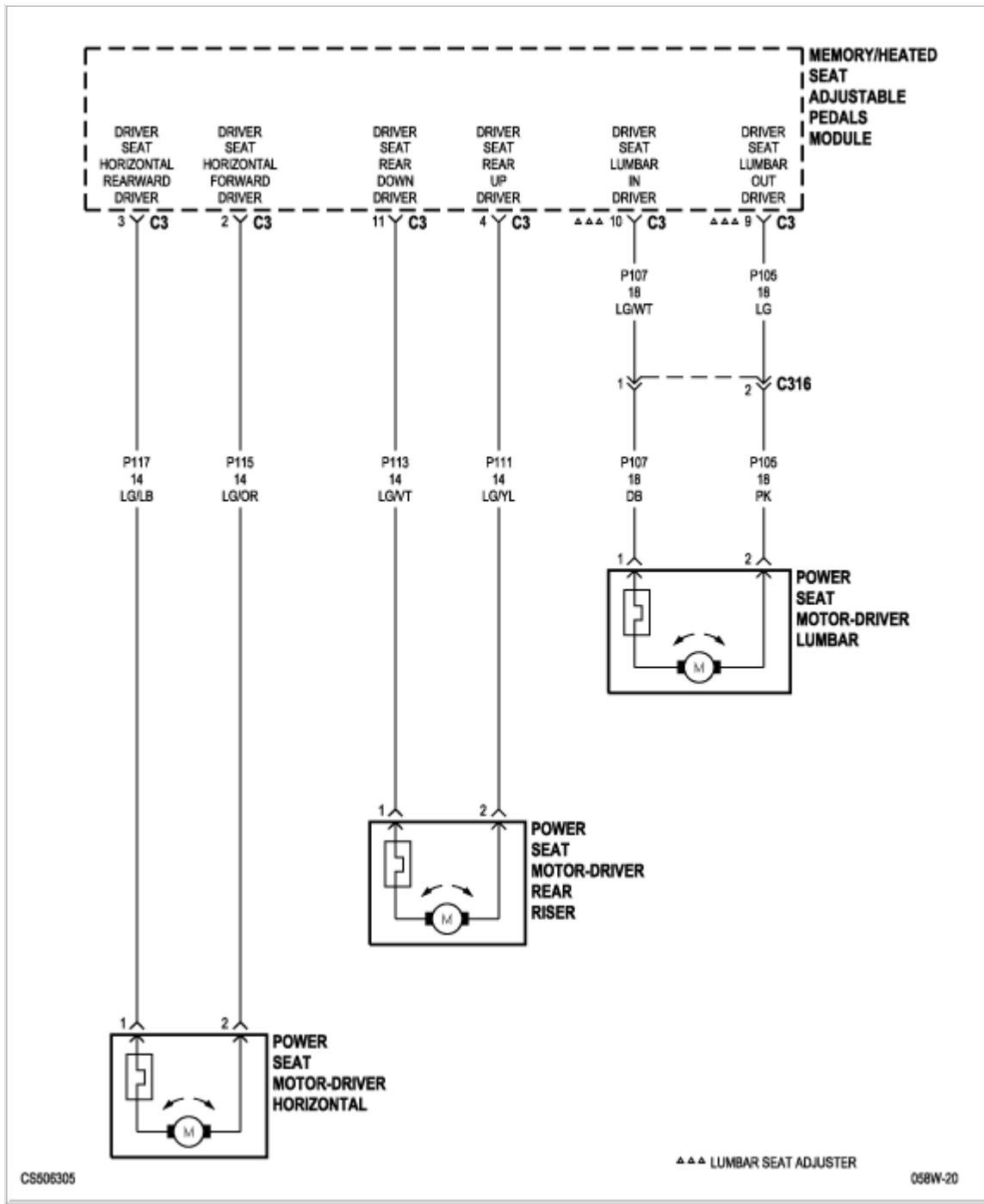
058W-20

CS506304

Zoom

Sized for Print

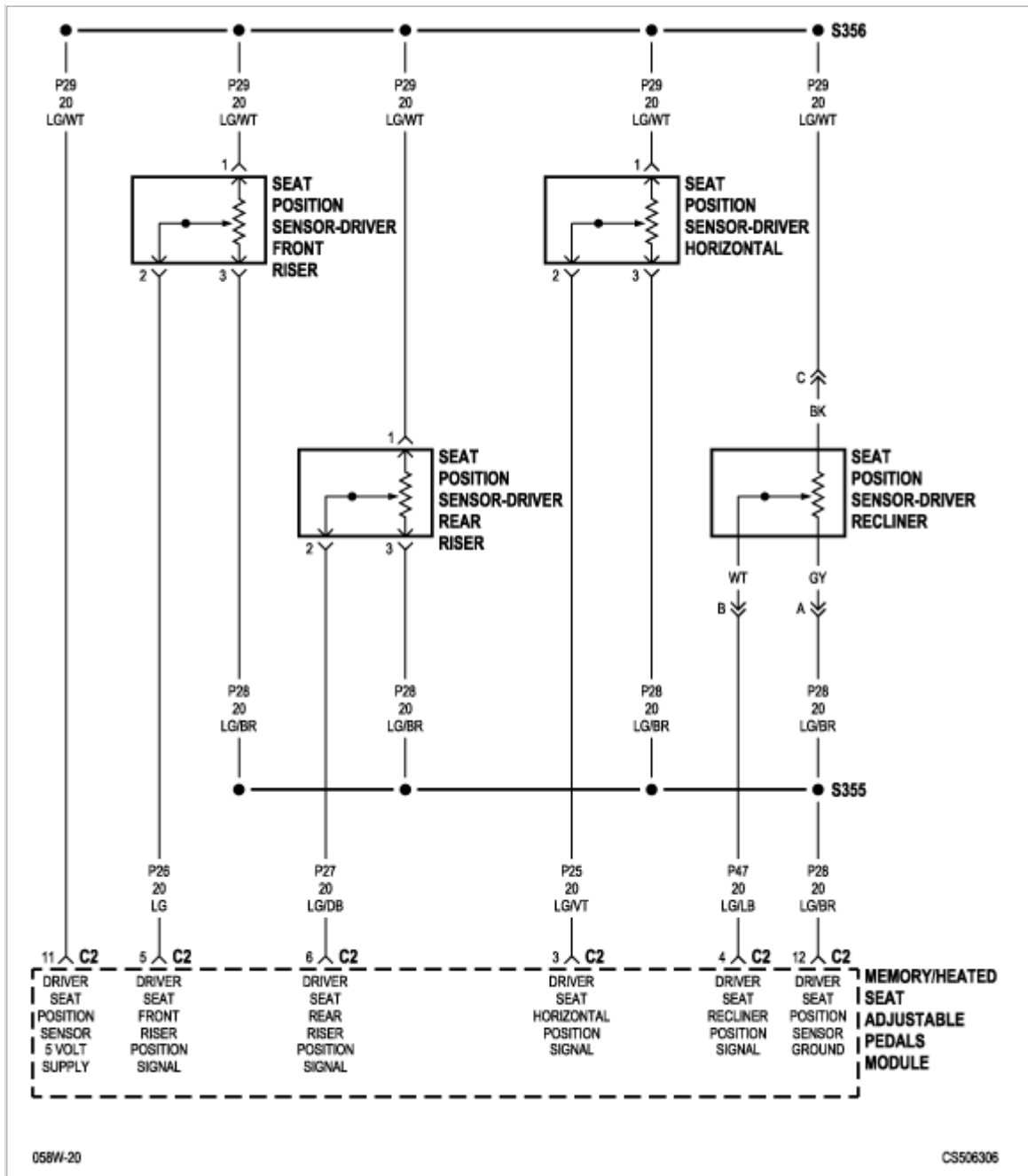
8w-63-5



Zoom

Sized for Print

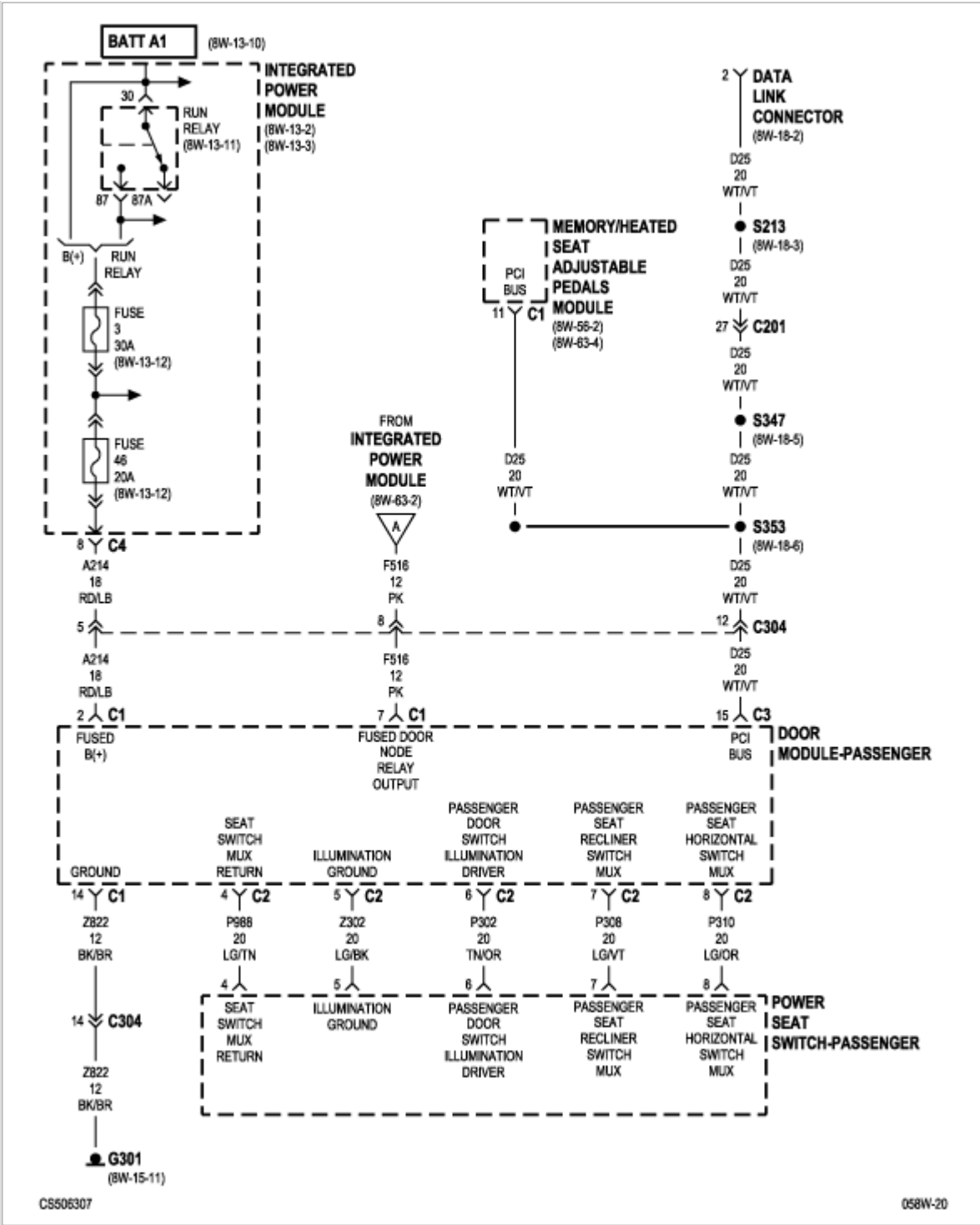
8w-63-6



Zoom

Sized for Print

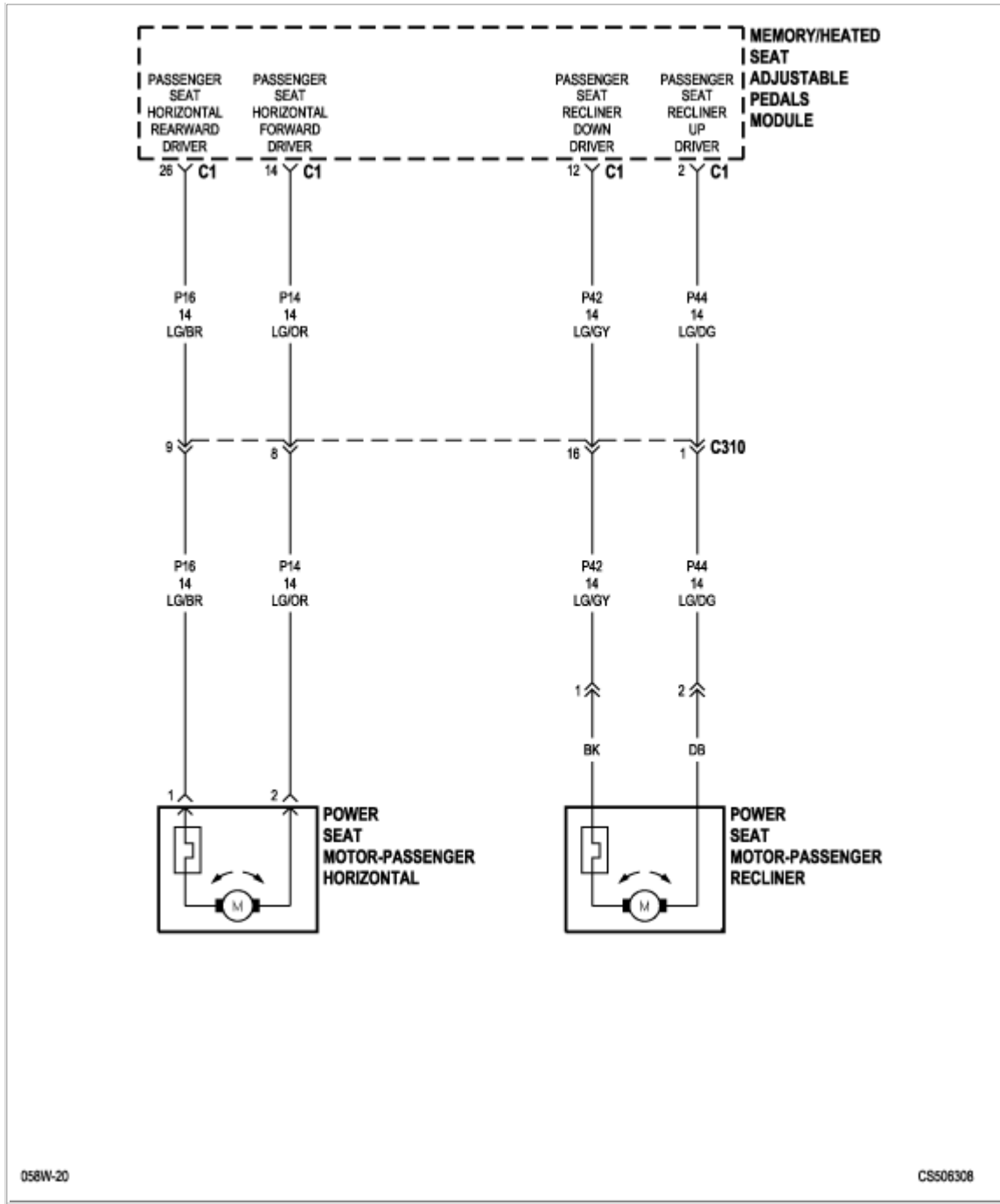
8w-63-7



Zoom

Sized for Print

8w-63-8



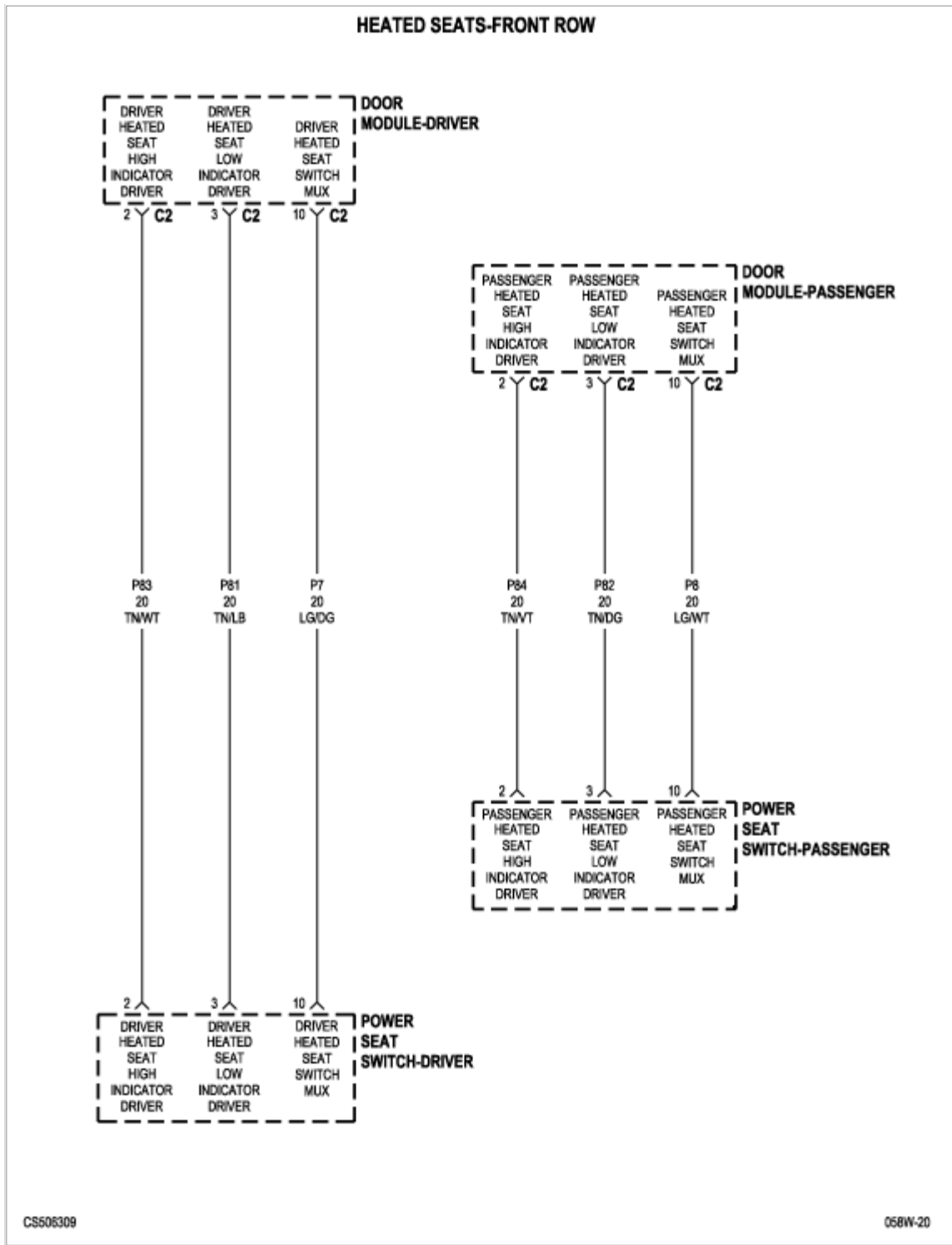
058W-20

CSS06308

Zoom

Sized for Print

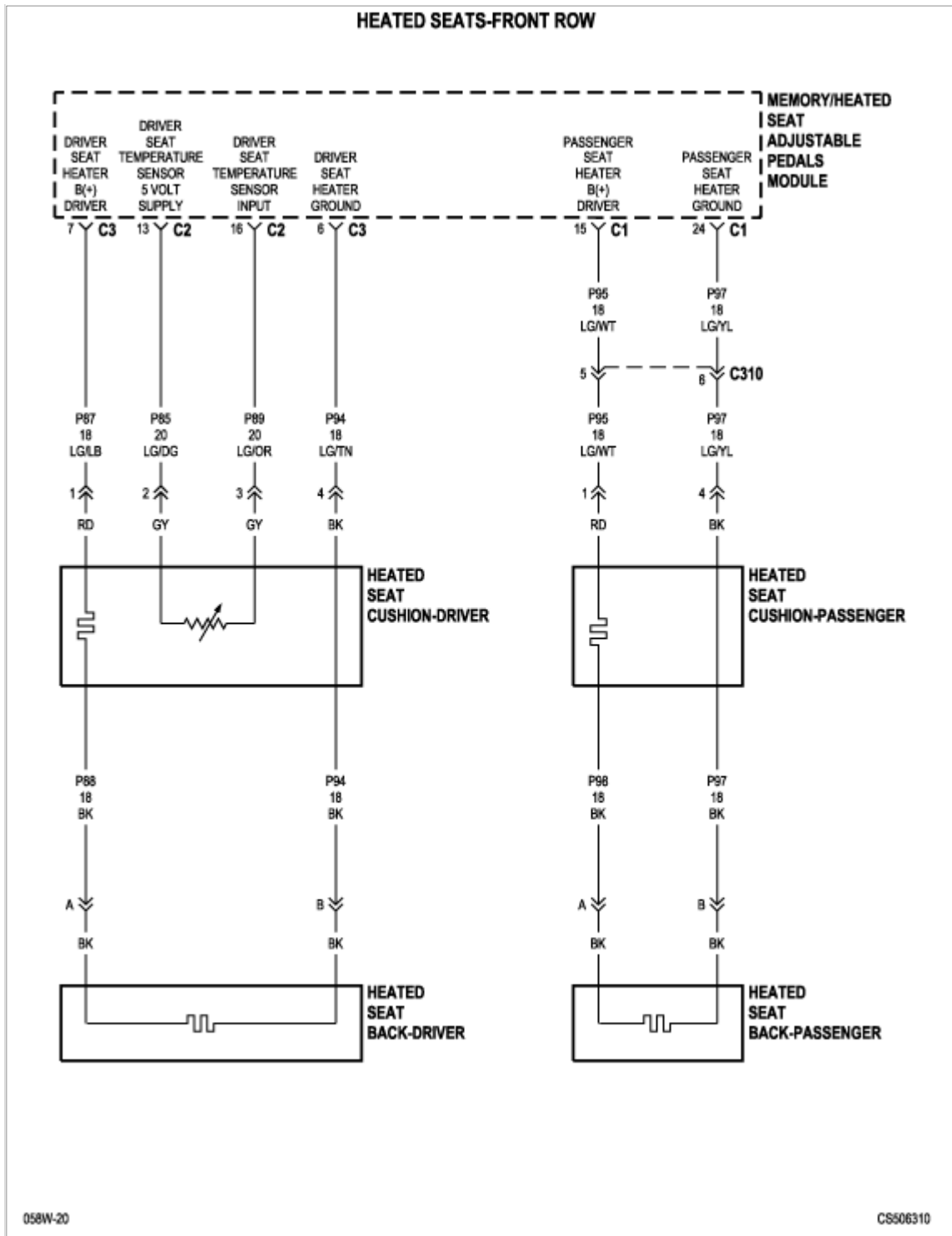
8w-63-9 (Heated Seats-Front Row)



Zoom

Sized for Print

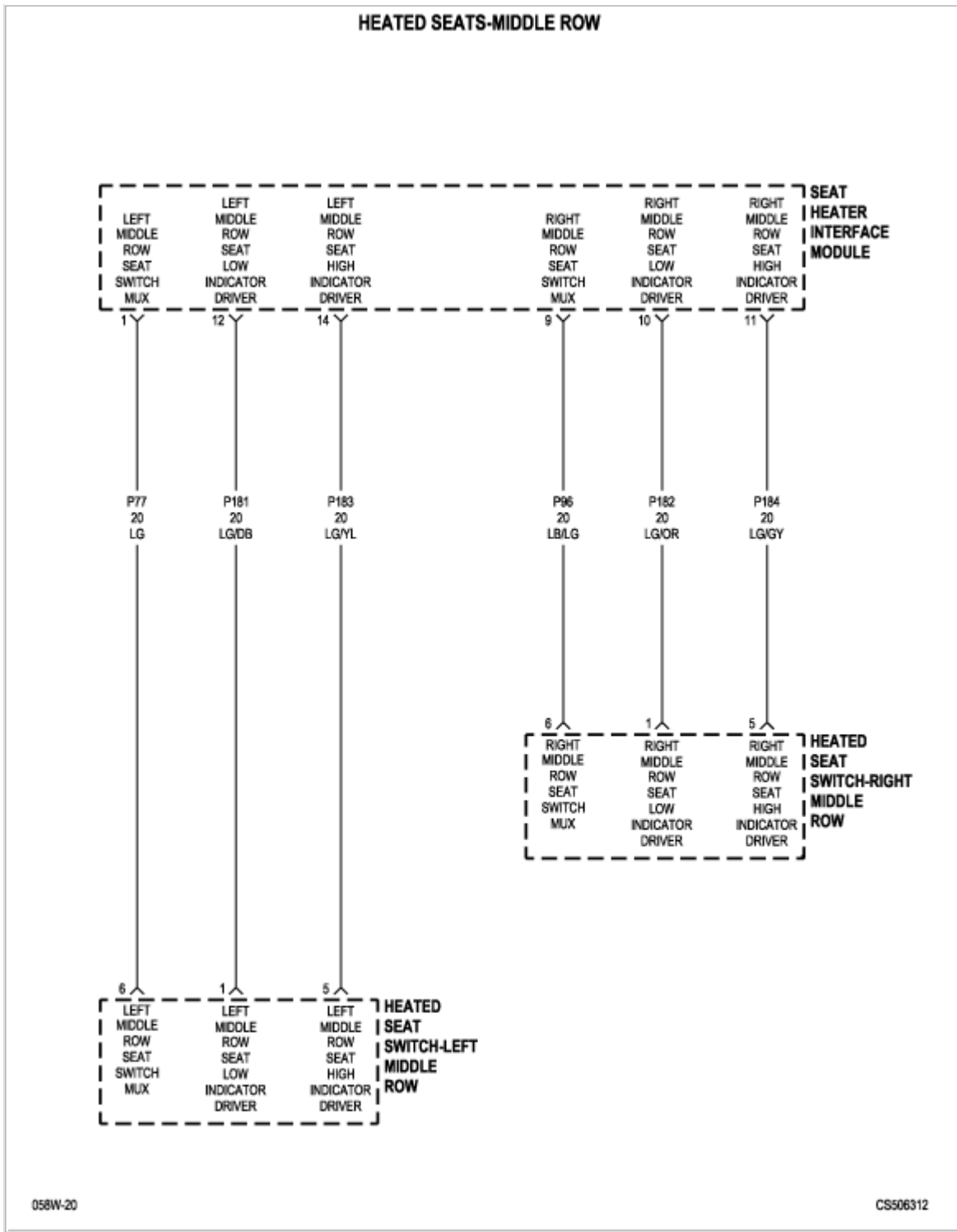
8w-63-10 (Heated Seats-Front Row)



Zoom

Sized for Print

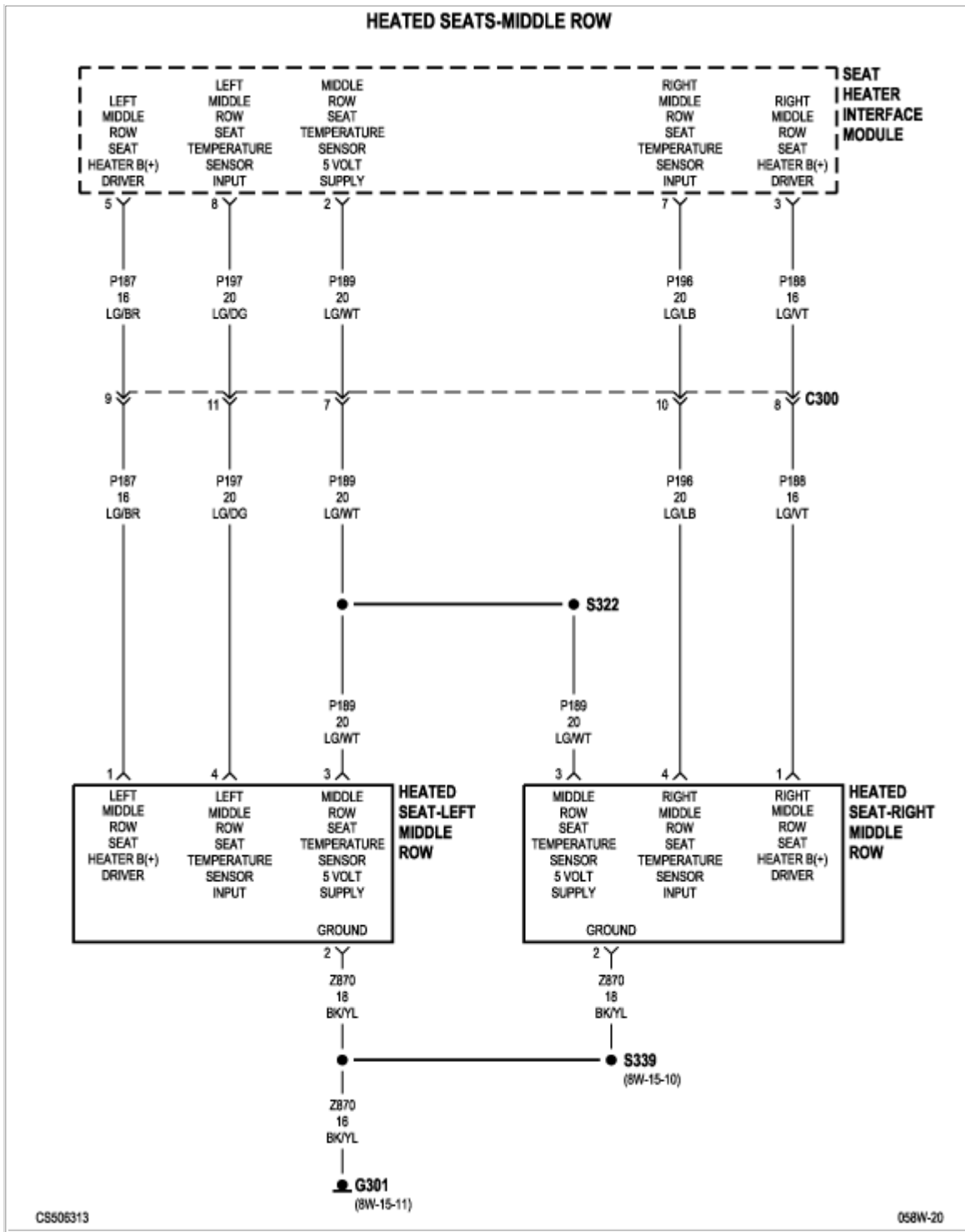
8w-63-11 (Heated Seats-Middle Row)



Zoom

Sized for Print

8w-63-13 (Heated Seats-Middle Row)



Zoom

Sized for Print

Other Diagrams: Other diagrams referred to by number (i.e. 8W-70-2, etc.) within these diagrams can be found at the vehicle level under **Diagrams By Number** . [See: Diagrams\Electrical\Diagrams By Number](#)

© 2008 ALldata LLC. All rights reserved.

[Terms of Use](#)