

[Select Vehicle](#) | [New TSBs](#) | [Technician's Reference](#)

Component Search:

OK

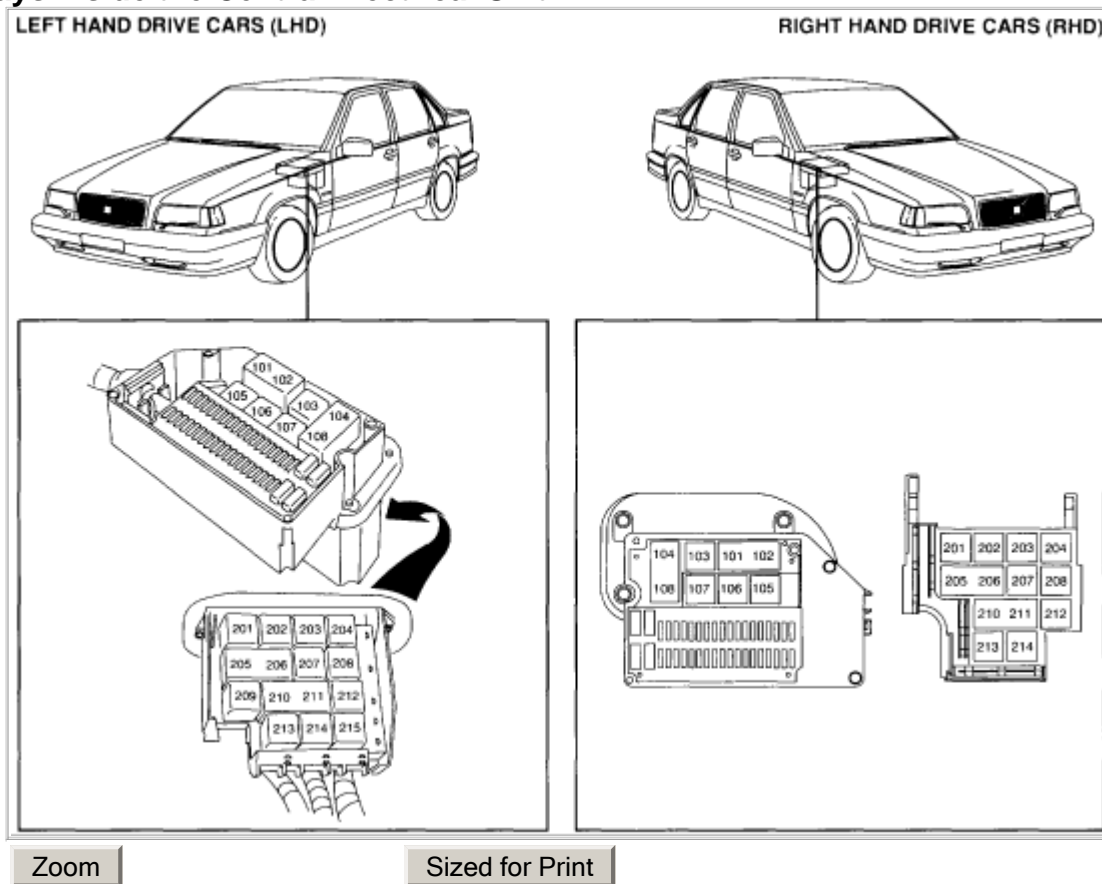

[Conversion Calculator](#)
**1995 Volvo 850 L5-2.3L Turbo VIN 57 B5234FT**
[Vehicle Level](#) → [Locations](#) → [Component Locations](#) → [Relay Identification and Location](#) ←

## Relay Identification and Location

[Notes](#)

### Relay Identification and Location

#### Relays Inside the Central Electrical Unit

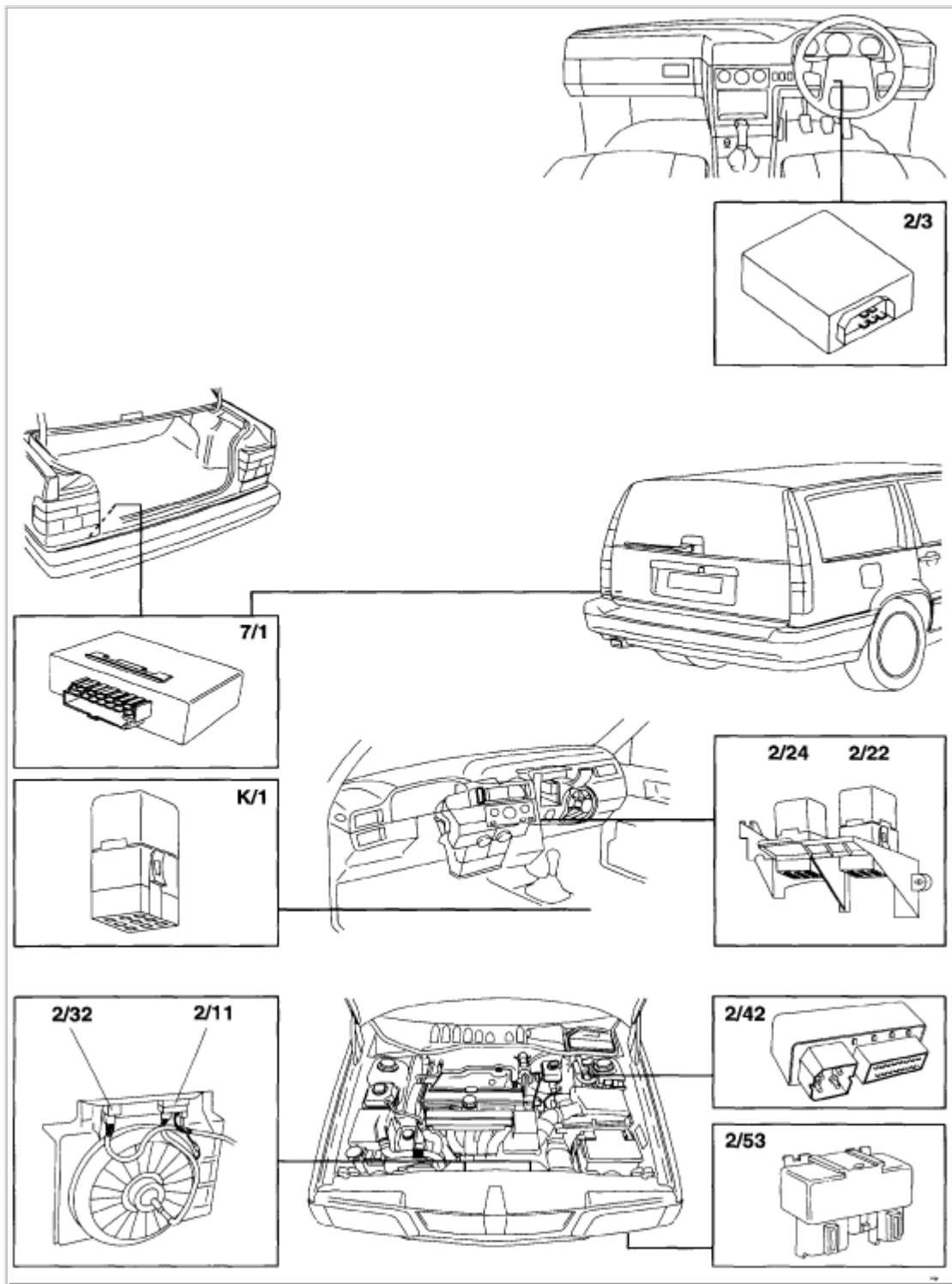


- 101-102 Control module, cruise control (4/3)
- 103 Fuel pump relay (2/23)
- 104,108 Main headlight relay with bulb malfunction indicator (2/1)
- 105 Overload relay +X supply (2/30)
- 106 Overload relay +15 supply (2/31)

- 107 Overload relay +X supply (2/60)
- 201 Fog light relay (2/2)
- 202 Relay, deadlock setting (2/47)
- 203 Relay, windshield intermittent wiper (2/4)
- 204 Relay, tailgate intermittent wiper (2/16)
- 205-206 Relay, central lock and delayed inside lighting (2/7)
- 207 Speed warning (2/51) or exhaust temp. sensor relay (2/15)
- 208 Relay, heated rear window and door mirrors (2/44)
- 210-211 Relay, anti-theft alarm (2/28)
- 212 Relay, seat belt reminder/key warning (2/5)
- 213 Front fog lights, bridge (25/9)
- 214 Relay, heated rear seat (2/43)

If the car is not equipped with a theft alarm,  
position 210 is bridged and 211 is unconnected.

### **Relays Outside the Central Electrical Unit**



Zoom

Sized for Print

- 2/3 DIM-DIP regulator
- 2/11 Engine cooling fan relay
- 2/22 A/C relay

- 2/24 Fan relay, max.
- 2/32 Main relay fuel system
- 2/42 Combination relay ABS
- 2/53 Relay, air pump
- 7/1 Rear bulb failure warning sensor
- K/1 Relay, auto-down power window

© 2008 ALldata LLC. All rights reserved.

[Terms of Use](#)