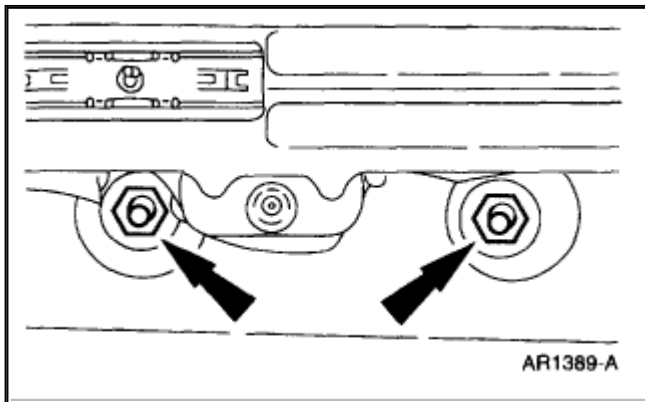


Service and Repair

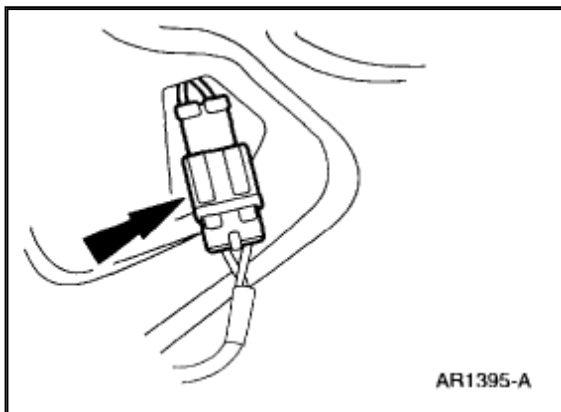
[Notes](#)

REMOVAL

1. Remove the front door window glass.

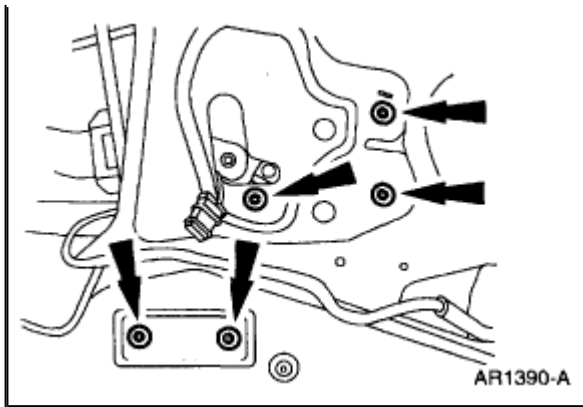
[Zoom](#)[Sized for Print](#)

2. Remove the nuts.

[Zoom](#)[Sized for Print](#)

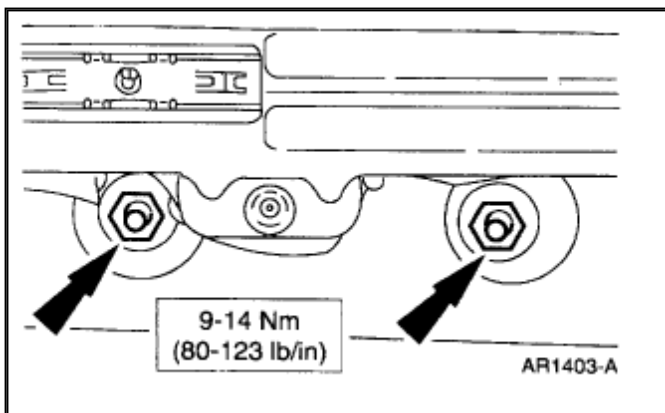
3. Disconnect the connector.



[Zoom](#)[Sized for Print](#)

4. Remove the rivets and the regulator.
5. Transfer the motor to the new regulator assembly.

INSTALLATION

[Zoom](#)[Sized for Print](#)

1. Follow the removal procedure in reverse order.