

Rear Brakes - Moaning/Groaning Noise

[Notes](#)

Article No.
00-26-5

12/25/00

^ BRAKES - REAR BRAKE NOISE- "MOANING/GROANING" FROM REAR BRAKES WHEN COLD

^ NOISE - "MOANING/GROANING" FROM REAR BRAKES WHEN COLD

MERCURY:
1999-2001 COUGAR ISSUE

Some vehicles equipped with rear disc brakes may exhibit a "moaning/groaning" noise on initial brake application (cold soak). This may be caused by the rear [brake pads](#) vibrating in the caliper. Braking performance is not affected by this condition.

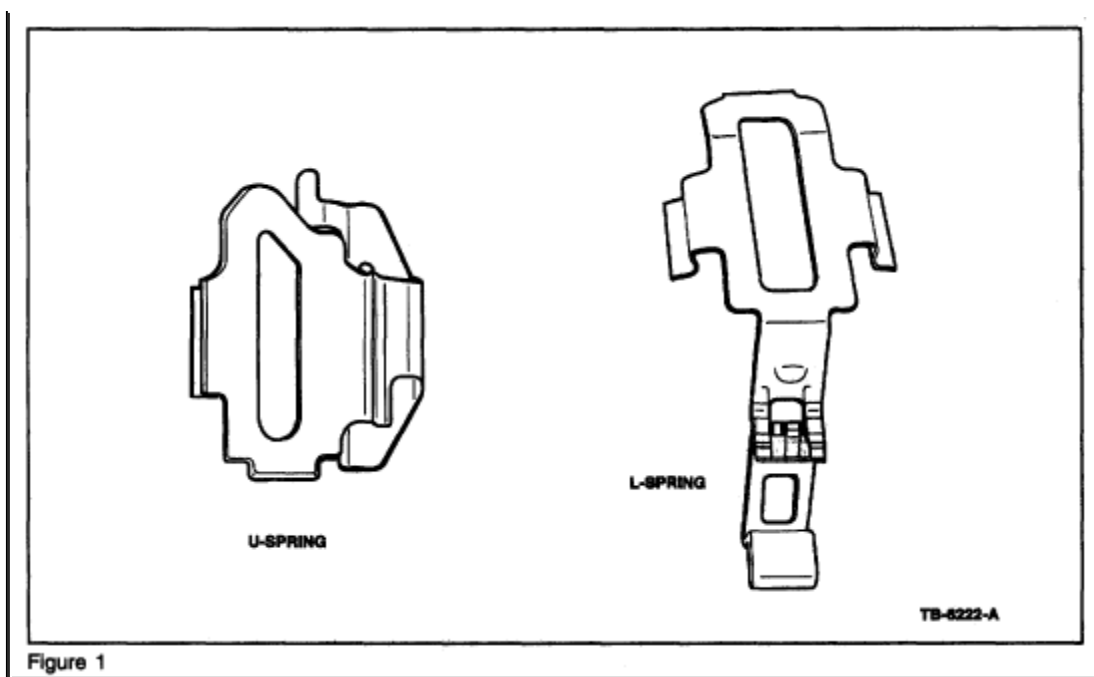
ACTION

Install revised Rear Disc Brake Service kit. Refer to the following Service Procedure for details.

SERVICE PROCEDURE

1. Lift and support vehicle. Refer to the appropriate Workshop Manual, Section 100-01.
2. Remove both rear tire assemblies.
3. Remove rear [brake pads](#) per instructions in the Workshop Manual, Section 206-04.



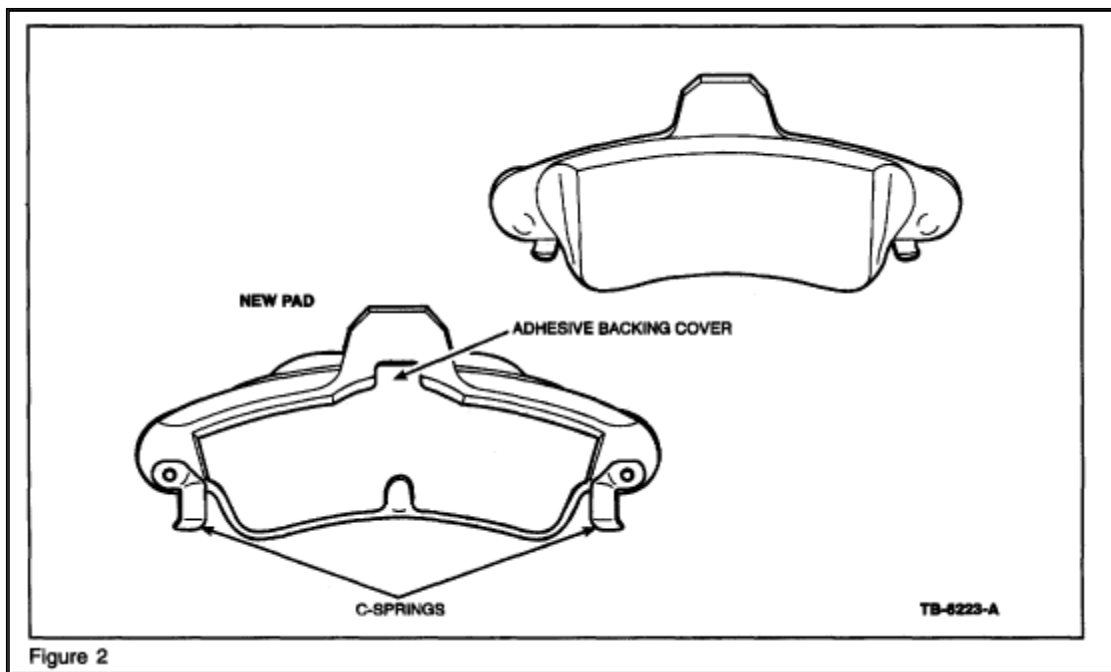


Zoom

Sized for Print

4. Remove U-spring from the top of the caliper and replace with L-spring supplied in kit (Figure 1).

NOTE THE LEG OF THE L-SPRING FACES THE OUTSIDE OF VEHICLE.

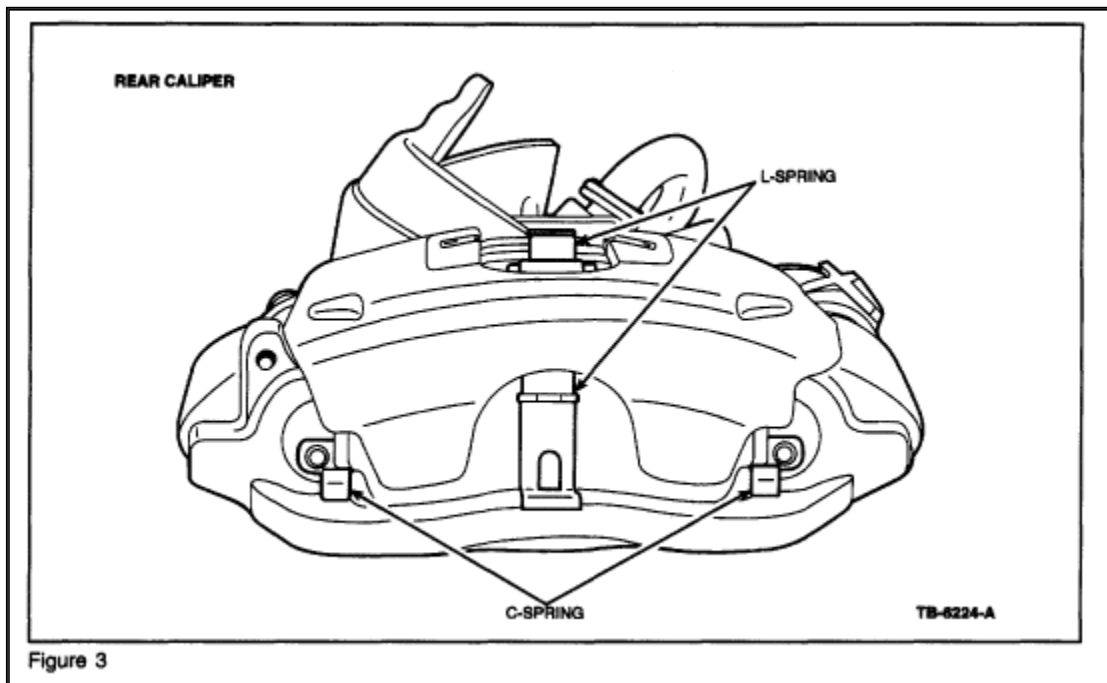


Zoom

Sized for Print

5. Remove adhesive backing protection from new pads with C-springs (Figure 2) and install new pads into caliper. Use Pads XS7Z-2200-M for vehicles without

Pad Wear Sensors (PWS) or XS7Z-2200-BA for vehicles with Pad Wear Sensors (PWS).



Zoom

Sized for Print

NOTE ENSURE THAT, WHEN INSTALLED, THE C-SPRINGS SIT ON THE EDGE OF THE CALIPER (SEE FIGURE 3).

6. Reinstall caliper. Refer to the Workshop Manual, Section 100-01.

PART NUMBER	PART NAME
XS7Z-2200-AA	Rear Disc Brake Pad Kit (Without Pad Wear Sensors)
XS7Z-2200-BA	Rear Disc Brake Pad Kit (With Pad Wear Sensors)

Zoom

Sized for Print

Parts Block

OTHER APPLICABLE ARTICLES: NONE

WARRANTY STATUS: Eligible Under The Provisions Of Bumper To Bumper Warranty Coverage.

OPERATION	DESCRIPTION	TIME
002605A	Install Revised Rear Disc Brake Service Kit	0.6 Hr.

Zoom

Sized for Print

OPERATION/DESCRIPTION/TIME