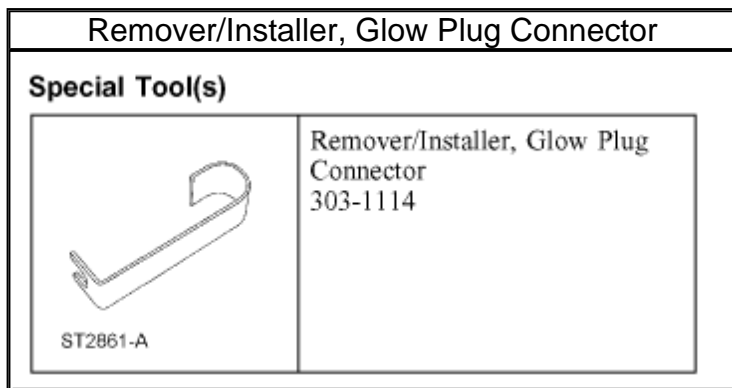


Glow Plug

[Notes](#)

GLOW PLUG

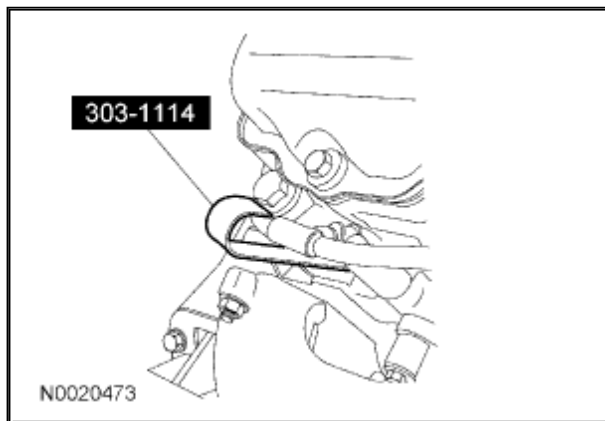


Zoom

Sized for Print

Special Tool(s)

Removal

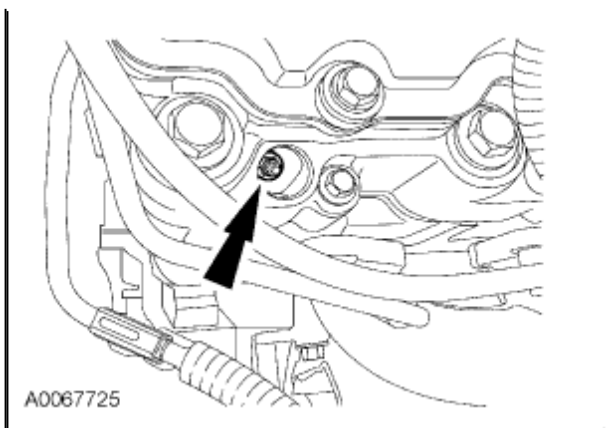


Zoom

Sized for Print

1. **CAUTION: Do not pull on the wiring to remove the glow plug connector or damage may occur. NOTE:** Only one glow plug connector shown. Using the special tool, remove the glow plug harness.



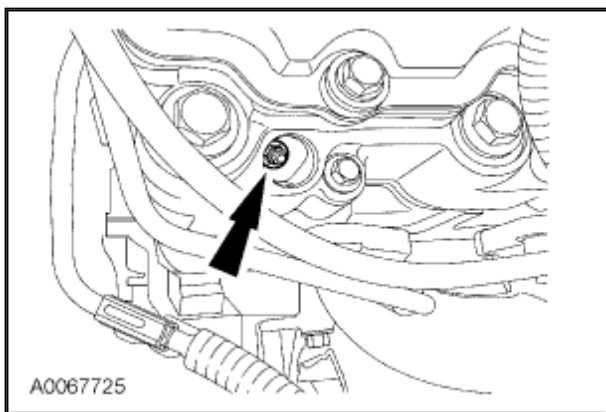


Zoom

Sized for Print

2. **NOTE:** If coolant residue is found on the glow plug, a new glow plug sleeve may have to be installed. Remove the glow plug.

Installation

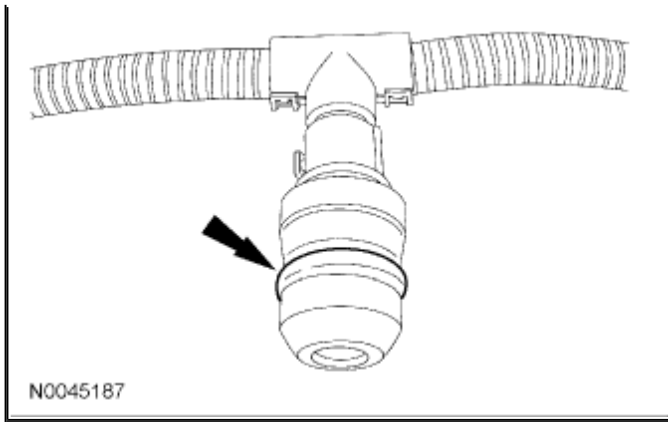


Zoom

Sized for Print

1. Install the glow plug.
 - Tighten to **19 Nm (14 lb-ft)** .

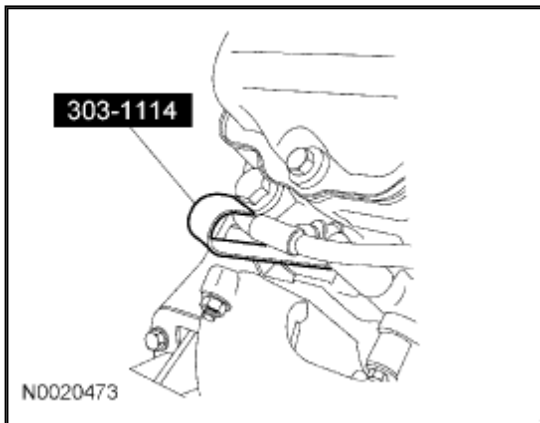




Zoom

Sized for Print

2. Clean and apply clean engine oil to the O-ring seals.



Zoom

Sized for Print

3. Using the special tool, install the glow plug harness.