
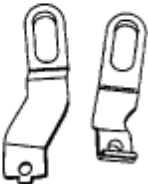


Transaxle Removal

[Notes](#)

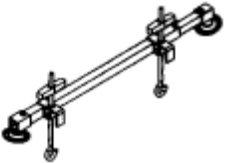

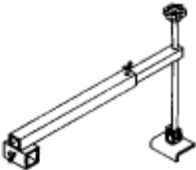

Transaxle - 3.0 L 4V

Part 1 Of 2	
 ST1582-A	Remover, Halfshaft 205-241 (T86P-3514-A) or equivalent
 ST2463-A	Lifting Bracket, Engine (3.0L 4V-V6) 134-00243 or equivalent

Zoom

Sized for Print

Part 2 Of 2	

 <p>ST2363-A</p>	<p>Support, Bar Engine 303-290A</p>
 <p>ST2378-A</p>	<p>Adapters for 303-290A 303-290A-01</p>
 <p>ST2379-A</p>	<p>Adapter for 303-290A (Support Leg) 303-290A-03A</p>
 <p>ST1185-A</p>	<p>Slide Hammer 100-001 (T50T-100-A)</p>

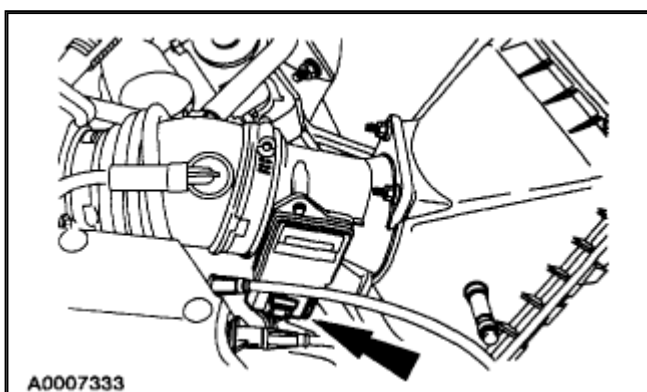
Zoom

Sized for Print

Special Tool(s)

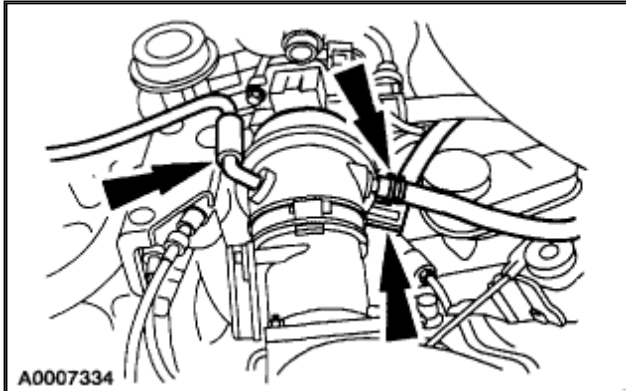
Removal

1. Remove the battery.

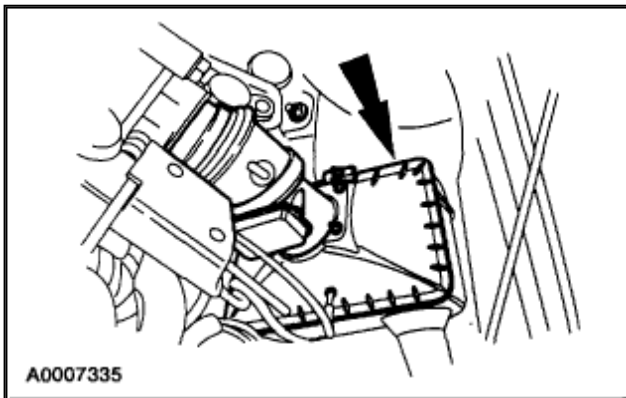


[Zoom](#)[Sized for Print](#)

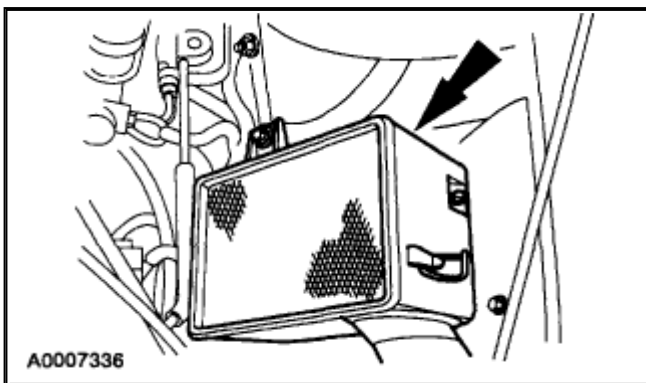
2. Disconnect the mass air flow (**MAF**) sensor.

[Zoom](#)[Sized for Print](#)

3. Disconnect the breather tubes.

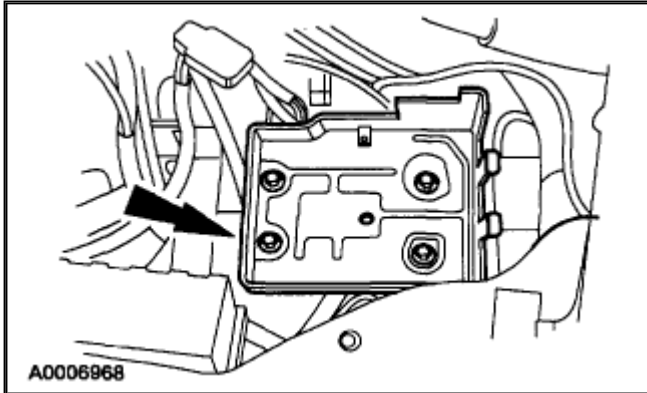
[Zoom](#)[Sized for Print](#)

4. Remove the engine air cleaner.

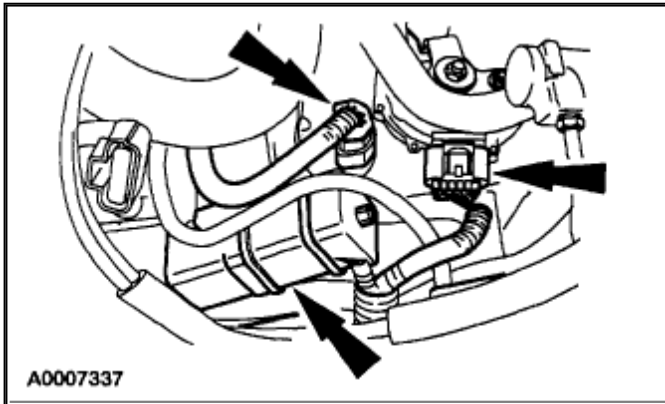


[Zoom](#)[Sized for Print](#)

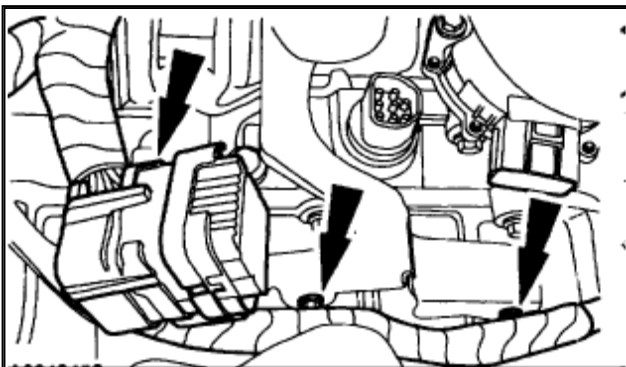
5. Remove the air filter assembly.

[Zoom](#)[Sized for Print](#)

6. Remove the battery tray.

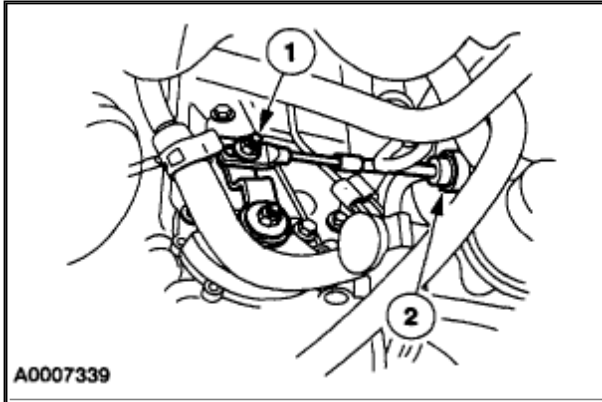
[Zoom](#)[Sized for Print](#)

7. Disconnect the connectors.



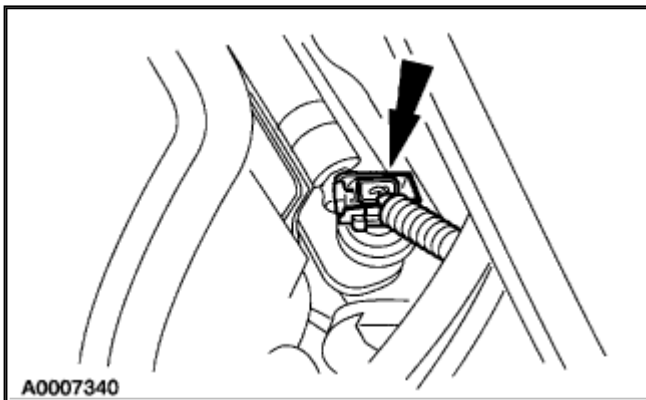
[Zoom](#)[Sized for Print](#)

8. Remove the electrical connector and the wiring harness from the bracket.

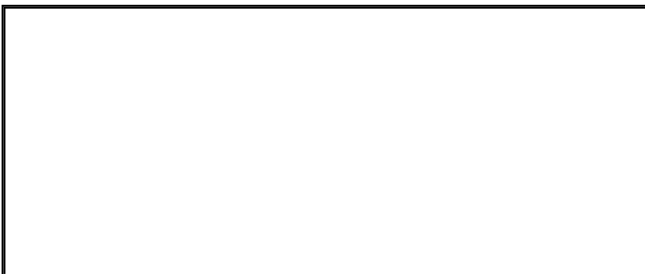
[Zoom](#)[Sized for Print](#)

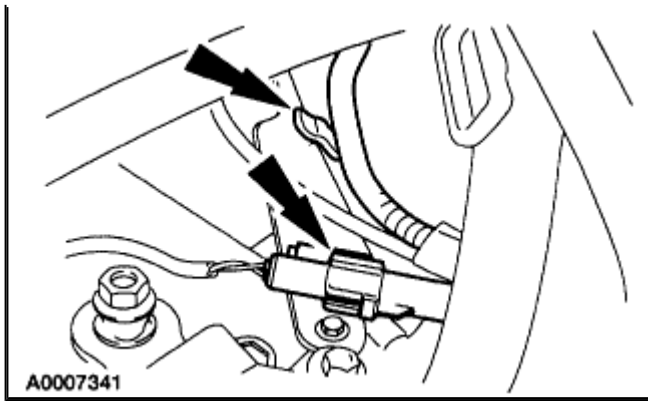
9. Remove the manual control lever cable.

1. Remove the nut.
2. Remove the shift actuator cable fitting from the [shift cable](#) and bracket.

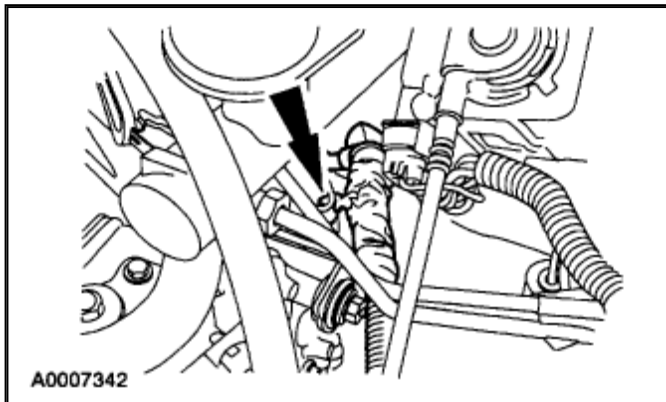
[Zoom](#)[Sized for Print](#)

10. Disconnect the power steering sensor connector.

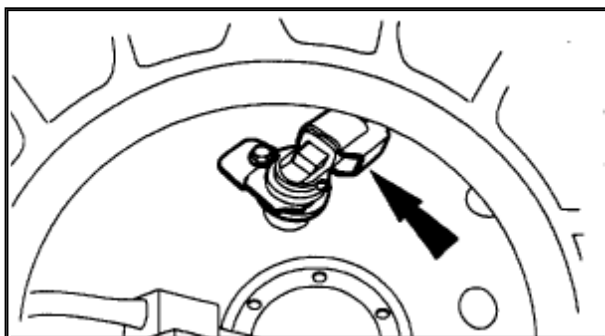


[Zoom](#)[Sized for Print](#)

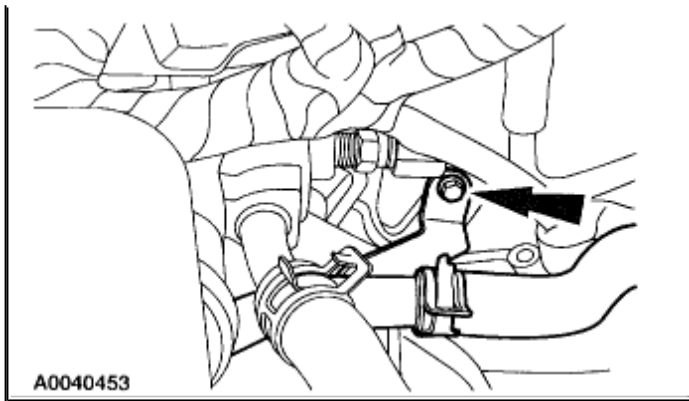
11. Disconnect the power steering harness and [output shaft](#) speed (**OSS**) sensor connector.

[Zoom](#)[Sized for Print](#)

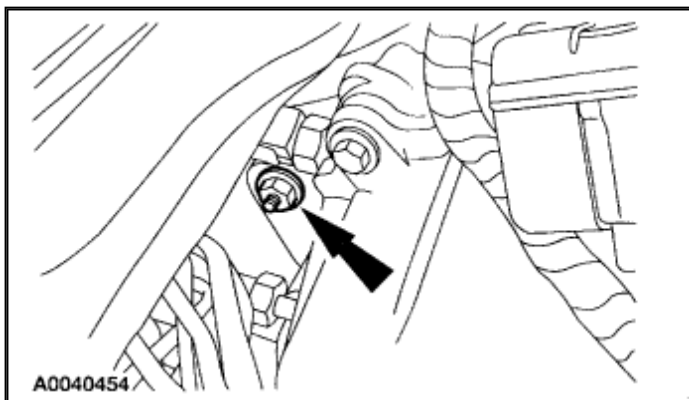
12. Disconnect the wiring harness from the [shift cable](#) bracket.

[Zoom](#)[Sized for Print](#)

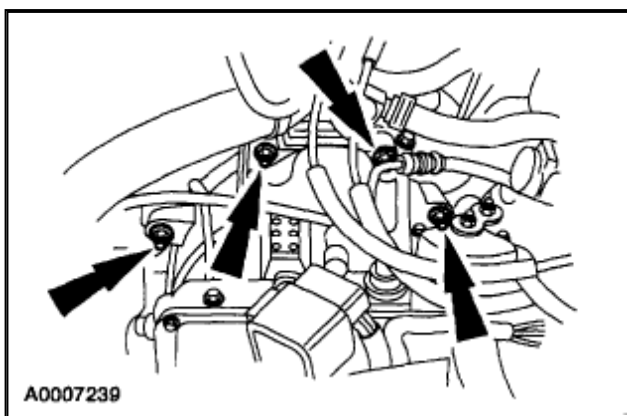
13. Disconnect the [turbine shaft](#) speed (**TSS**) sensor.

[Zoom](#)[Sized for Print](#)

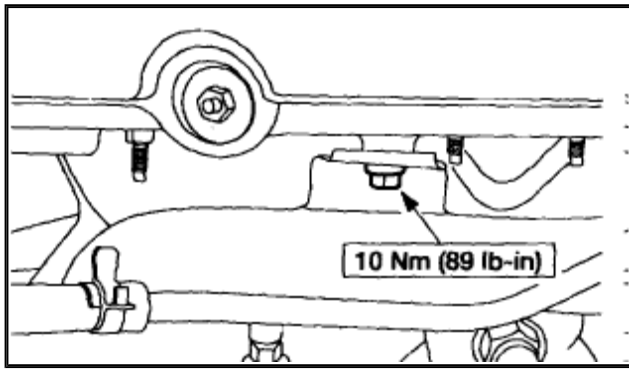
14. Remove the bolt from the coolant pipe bracket.

[Zoom](#)[Sized for Print](#)

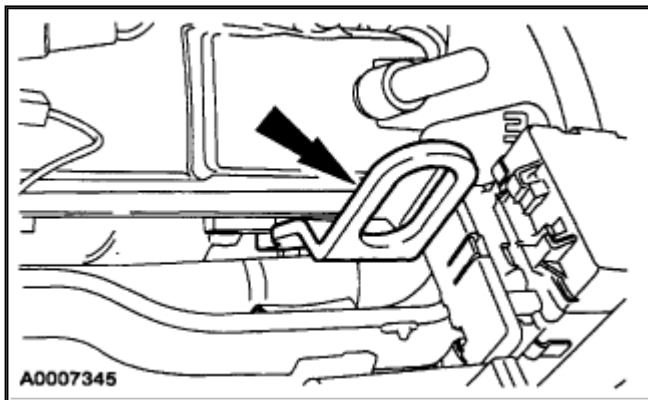
15. Remove the nut from the coolant pipe bracket.

[Zoom](#)[Sized for Print](#)

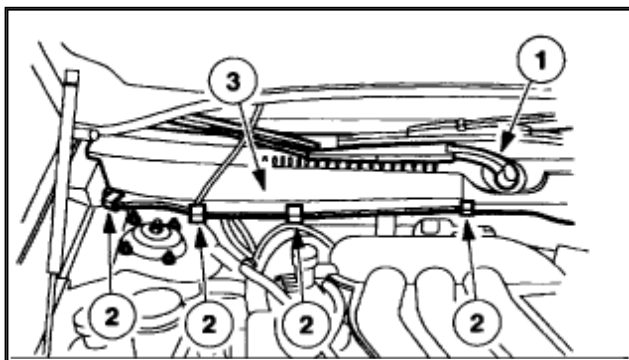
16. Remove the bolts.

[Zoom](#)[Sized for Print](#)

17. Remove the nut for the cooling tube.

[Zoom](#)[Sized for Print](#)

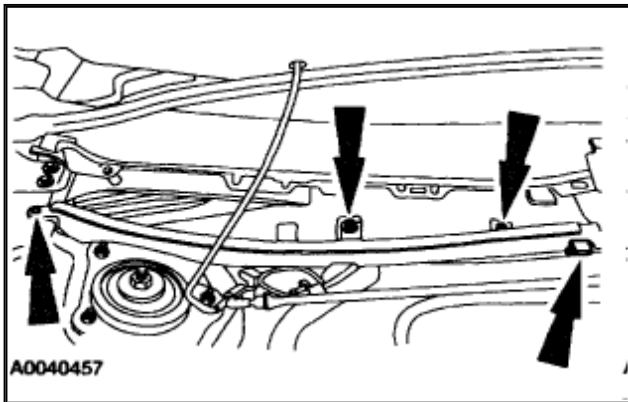
18. Install the engine lifting bracket.

[Zoom](#)[Sized for Print](#)

19. Remove the upper cowl assembly.

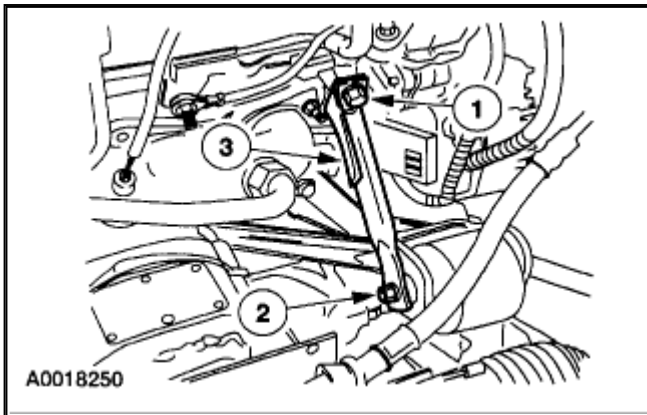
1. Remove the wiper.

2. Remove the clips.
3. Remove the upper cowl assembly.

[Zoom](#)[Sized for Print](#)

20. Remove the lower cowl assembly.

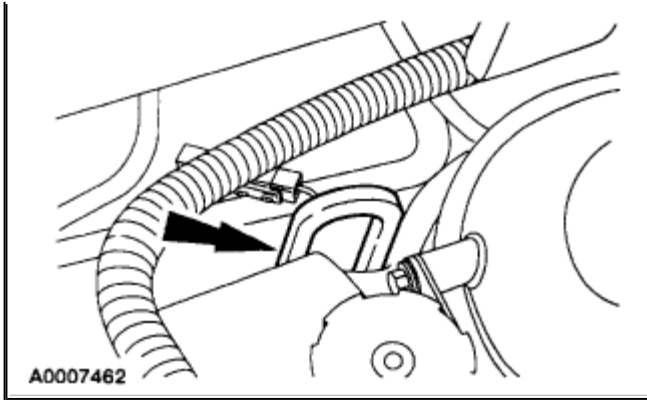
- Remove the three screws.
- Remove the clip.

[Zoom](#)[Sized for Print](#)

21. Remove the rear support brace.

1. Remove the bolt.
2. Remove the nut.
3. Remove the rear support brace.

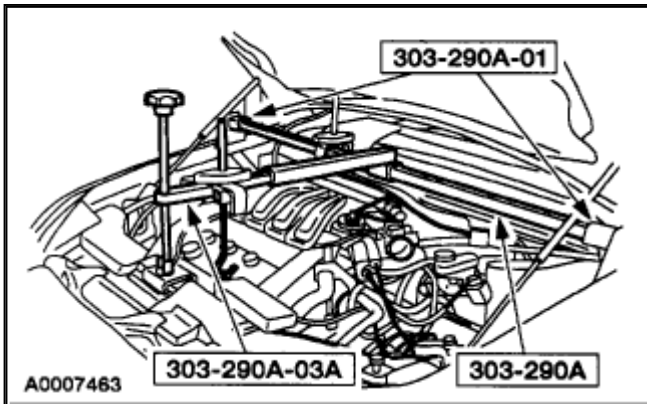




Zoom

Sized for Print

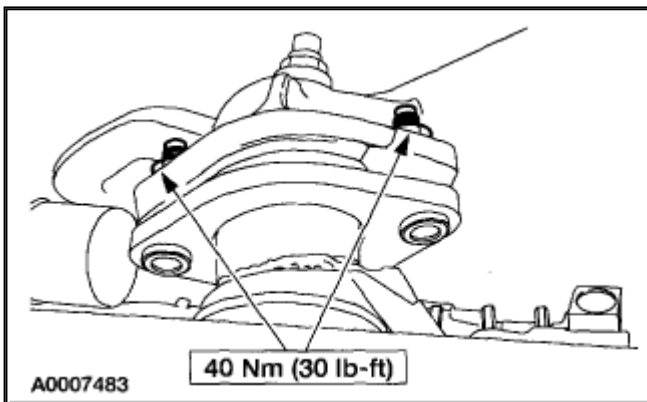
22. Install the rear engine lifting bracket in the same location where the top bolt was removed from the rear support brace.



Zoom

Sized for Print

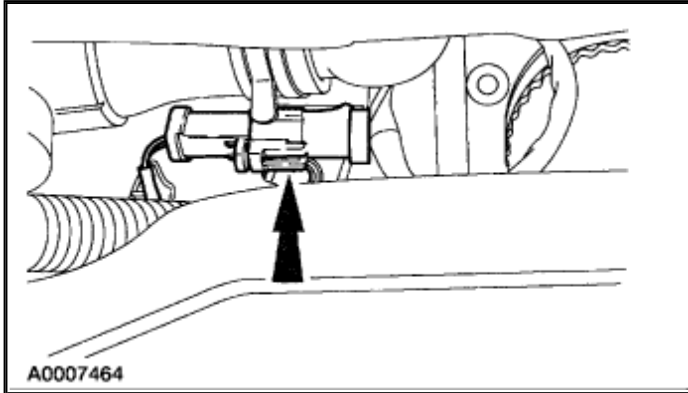
23. Install the 3 Bar Engine Support.



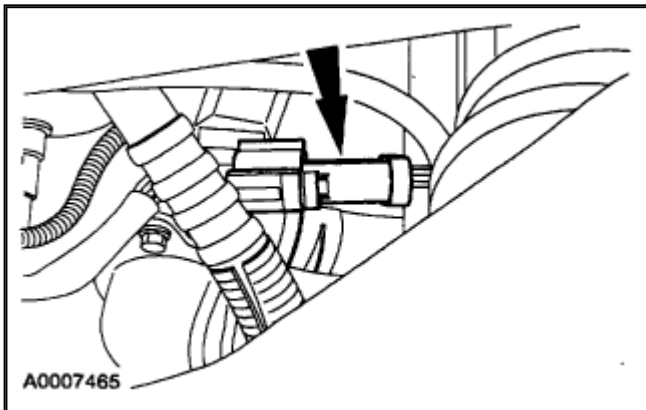
Zoom

Sized for Print

24. **NOTE:** It may be easier to access the nuts for the exhaust flange from the engine compartment. Remove the front nuts from the front catalytic converter assembly.
25. Raise the vehicle.
26. Drain the transmission fluid by lowering the transaxle pan.

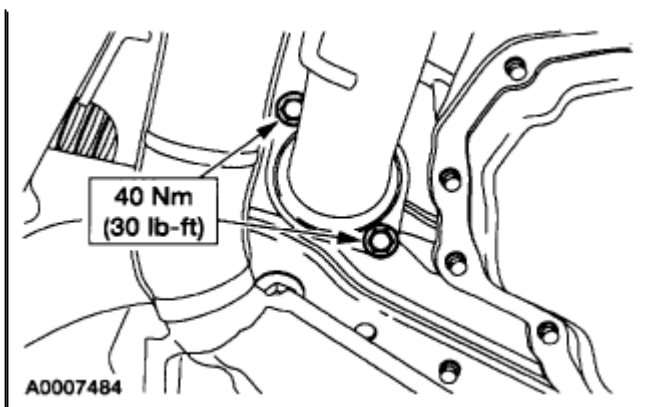
[Zoom](#)[Sized for Print](#)

27. Disconnect the front HO2S sensor connector.

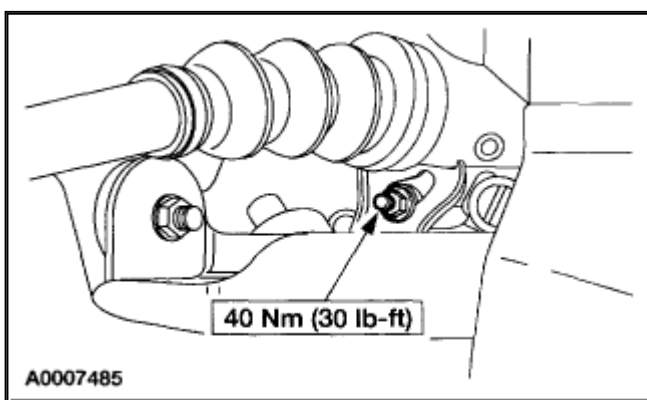
[Zoom](#)[Sized for Print](#)

28. Disconnect the rear HO2S sensor connector.

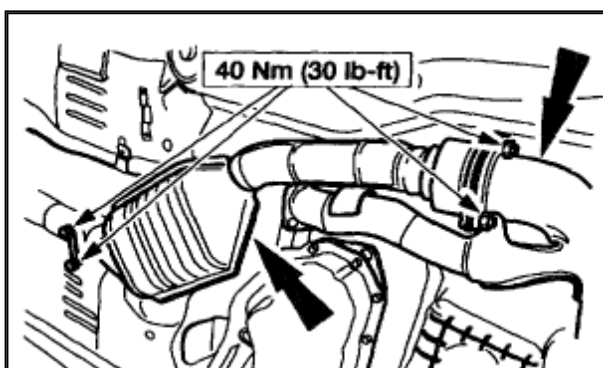


[Zoom](#)[Sized for Print](#)

29. Remove the rear bolts from the front catalytic converter assembly.

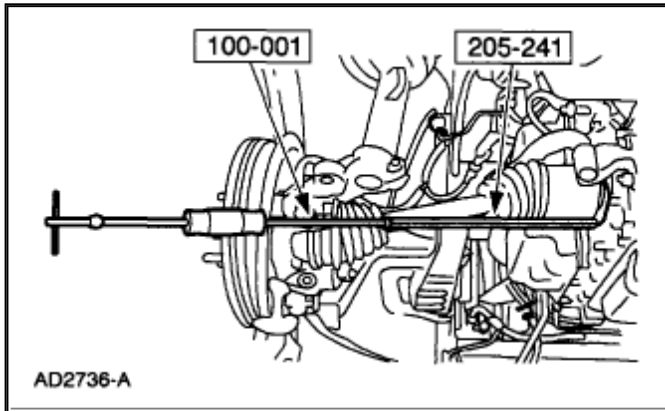
[Zoom](#)[Sized for Print](#)

30. Remove the nut from the rear catalytic converter assembly.

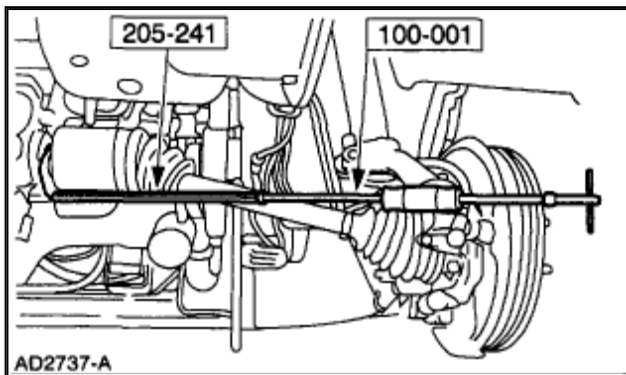
[Zoom](#)[Sized for Print](#)

31. Remove the rear catalytic converter and cross over pipe assembly.
32. **CAUTION:** If the steering gear is removed with the subframe, do not allow

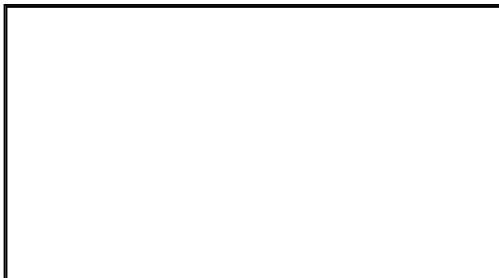
the steering wheel to rotate while the steering column intermediate is disconnected or damage to the clockspring can result. If there is evidence that the shaft has rotated, the clockspring must be recentered before the vehicle is driven. Remove the sub frame assembly.

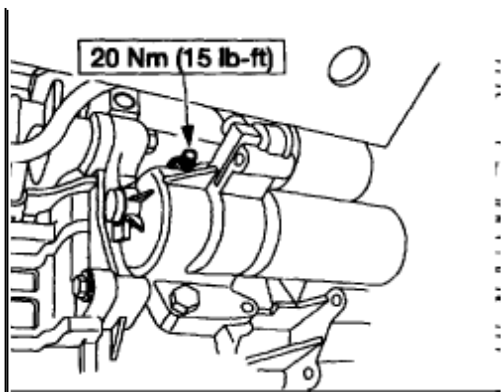
[Zoom](#)[Sized for Print](#)

33. **NOTE:** The use of mechanic's wire will aid in positioning the halfshaft out of the way. Using the special tools, remove the LH halfshaft from the transaxle and position out of the way.

[Zoom](#)[Sized for Print](#)

34. **NOTE:** The use of mechanic's wire will aid in positioning the halfshaft out of the way. Using the special tools, remove the RH halfshaft from the transaxle and position out of the way.

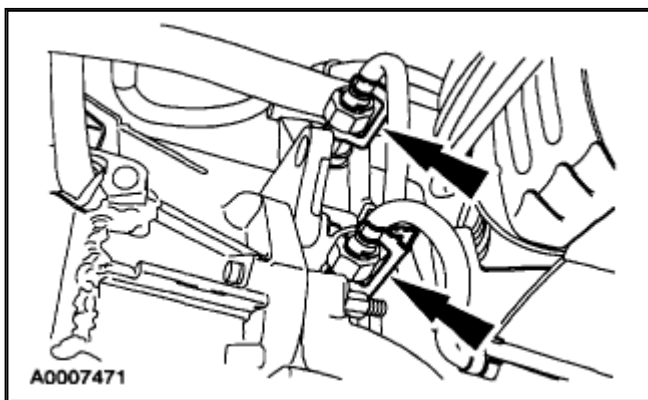




Zoom

Sized for Print

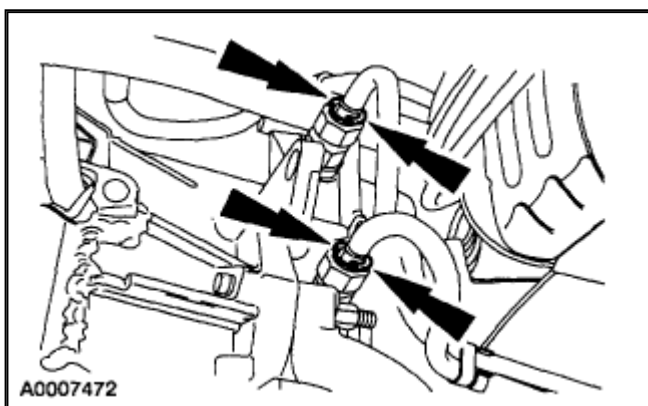
35. Remove the nut and the battery ground cable.
36. Remove the starter motor.



Zoom

Sized for Print

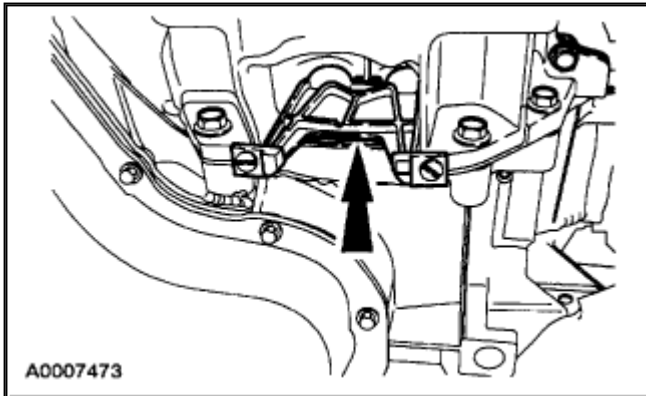
37. Remove the cooler line retaining clips.



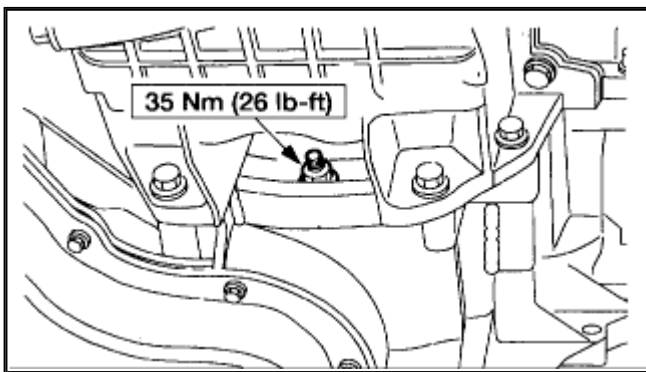
Zoom

Sized for Print

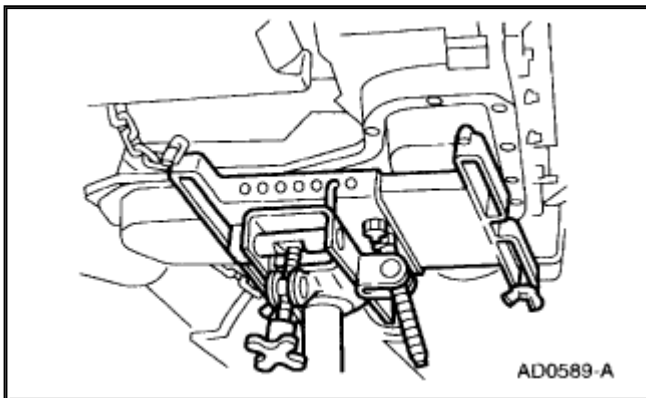
38. Depress the tabs on the plastic insert retainer and remove the cooler lines from the fitting.

[Zoom](#)[Sized for Print](#)

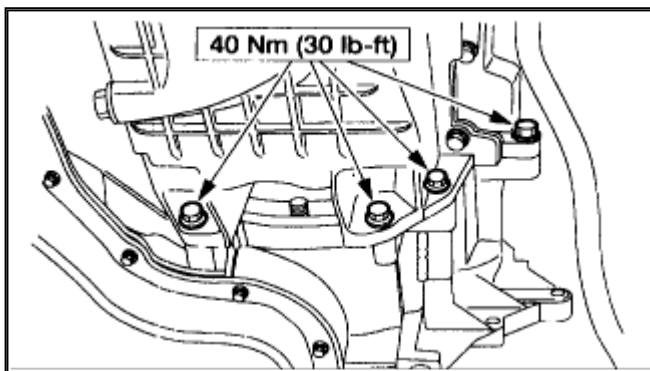
39. Remove the transmission housing cover.

[Zoom](#)[Sized for Print](#)

40. Remove and discard the four [torque converter](#) to flexplate nuts.

[Zoom](#)[Sized for Print](#)

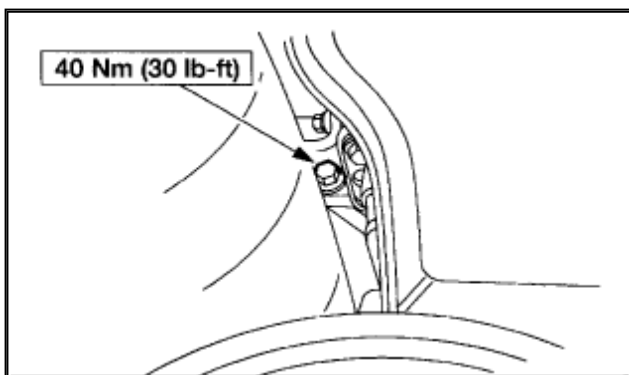
41. Position the high lift transmission jack under the transaxle.



Zoom

Sized for Print

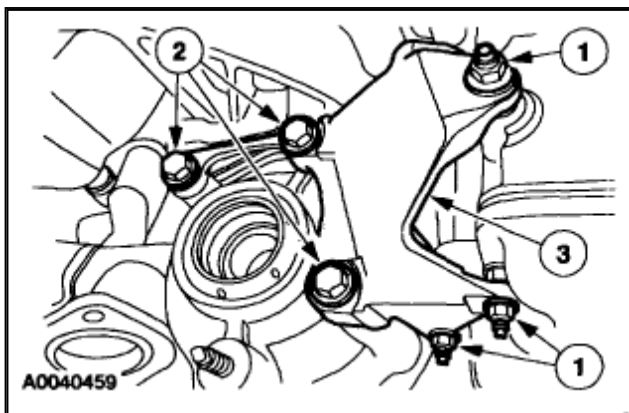
42. Remove the transaxle retaining bolts.



Zoom

Sized for Print

43. Remove the transaxle retaining bolt.



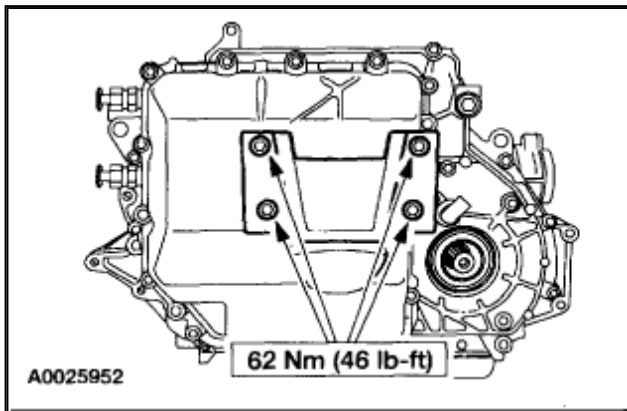
Zoom

Sized for Print

44. Remove the support bracket.

1. Remove the nuts.
2. Remove the bolts.
3. Remove the bracket.

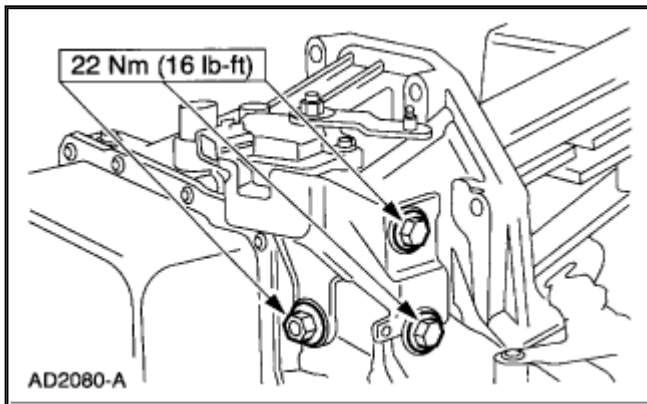
45. Lower the transaxle assembly from the engine compartment.



Zoom

Sized for Print

46. Remove the rear engine support mount.



Zoom

Sized for Print

47. Remove the bracket.

48. Remove the wiring harness bracket from the transmission.

49. Carry out transmission fluid cooler backflushing and cleaning.