
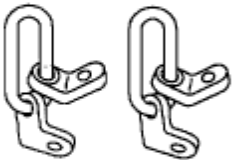
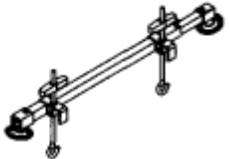


## Transaxle Removal


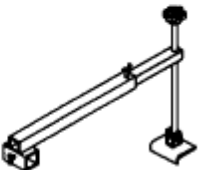
[Notes](#)

### Transaxle

Part 1 Of 2	
 ST1582-A	Remover, Halfshaft 205-241 (T86P-3514-A) or equivalent
 ST1595-A	Lifting Bracket, Engine (3.0L 2V) 303-050 (T70P-6000) or equivalent
 ST2363-A	Support, Bar Engine 303-290A

Zoom

Sized for Print

 ST2378-A	Adapters for 303-290 303-290A-01
 ST2379-A	Adapters for 303-290A (Support Leg) 303-290A-03A

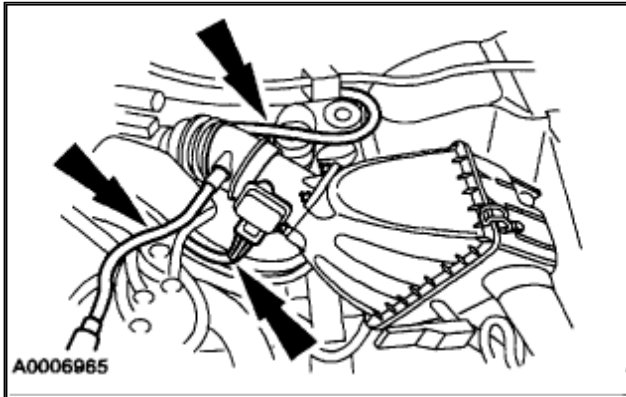
Zoom

Sized for Print

## Special Tool(s)

## Removal

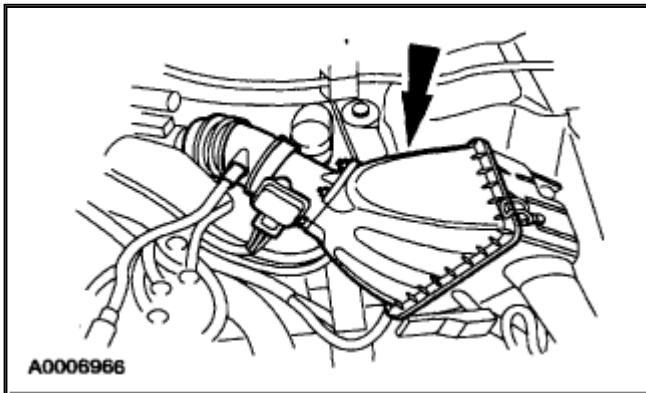
1. Remove the battery.



Zoom

Sized for Print

2. Disconnect the mass air flow (**MAF**) sensor and the breather tubes.

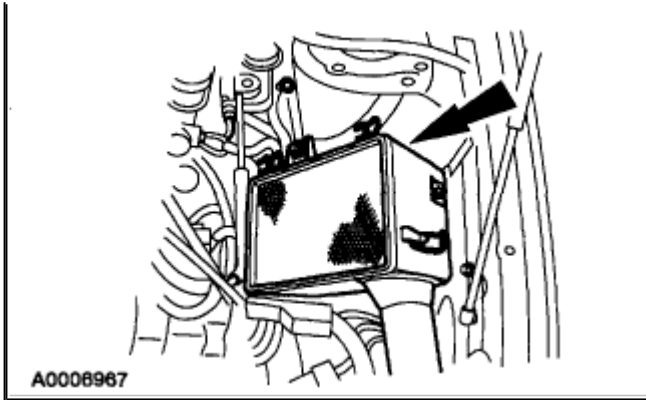


Zoom

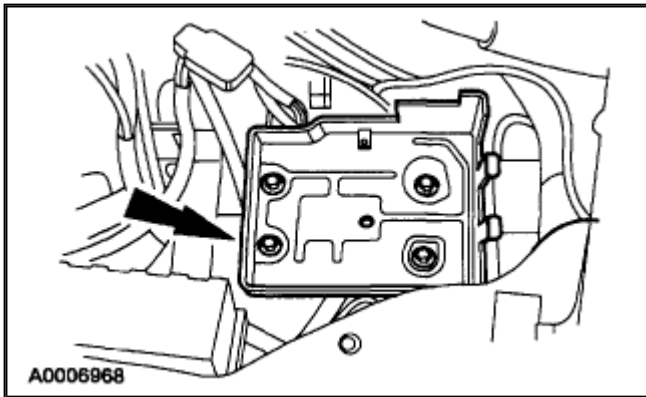
Sized for Print

3. Remove the engine air cleaner.

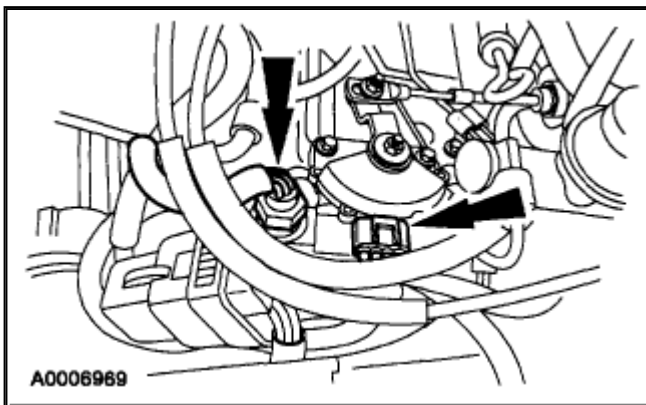


[Zoom](#)[Sized for Print](#)

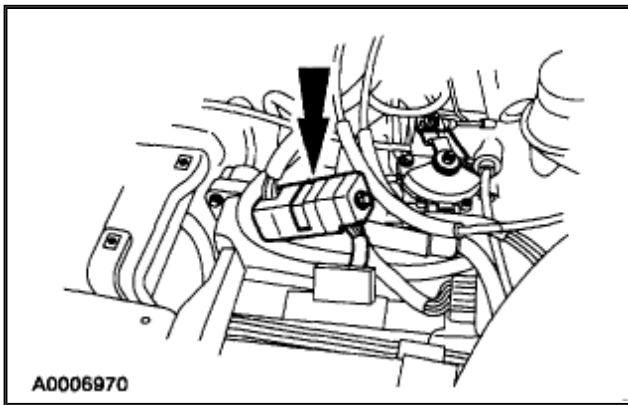
4. Remove the air filter assembly.

[Zoom](#)[Sized for Print](#)

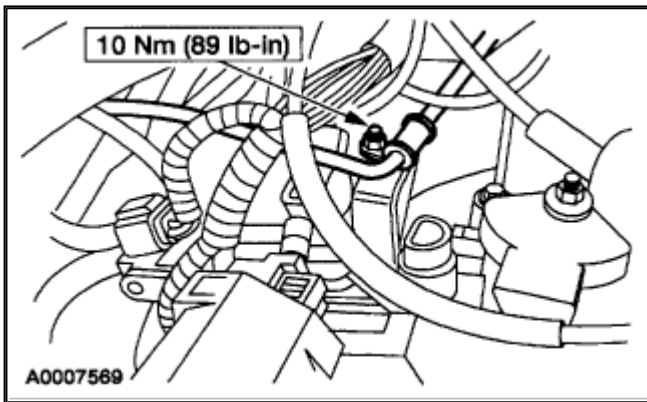
5. Remove the battery tray.

[Zoom](#)[Sized for Print](#)

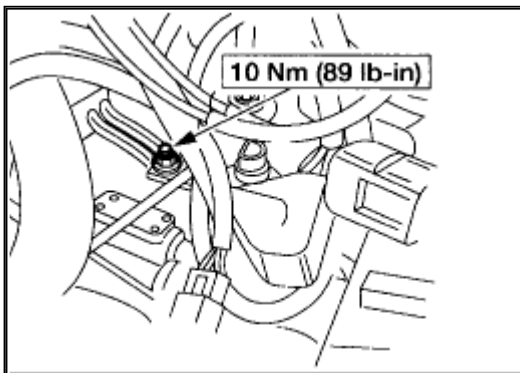
6. Disconnect the connectors.

[Zoom](#)[Sized for Print](#)

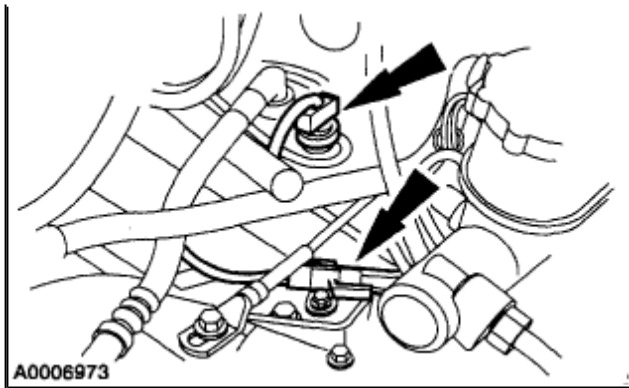
7. Disconnect the connector.

[Zoom](#)[Sized for Print](#)

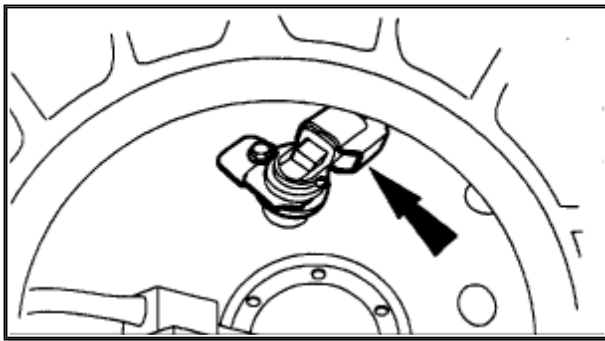
8. Remove the power steering line bracket.

[Zoom](#)[Sized for Print](#)

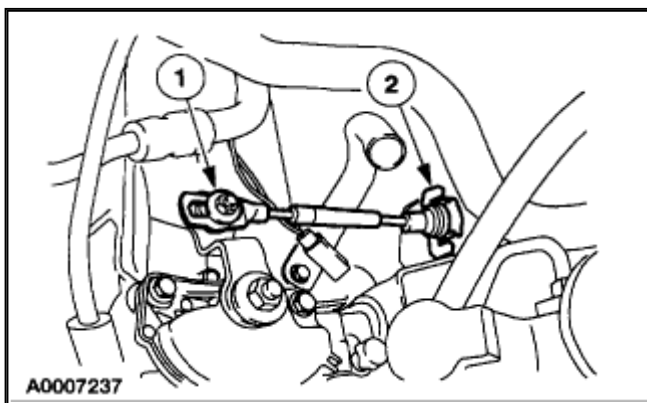
9. Remove the electrical connector bracket.

[Zoom](#)[Sized for Print](#)

10. Disconnect the power steering and [output shaft](#) speed (**OSS**) sensor connectors.

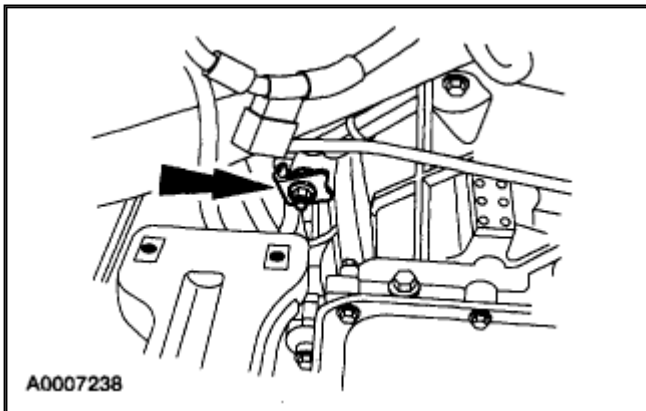
[Zoom](#)[Sized for Print](#)

11. Disconnect the [turbine shaft](#) speed (**TSS**) sensor connector

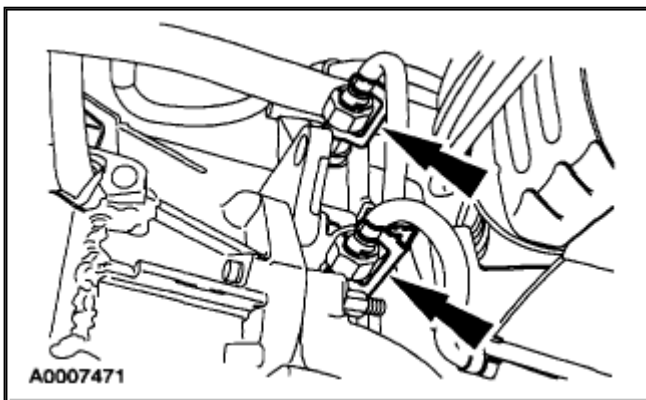
[Zoom](#)[Sized for Print](#)

12. Remove the manual control lever cable.

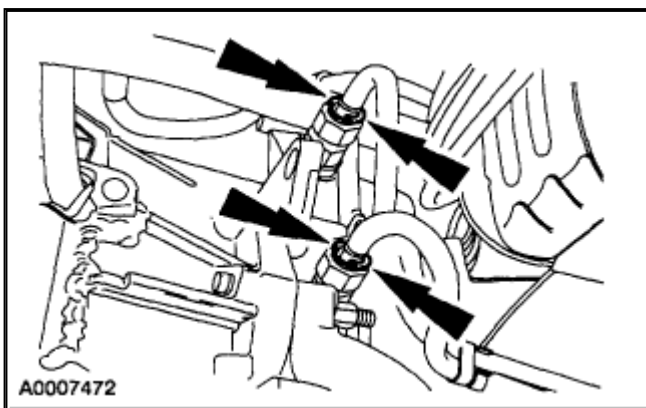
1. Remove the nut.
2. Remove the shift actuator cable fitting from the [shift cable](#) and bracket.

[Zoom](#)[Sized for Print](#)

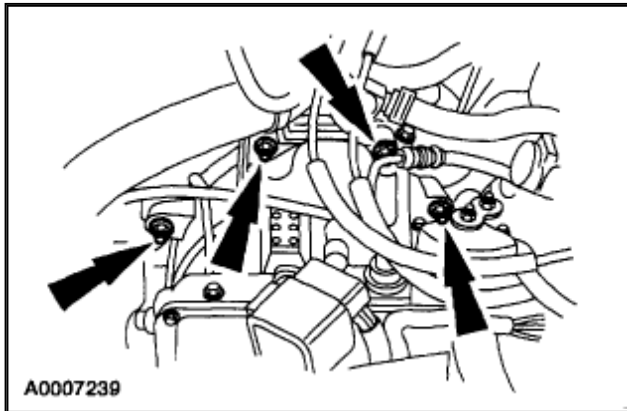
13. Remove the ground cable and bracket.

[Zoom](#)[Sized for Print](#)

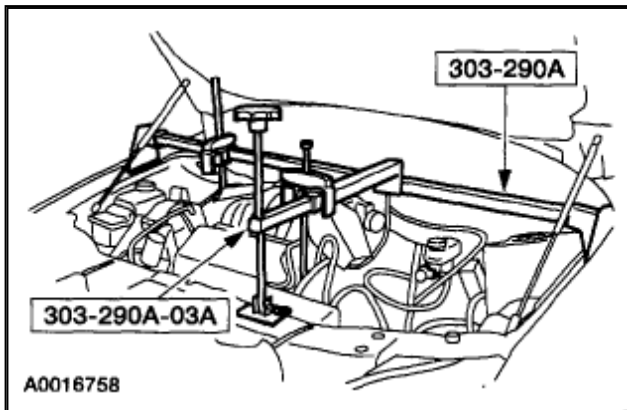
14. Remove the cooler line retaining clips.

[Zoom](#)[Sized for Print](#)

15. Depress the tabs on the plastic insert retainer and remove the cooler lines from the fitting.

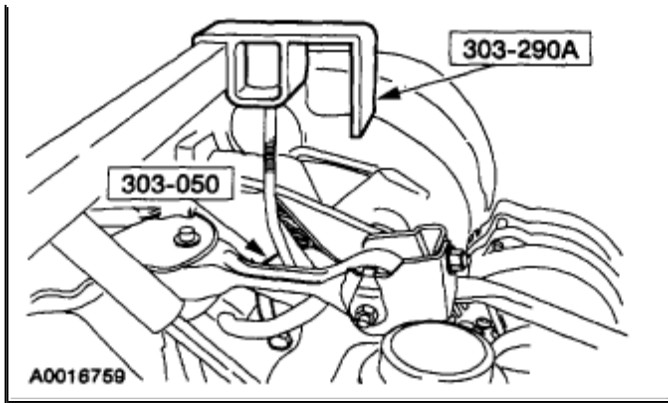
[Zoom](#)[Sized for Print](#)

16. Remove the bolts.

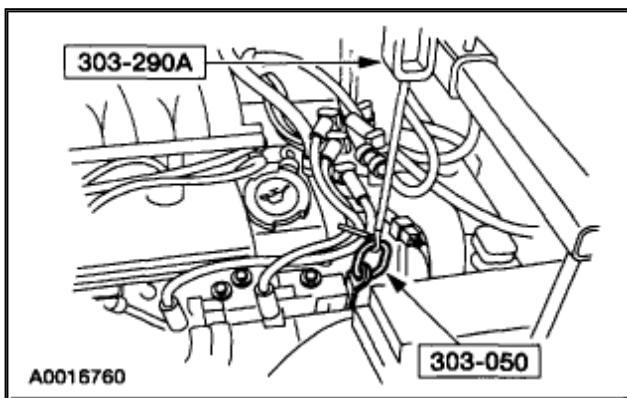
[Zoom](#)[Sized for Print](#)

17. Install the special tools.



[Zoom](#)[Sized for Print](#)

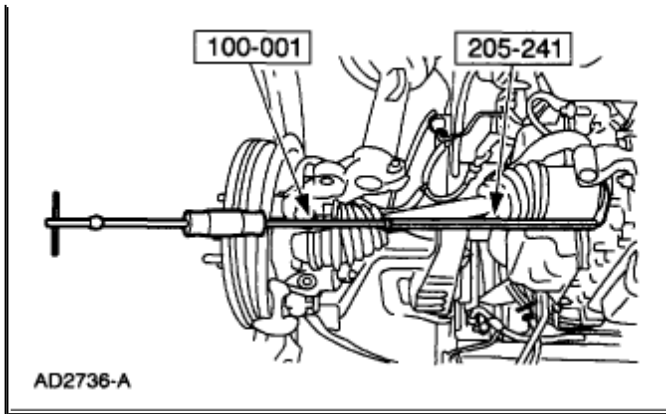
18. Install the special tool on the right hand (back) side of the engine.

[Zoom](#)[Sized for Print](#)

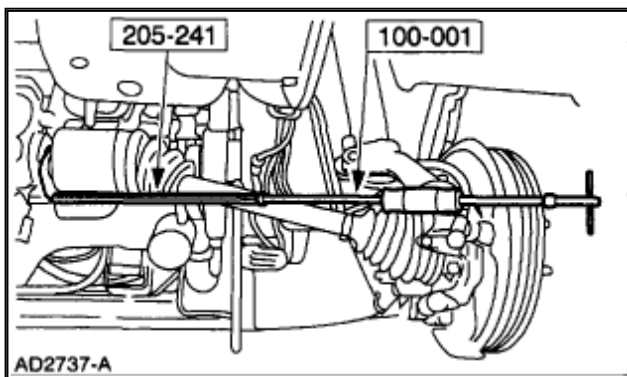
19. Install the special tool on the left hand (front) side of the engine.
20. Raise the vehicle.
21. Drain the transmission fluid by lowering the transaxle pan.
22. **CAUTION:** If the steering gear is removed with the subframe, do not allow the steering wheel to rotate while the steering column intermediate shaft is disconnected or damage to the air bag clockspring can result. If there is evidence that the shaft has rotated, the clockspring must be recentered before the vehicle is driven. Remove the subframe assembly.



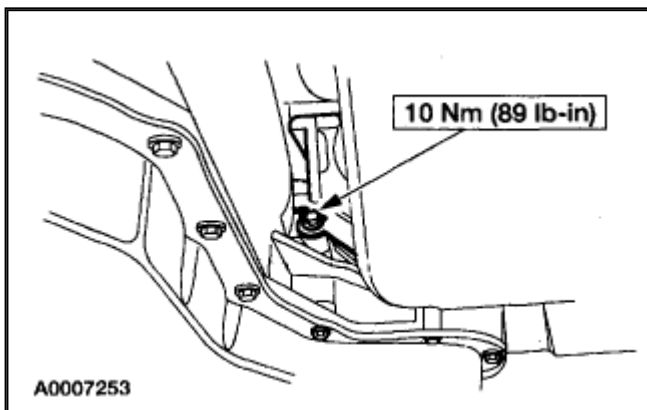


[Zoom](#)[Sized for Print](#)

23. **NOTE:** The use of mechanic's wire will aid in positioning the halfshaft out of the way. Using the special tools, remove the LH halfshaft from the transaxle and position out of the way.

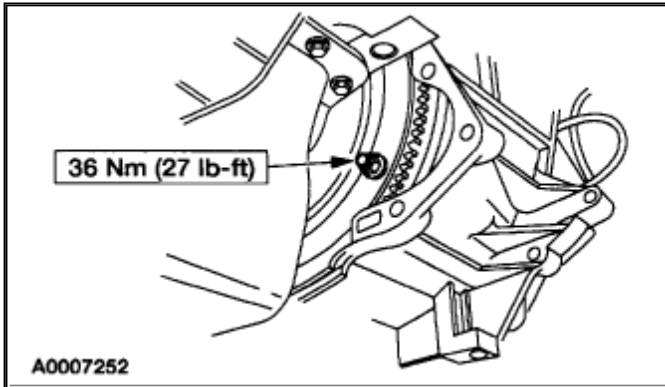
[Zoom](#)[Sized for Print](#)

24. **NOTE:** The use of mechanic's wire will aid in positioning the halfshaft out of the way. Using the special tools, remove the RH halfshaft from the transaxle and position out of the way.
25. Remove the starter motor.

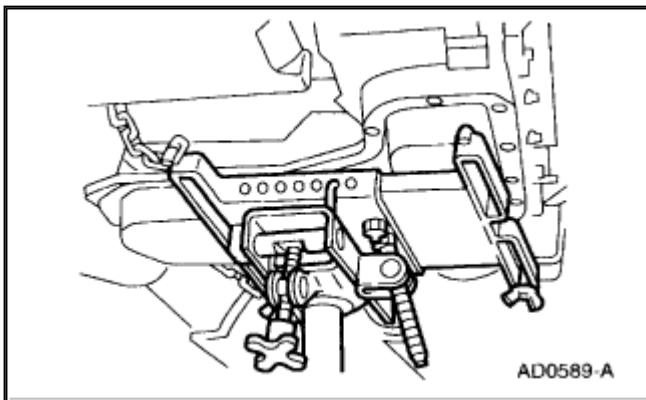


[Zoom](#)[Sized for Print](#)

26. Remove the transmission housing cover.

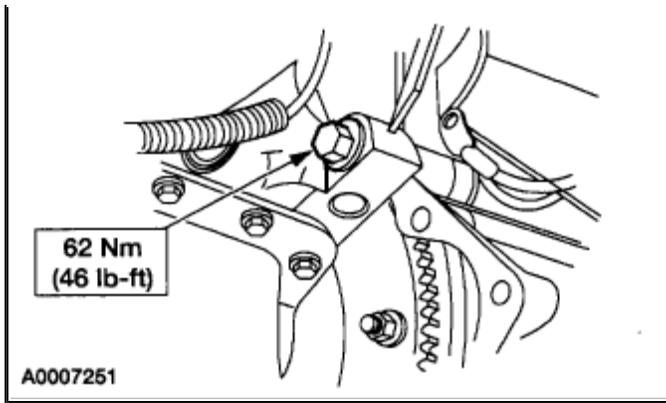
[Zoom](#)[Sized for Print](#)

27. Remove and discard the four [torque converter](#) to flexplate nuts.

[Zoom](#)[Sized for Print](#)

28. Position the high lift transmission jack under the transaxle.

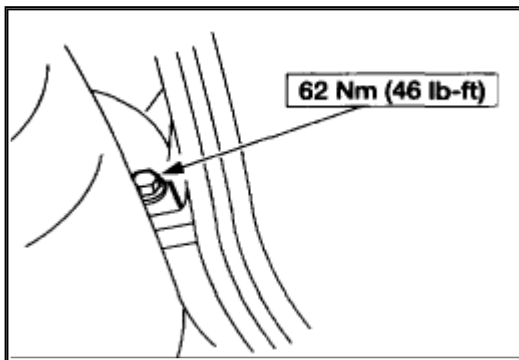




Zoom

Sized for Print

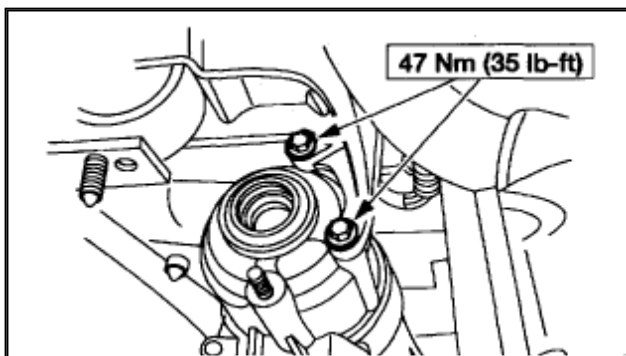
29. Remove the transaxle retaining bolt.



Zoom

Sized for Print

30. Remove the transaxle retaining bolt.

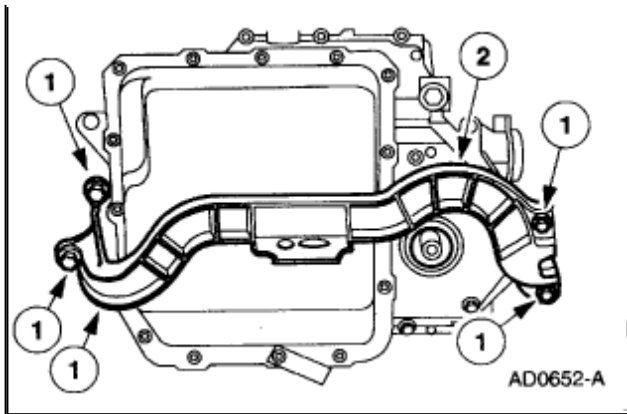


Zoom

Sized for Print

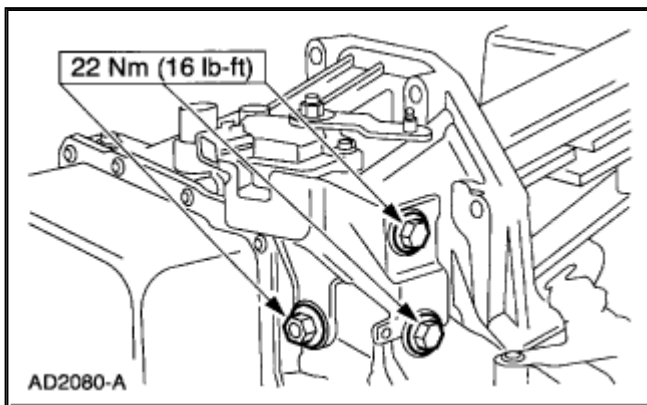
31. Remove the bolts.  
32. Lower the transaxle assembly from the engine compartment.



[Zoom](#)[Sized for Print](#)

33. Remove the rear engine support bracket.

1. Remove the bolts.
2. Remove the support bracket.

[Zoom](#)[Sized for Print](#)

34. Remove the bracket.

35. Carry out transmission fluid cooler backflushing and cleaning.