

Alignment - Irregular Front Tire Wear

[Notes](#)

TSB 05-11-11

06/13/05

IRREGULAR TIRE WEAR

FORD:
2003-2005 Explorer Sport Trac

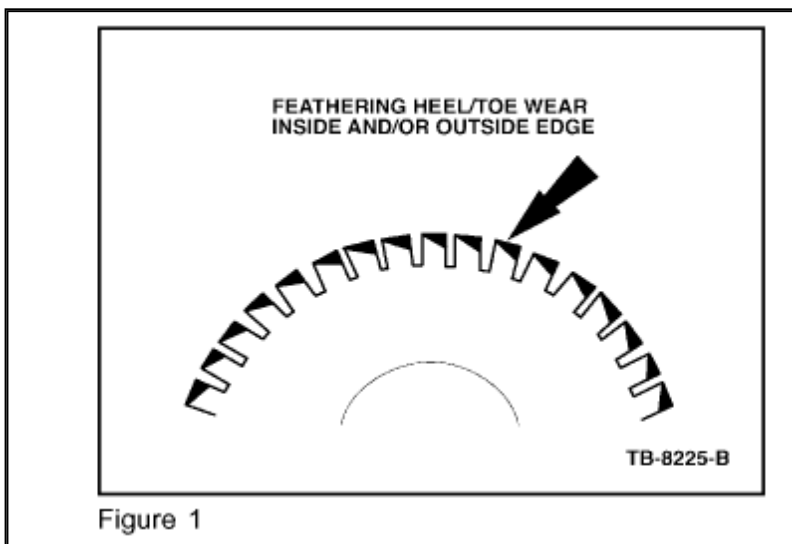
ISSUE

Some 2003-2005 Explorer Sport Trac vehicles equipped with the Goodyear Wrangler RT/S, P255/70R16 109S AT OWL tire, may exhibit signs of feathering heel-toe wear on the inside or outside edges of the front [tires](#). Tire noise may also be present during regular highway drive or when braking.

ACTION

Inspect the [tires](#) for feathering heel-toe wear. It may be necessary to rotate or replace tires and reset toe. Refer to the following Service Procedure.

SERVICE PROCEDURE

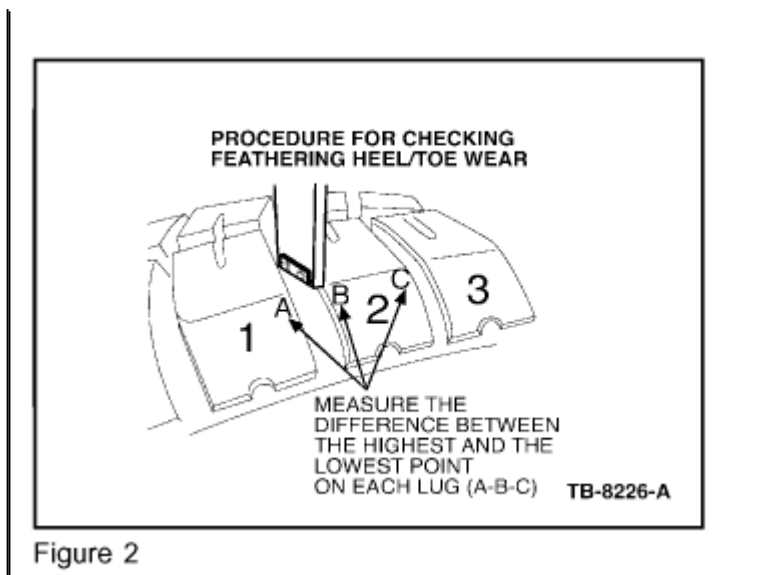


Zoom

Sized for Print

1. Visually inspect the front tire's inside and outside shoulder ribs (Figure 1).





Zoom

Sized for Print

2. Measure the difference in tread depth of the leading edge compared to trailing edge, of the most-worn lug (figure 2). If the average difference in tread depth between leading and trailing edge is less than 2 mm, rotate the [tires](#). If the average difference is more than 2 mm, replace the front tires. Also inspect the rear tires and replace if necessary.
3. Ensure that the camber and caster readings are within specification.
4. Set the total front toe (TFT) to 0.12 +/- 0.05 degrees (nominal).

NOTE IT IS VERY IMPORTANT THAT THE TOE BE SET POSITIVE TO 0.12 +/- 0.05 DEGREES (NOMINAL).

NOTE REFER TO WORKSHOP MANUAL SECTION 204-00 FOR ALIGNMENT PROCEDURES. REFER TO THE WARRANTY AND POLICY MANUAL FOR TIRE AND ALIGNMENT REIMBURSEMENT COVERAGE.

WARRANTY STATUS: Eligible Under Provisions Of New Vehicle Limited Warranty Coverage

OPERATION	DESCRIPTION	TIME
051111A	2003-2005 Explorer Sport Trac: Inspect Tires , Check And Adjust Front End Alignment	2.0 Hrs.
051111B	2003-2005 Explorer Sport Trac: Inspect Tires , Rotate Tires , Check And Adjust Front End Alignment	2.1 Hrs.
051111C	2003-2005 Explorer Sport Trac: Inspect Tires , Replace And Balance 2	2.3 Hrs.

Tires, Check And Adjust
Front End Alignment

051111D

2003-2005 Explorer Sport Trac: Inspect Tires, Replace And Balance 4 Tires, Check And Adjust Front End Alignment (Do Not Use Any Of The Labor Operations With 1007AT, 1007AF, 1007AFT, 1007AB, 1007ABT, 1007D, 1007D3T 1007D3F, 1007D3FT, 1007D3B, 1007D3BT)

2.7 Hrs.