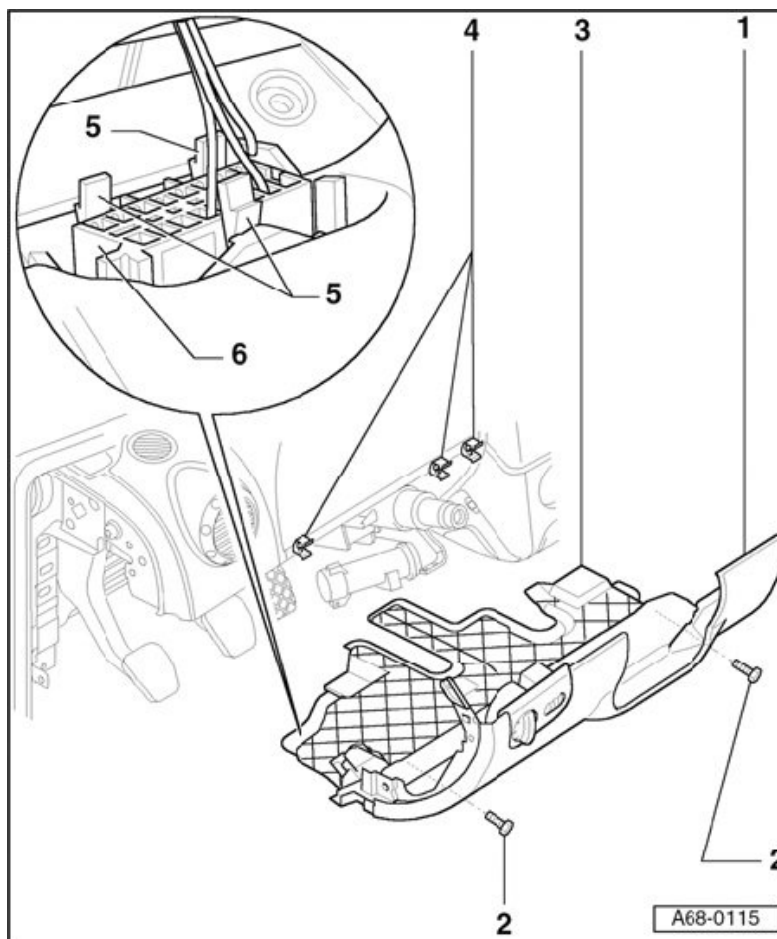


Utility Storage Compartment: Service and Repair Drivers Storage Compartment, Removing

Drivers Storage Compartment, Removing



1 - Drivers storage compartment

- Removing
 - Unclip left instrument panel end trim
 - Unfasten hood cable in passenger compartment
 - Remove screws - 2 - (2x).
 - Remove screws on side
 - Pull drivers storage compartment - 1 - out of clips - 4 - (3x).
 - Pull sides of frame outward.
 - Move drivers storage compartment down.
 - Unplug connector to rotary light switch
 - Unclip diagnostic connector - 5 - by squeezing together tabs - 5 - (3x).
- Installing
 - Guide holder - 3 - into mount at pedals.

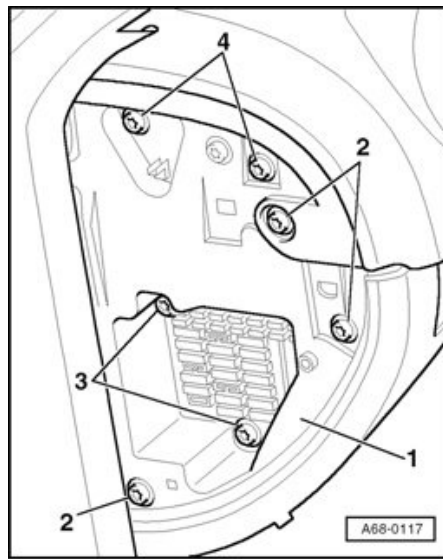
2 - Screws (2x)

3 - Holder

4 - Clips

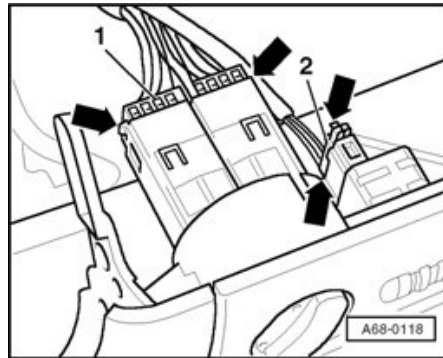
5 - Tabs

6 - Data Link Connector (DLC)



Removing screws on side

- Remove screws - 2 - (3x).



Disconnect connector for rotary light switch

- Disconnect connectors - 1 - and - 2 - by pressing retainer tabs - arrows -.