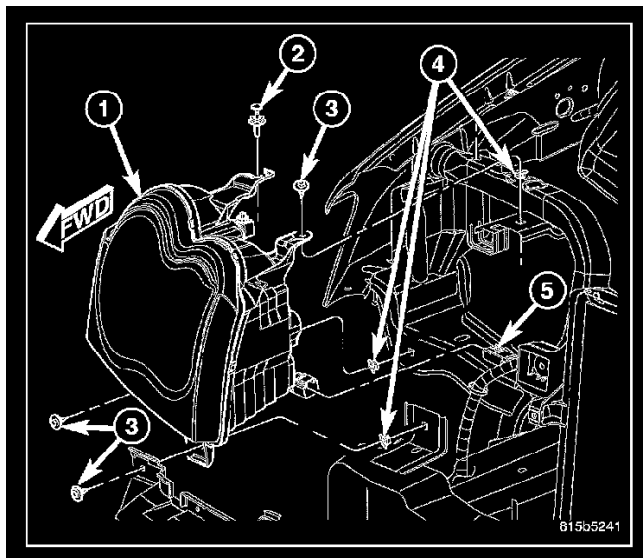


## Headlamp: Service and Repair

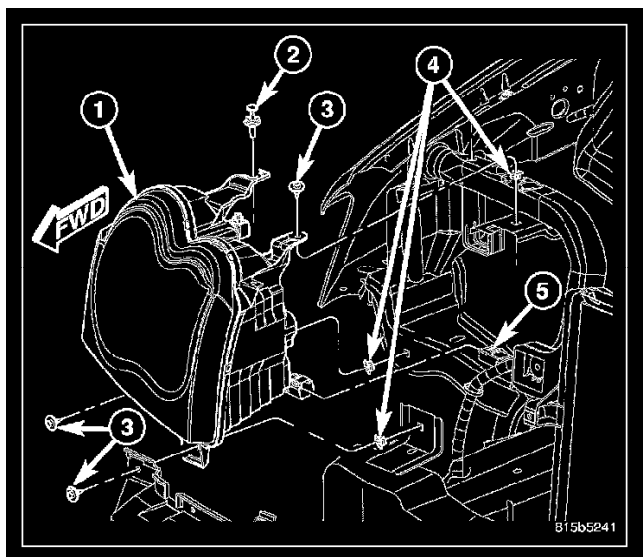
### Lamp

#### REMOVAL



1. Disconnect and isolate the battery negative cable.
2. Remove the cover from over the top of the front lamp unit (1).
3. Remove the grille from the front of the vehicle.
4. If the front lamp being serviced is on the same side of the vehicle as the engine fresh air intake tube, unsnap the air intake tube from the air cleaner housing and remove it from between the lamp and the radiator yoke hydroform.
5. Remove the three screws (3) that secure the two lower and the upper inboard lamp mounting brackets to the front end sheet metal.
6. If equipped, remove the push pin fastener (2) that secures the upper outboard lamp mounting bracket to the top of the radiator yoke hydroform.
7. The lower inboard lamp mounting bracket is captured between a metal mounting bracket on the top of the front frame crossmember and a tab of the plastic front fascia reinforcement. Push the tab of the front fascia reinforcement forward far enough for lamp mounting bracket clearance while maneuvering the lamp unit inboard during removal.
8. Pull the lamp away from the front of the vehicle far enough to access and disconnect the headlamp and dash wire harness connector (5) from the pigtail connector on the back of the lamp housing.
9. Remove the lamp unit from the vehicle.

#### INSTALLATION



1. Check to be certain that the three front lamp unit plastic nuts (4) are properly installed and in good condition.
2. Position the lamp (1) close enough to the front of the vehicle to reconnect the headlamp and dash wire harness connector (5) to the pigtail connector on the back of the lamp housing.
3. Position the lamp to the front of the vehicle. Be certain that the lower inboard lamp mounting bracket is captured between the metal mounting bracket on the top of the front frame crossmember and the tab of the plastic front fascia reinforcement. Push the tab of the front fascia reinforcement forward far enough for lamp mounting bracket clearance while maneuvering the lamp unit outboard during installation.

4. If equipped, install the push pin fastener (2) that secures the upper outboard lamp mounting bracket to the top of the radiator yoke hydroform.
5. Install and tighten the three screws (3) that secure the two lower and the upper inboard lamp mounting brackets to the front end sheet metal. Tighten the screws to **2 N.m (16 in. lbs.)**.
6. If the engine fresh air intake tube was removed during lamp removal, position it between the lamp and the radiator yoke hydroform and snap it into the air cleaner housing.
7. Reinstall the grille onto the front of the vehicle.
8. Reinstall the front lamp unit cover over the top of the lamp.
9. Reconnect the battery negative cable.
10. Confirm proper headlamp alignment.