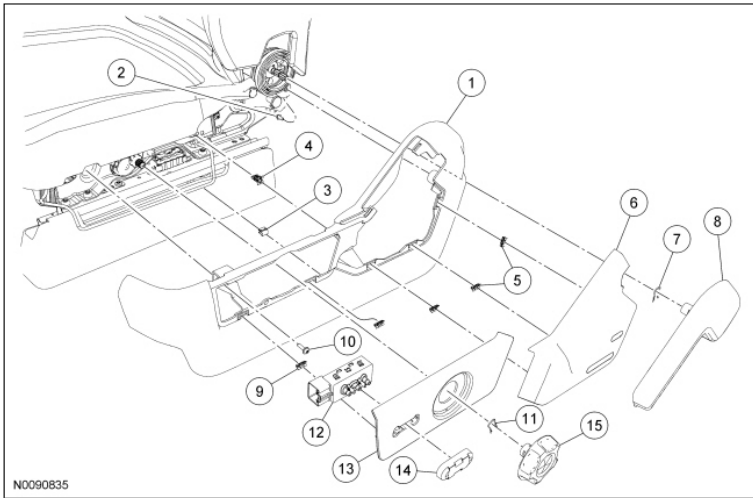


Seat — Exploded View, Front  [Printable View \(718 KB\)](#)

Seat Side Shield — Power Seat Track With Manual Recline and Manual Lumbar, Regular Cab and Crew Cab

NOTE: LH shown, RH similar.

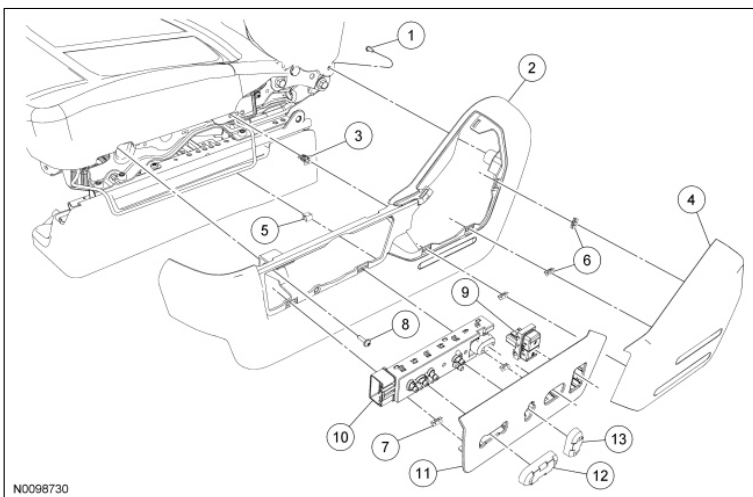


N0090835

Item	Part Number	Description
1	62187	Side shield
2	—	Side shield screw, rear
3	W713010	Side shield retainer, Z-clip
4	W711045	Side shield retainer
5	W712973	Safety belt anchor cover retainers (3 required)
6	61693	Safety belt anchor cover
7	W790123	Recliner handle retainer
8	62622	Recliner handle
9	W712973	Side shield insert retainer (2 required)
10	—	Side shield screw, front
11	W790123	Adjustable lumbar knob retainer
12	14A701	Seat control switch
13	14A706	Side shield insert
14	14711	Seat control switch knob
15	61199	Adjustable lumbar knob

Seat Side Shield — Power Seat Track With Memory, Power Recline and Power Lumbar, Regular Cab and Crew Cab

NOTE: LH shown, RH similar.

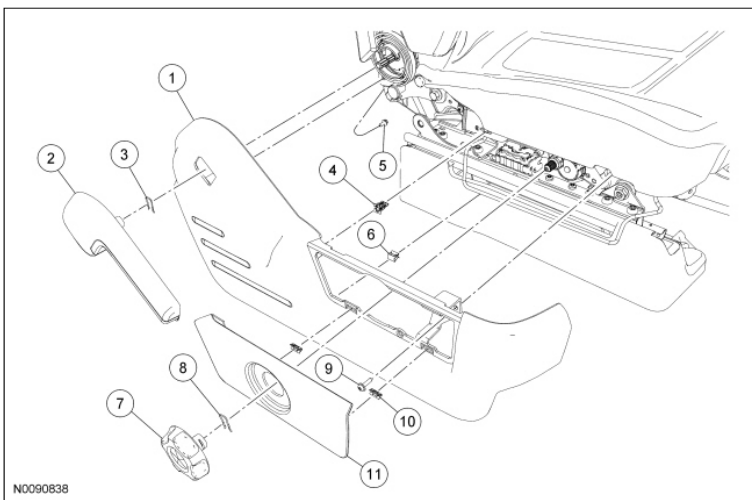


N0098730

Item	Part Number	Description
1	—	Side shield screw, rear
2	62187	Side shield
3	W711045	Side shield retainer
4	61693	Safety belt anchor cover
5	W713010	Side shield retainer, Z-clip
6	W712973	Safety belt anchor cover retainers (3 required)
7	W712973	Side shield insert retainer (2 required)
8	—	Side shield screw, front
9	14776	Memory SET switch
10	14A701	Seat control switch
11	14A706	Side shield insert
12	14711	Seat control switch knob
13	—	Recliner switch knob

Seat Side Shield — Manual Seat Track With Manual Lumbar, SuperCab

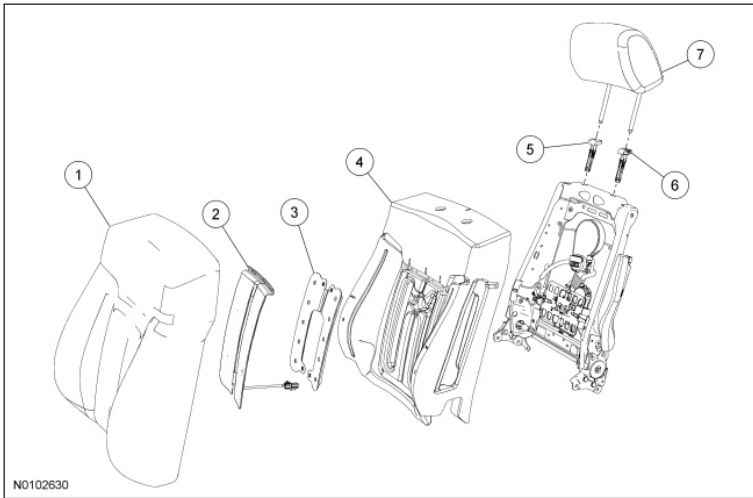
NOTE: RH shown, LH similar.



Item	Part Number	Description
1	62186	Side shield
2	62622	Recliner handle
3	—	Recliner handle retainer
4	W711045	Side shield retainer
5	—	Side shield screw, rear
6	W713010	Side shield retainer, Z-clip
7	61199	Adjustable lumbar knob
8	—	Adjustable lumbar knob retainer
9	—	Side shield screw, front
10	W712973	Side shield insert retainer (2 required)
11	14A076	Side shield insert

Seat Backrest — Trim Parts

NOTE: LH shown, RH similar.

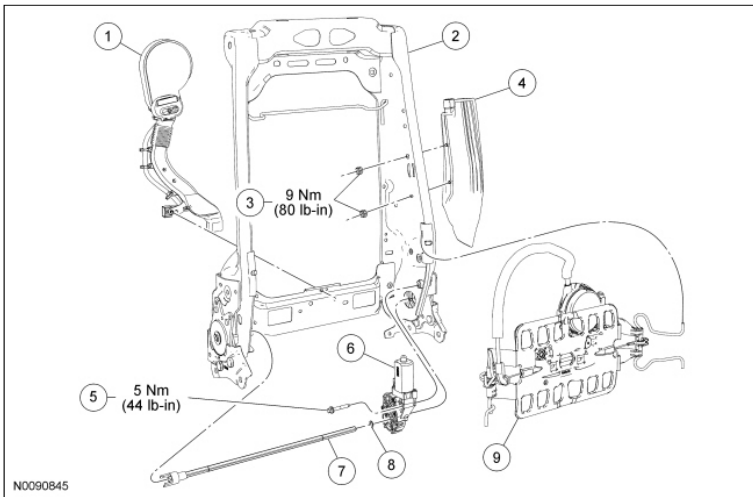


N0102630

Item	Part Number	Description
1	64417	Backrest cover
2	14D696	Backrest heater mat
3	18D507	Climate controlled seat backrest manifold (if equipped)
4	64811	Backrest foam pad
5	610A18	Head restraint guide sleeve, slave
6	610A16	Head restraint guide sleeve, master
7	611A08	Head restraint

Seat Backrest — Frame Parts, Power Seat With Power Lumbar and Climate Controlled Seat System

NOTE: LH shown, RH similar.

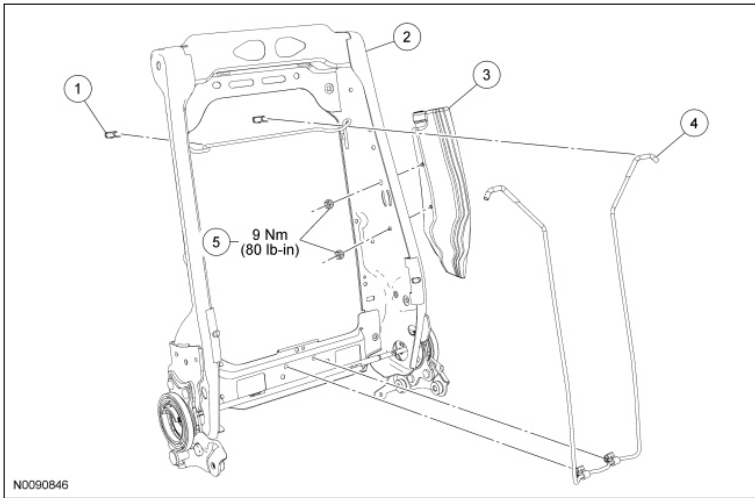


N0090845

Item	Part Number	Description
1	19N550	Backrest Thermo-Electric Device (TED)
2	61018	Backrest frame
3	W520111	Side air bag nuts
4	611D10	Side air bag module
5	W701242	Recliner motor bolt
6	14547	Recliner motor
7	613A68	Torque shaft
8	61479	Torque shaft retainer
9	65500	Power lumbar assembly

Seat Backrest — Frame Parts, Manual Seat Without Adjustable Lumbar

NOTE: LH shown, RH similar.

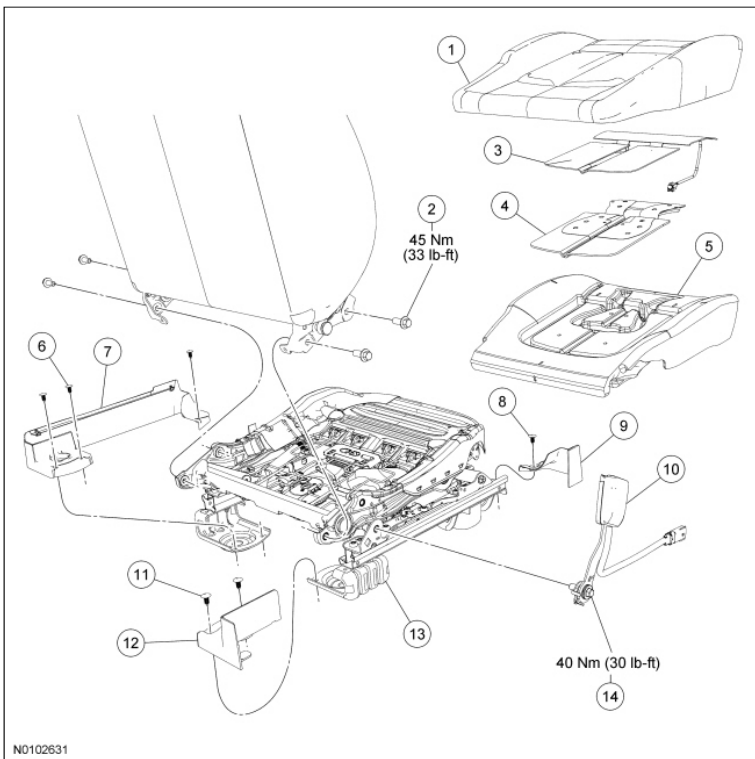


N0090846

Item	Part Number	Description
1	W790133	Backrest support upper retainer (2 required)
2	61018	Backrest frame
3	611D10	Side air bag module
4	64842	Backrest support
5	W520111	Side air bag nuts

Seat Cushion

NOTE: LH shown, RH similar.



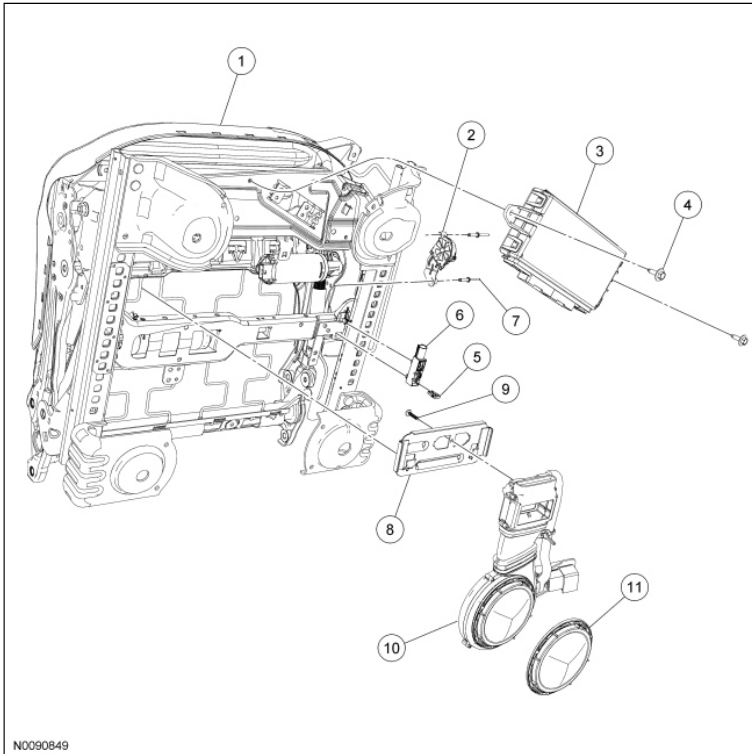
N0102631

Item	Part Number	Description
1	62900	Cushion cover
2	W500433	Backrest bolt (4 required)
3	14D696	Cushion heater mat
4	18D507	Climate controlled seat cushion manifold (if equipped)
5	622A23	Cushion foam pad
6	W705589	Outboard seat track cover retainer (3 required)
7	62187	Outboard seat track cover

8	W705589	Front inboard seat track cover retainer
9	62186	Front inboard seat track cover
10	61203	Safety belt buckle
11	W705589	Rear inboard seat track cover retainer (2 required)
12	62186	Rear inboard seat track cover
13	61711	Seat track
14	—	Safety belt buckle bolt (part of 61203)

Seat Track — Driver

NOTE: Power seat shown, manual similar.

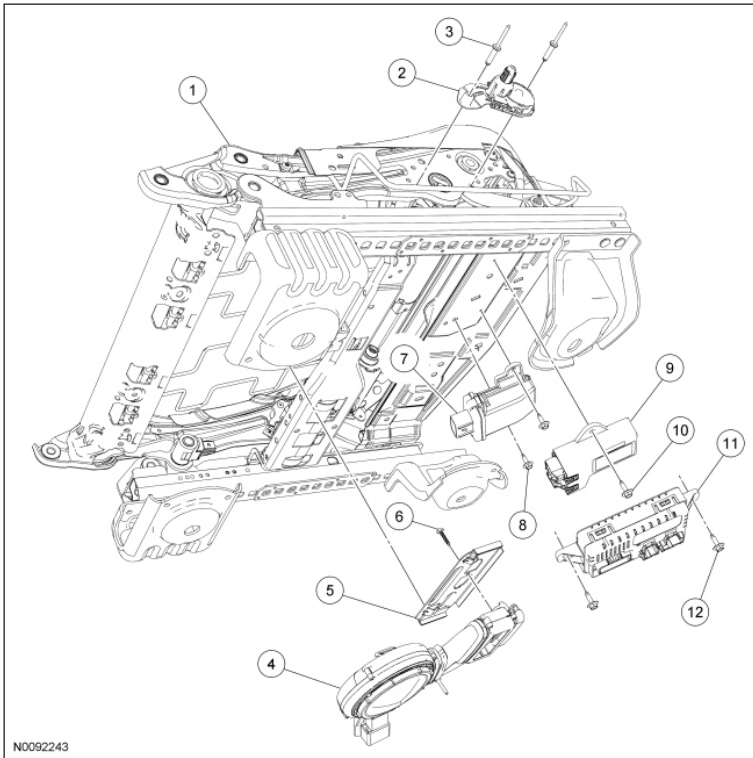


N0090849

Item	Part Number	Description
1	61711	Seat track
2	—	Lumbar adjuster (if equipped) (part of 65500)
3	14C708	Driver Seat Module (DSM) (if equipped)
4	S505153	DSM screw (2 required) (if equipped)
5	—	Seat track position sensor lock tab
6	14B416	Seat track position sensor
7	—	Lumbar adjuster rivet (2 required) (if equipped)
8	—	Cushion Thermo-Electric Device (TED) mounting bracket (if equipped)
9	—	TED mounting bracket screw (if equipped)
10	19N550	Cushion TED (if equipped)
11	—	Cushion TED filter (if equipped)

Seat Track — Passenger

NOTE: Power seat shown, manual similar.



N0092243

Item	Part Number	Description
1	61710	Seat track
2	—	Lumbar adjuster (if equipped) (part of 65500)
3	—	Lumbar adjuster rivet (2 required) (if equipped)
4	19N550	Cushion Thermo-Electric Device (TED) (if equipped)
5	—	Cushion TED mounting bracket (if equipped)
6	—	TED mounting bracket screw (if equipped)
7	14B422	Occupant Classification System Module (OCSM)
8	—	OCSM screw (2 required)
9	14C724	Heated seat module (if equipped)
10	—	Heated seat module screw (if equipped)
11	14B633	Dual Climate Controlled Seat Module (DCSM) (if equipped)
12	—	DCSM screw (2 required) (if equipped)

1. For additional information, refer to the procedures in this section.