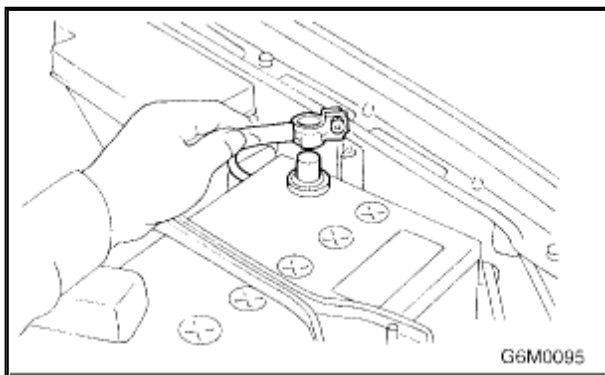


Oil Pan and Strainer

REMOVAL

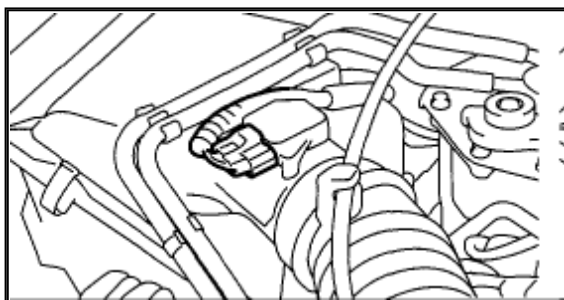
- 1) Set the vehicle on a lift.
- 2) Remove the front wheels.



Zoom

Sized for Print

- 3) Disconnect the ground cable from battery.
- 4) Remove the air intake duct and air cleaner case. (Non-turbo model)

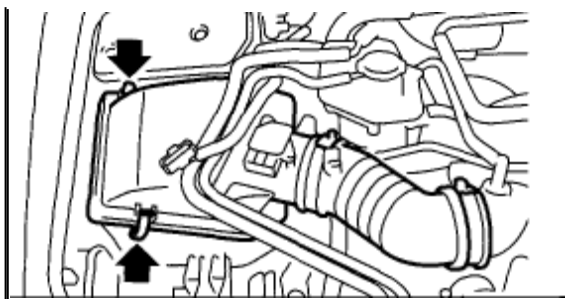


Zoom

Sized for Print

- 5) Disconnect the connector from mass air flow sensor. (Turbo model)



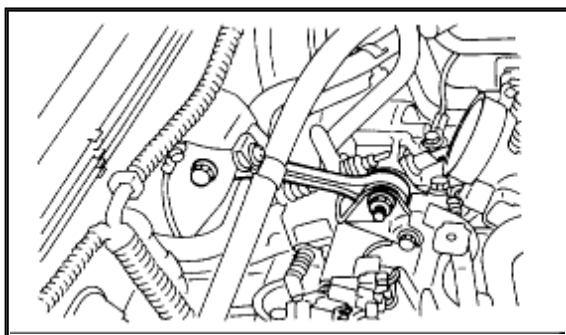


Zoom

Sized for Print

6) Remove the air intake boot and air cleaner upper cover. (Turbo model)

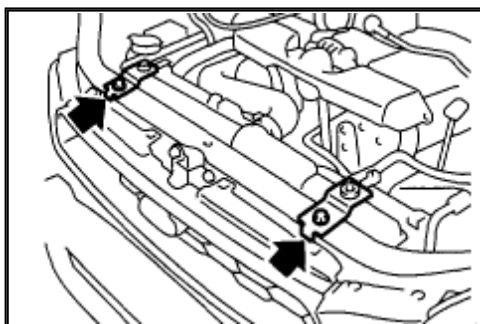
7) Remove the intercooler. (Turbo model)



Zoom

Sized for Print

8) Remove the pitching stopper.

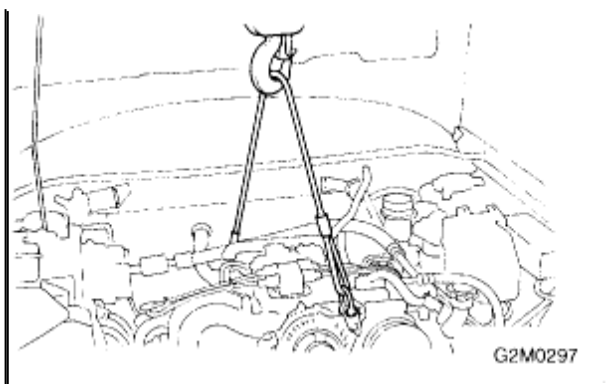


Zoom

Sized for Print

9) Remove the [radiator](#) upper brackets.





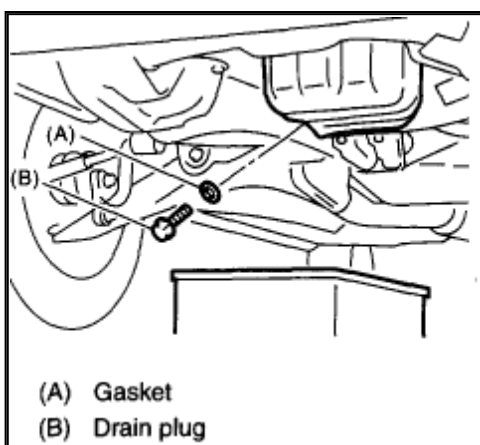
Zoom

Sized for Print

- 10) Support the engine with a lifting device and wire ropes.
- 11) Lift up the vehicle.

CAUTION: When lifting up the vehicle, raise the wire ropes together.

- 12) Remove the under cover.

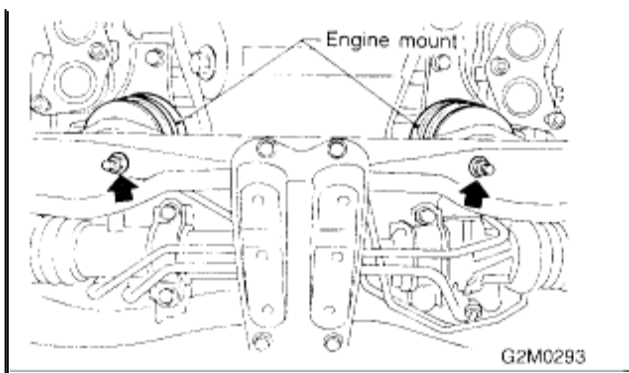


Zoom

Sized for Print

- 13) Drain the engine oil. Set a container under the vehicle, and remove the drain plug from oil pan.

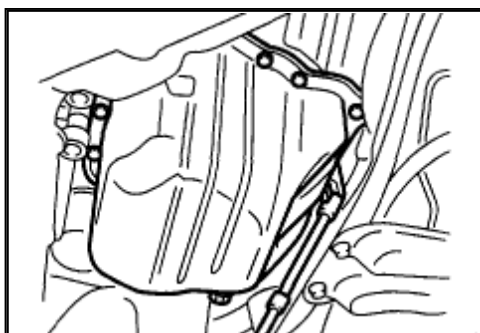




Zoom

Sized for Print

- 14) Remove the front and center [exhaust pipes](#). (Non-turbo model)
- 15) Remove the nuts which install front cushion rubber onto front crossmember.
- 16) Remove the bolts which install oil pan on cylinder block while raising up engine.



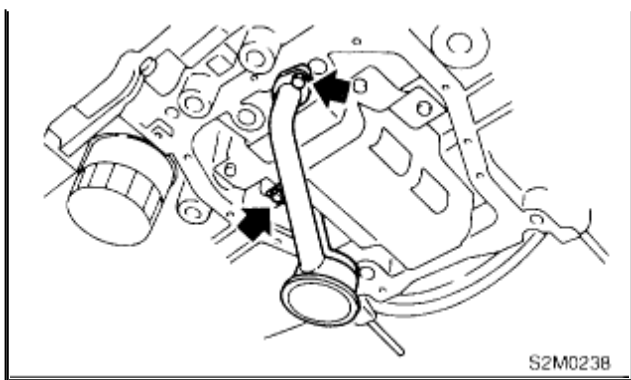
Zoom

Sized for Print

- 17) Insert the oil pan cutter blade between the cylinder block and oil pan.

NOTE: Do not use a screwdriver or similar tool in place of oil pan cutter.

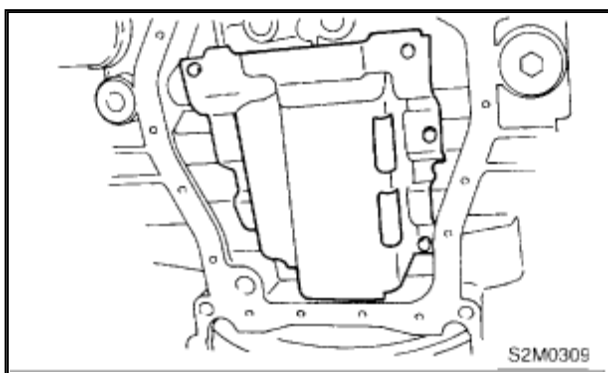




Zoom

Sized for Print

18) Remove the oil strainer.



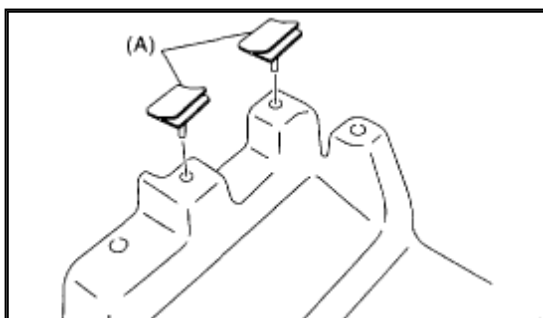
Zoom

Sized for Print

19) Remove the baffle plate.

INSTALLATION

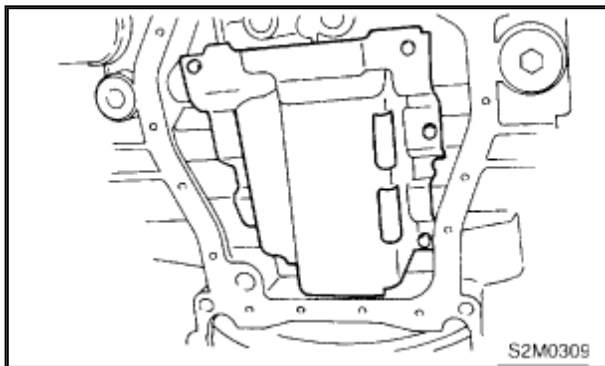
CAUTION: Before installing the oil pan, clean sealant from oil pan and engine block.



Zoom

Sized for Print

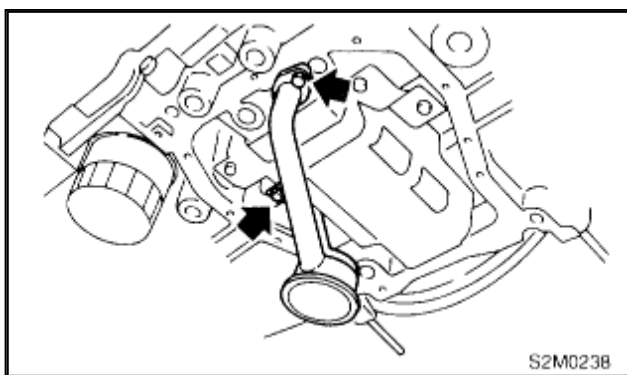
- 1) Check the seal (A) is securely installed in baffle plate in the direction as shown in the figure.



Zoom

Sized for Print

- 2) Install the baffle plate.
Tightening torque: **6.4 Nm (0.65 kgf-m, 4.7 ft. lbs.)**

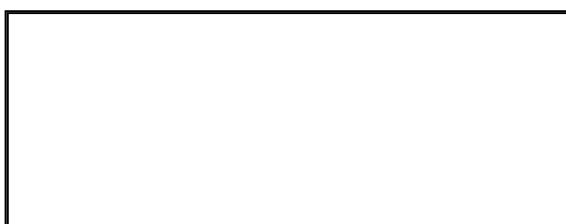


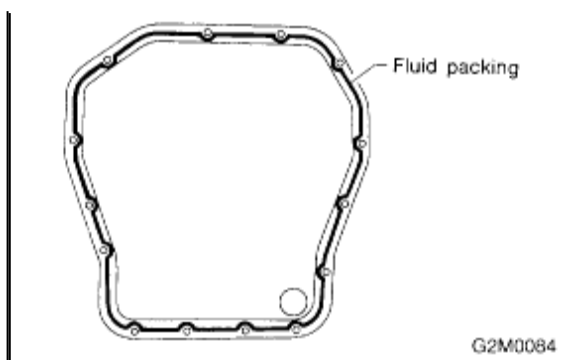
Zoom

Sized for Print

- 3) Install the oil strainer onto baffle plate.

NOTE: Replace the O-ring with a new one.



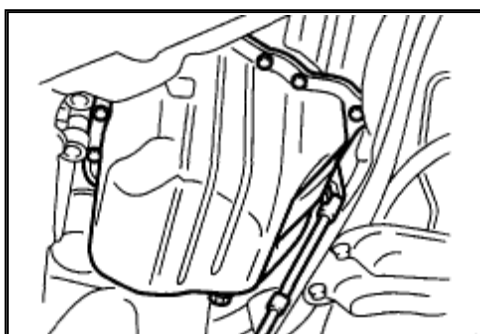


Zoom

Sized for Print

Tightening torque: **10 Nm (1.0 kgf-m, 7.2 ft. lbs.)**

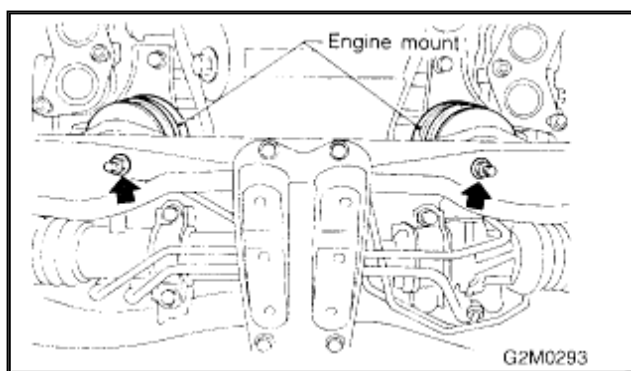
- 4) Apply liquid gasket to the mating surfaces and install oil pan.
Liquid gasket: Part No. 004403007 Three Bond 1215 or equivalent



Zoom

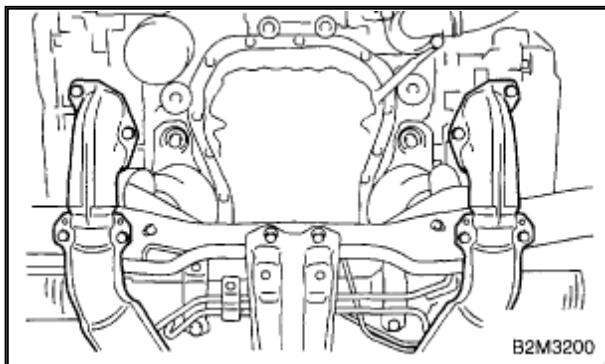
Sized for Print

- 5) Tighten the bolts which install the oil pan onto engine block.
Tightening torque: **5 Nm (0.5 kgf-m, 3.6 ft. lbs.)**
- 6) Lower the engine onto front crossmember.



[Zoom](#)[Sized for Print](#)

- 7) Tighten the nuts which install front cushion rubber onto front crossmember.
Tightening torque: **69 Nm (7.0 kgf-m, 50.9 ft. lbs.)**

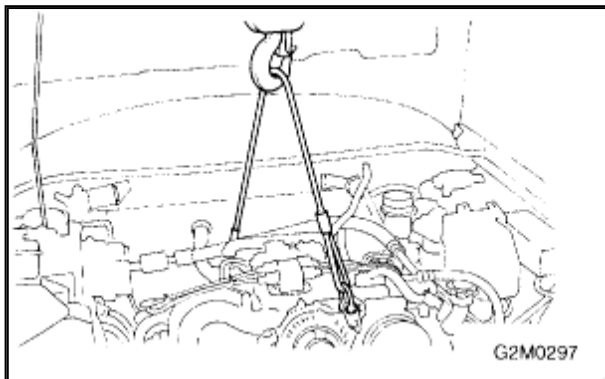
[Zoom](#)[Sized for Print](#)

- 8) Install the front and center [exhaust pipe](#). (Nonturbo model)

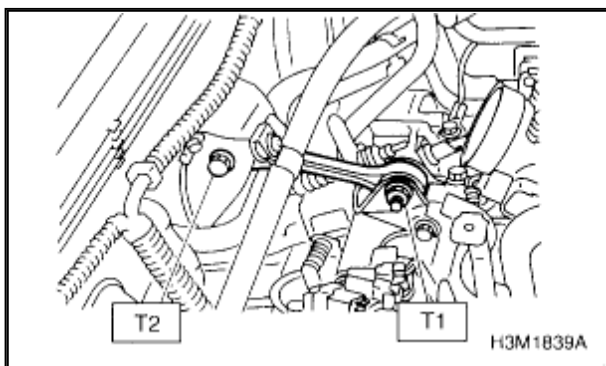
NOTE: Use a new gasket.

- 9) Install the under cover.
10) Lower the vehicle.

CAUTION: When lowering the vehicle, lower the lifting device and wire ropes together.

[Zoom](#)[Sized for Print](#)

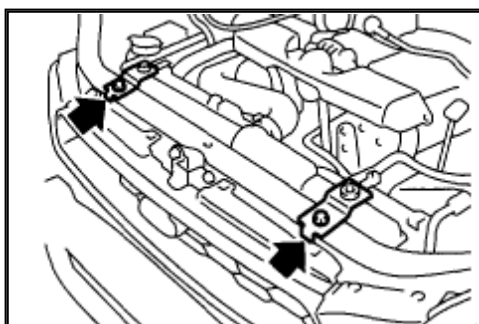
- 11) Remove the lifting device and wire ropes.



Zoom

Sized for Print

- 12) Install the pitching stopper.
Tightening torque:
T1: **50 Nm (5.1 kgf-m, 36.9 ft. lbs.)**
T2: **58 Nm (5.9 kgf-m, 42.8 ft. lbs.)**

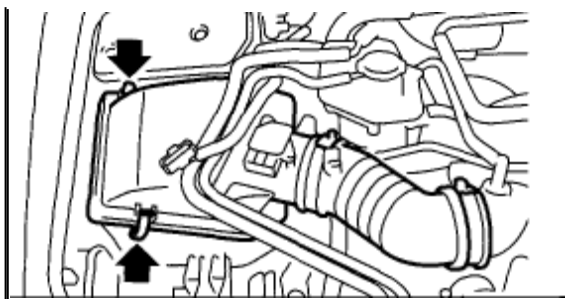


Zoom

Sized for Print

- 13) Install the [radiator](#) upper brackets.
- 14) Install the air intake duct and air cleaner case. (Non-turbo model)
- 15) Install the intercooler. (Turbo model)

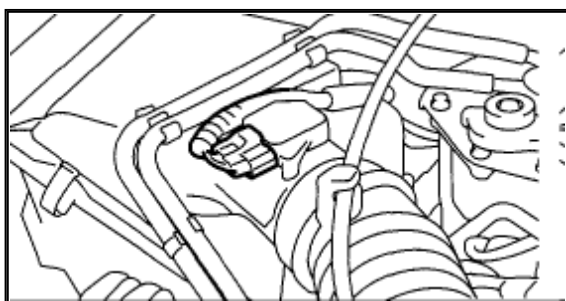




Zoom

Sized for Print

16) Install the air intake boot and air cleaner upper cover. (Turbo model)

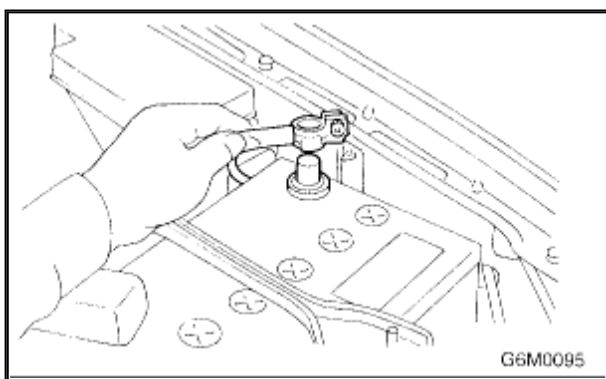


Zoom

Sized for Print

17) Connect the mass air flow sensor connector. (Turbo model)

18) Install the front wheels.



Zoom

Sized for Print

19) Connect the battery ground cable to battery.

20) Fill engine oil.

INSPECTION

By visual check make sure the oil pan, oil strainer, oil strainer stay and baffle plate are not damaged.