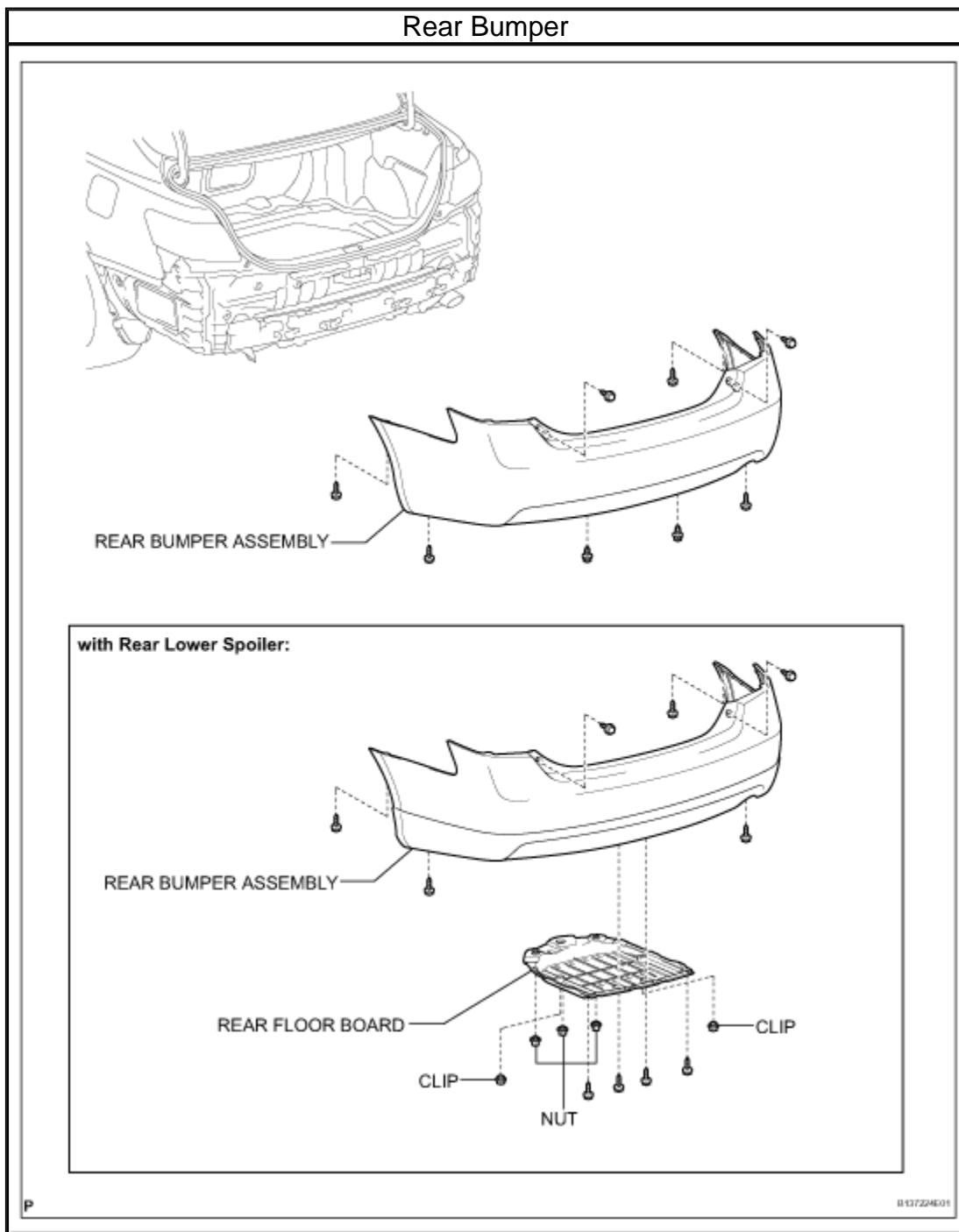


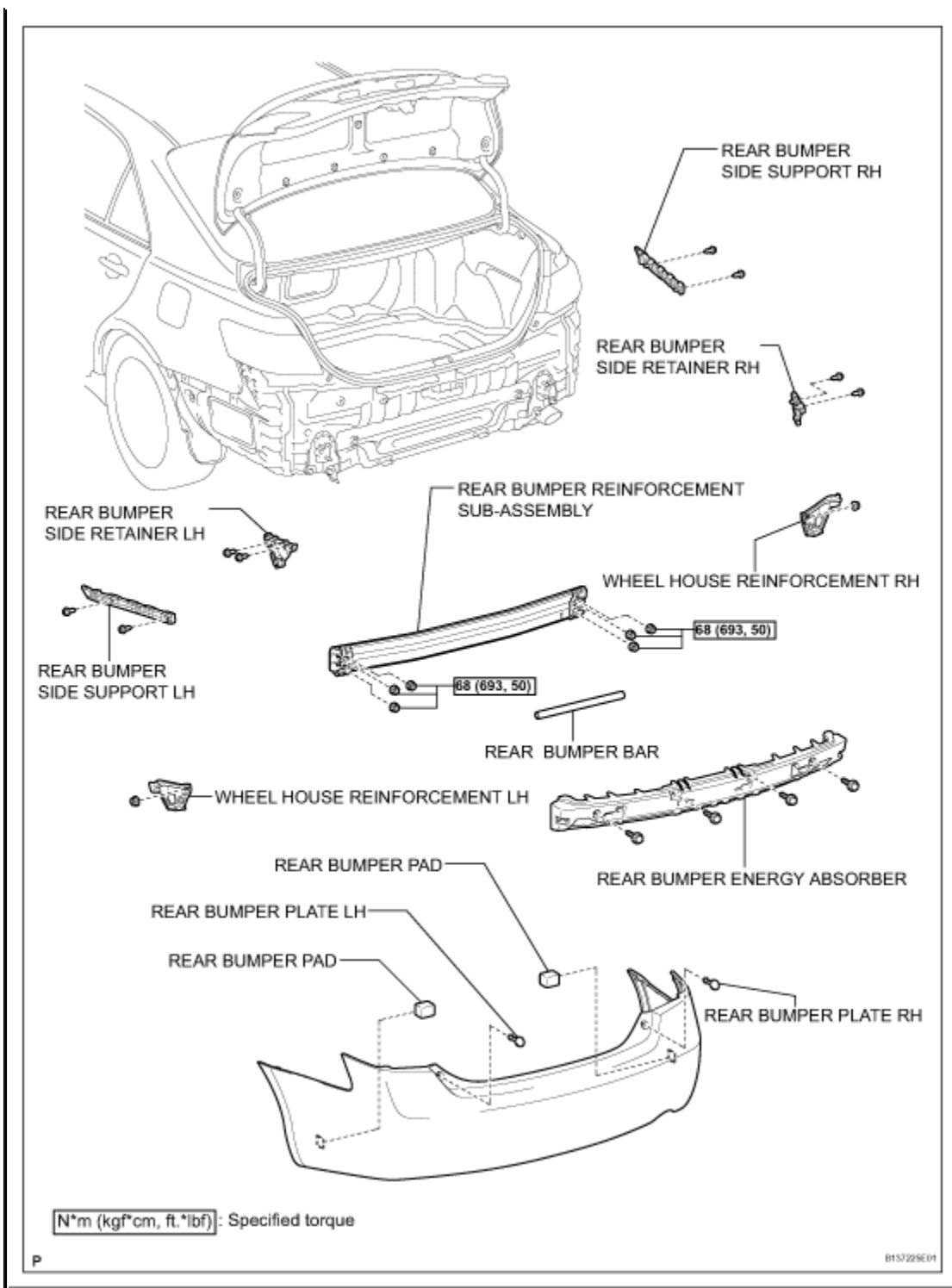
## REAR BUMPER



Zoom

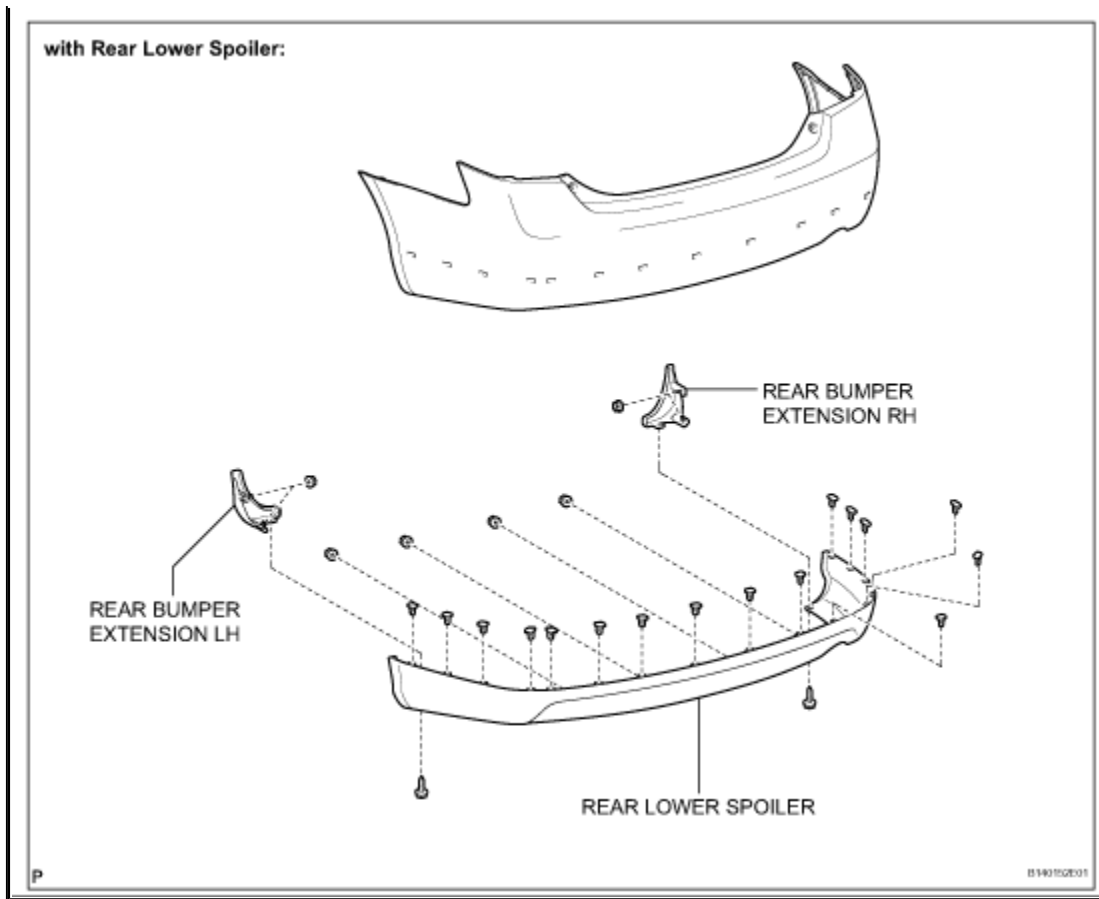
Sized for Print

## Rear Bumper



Zoom

Sized for Print

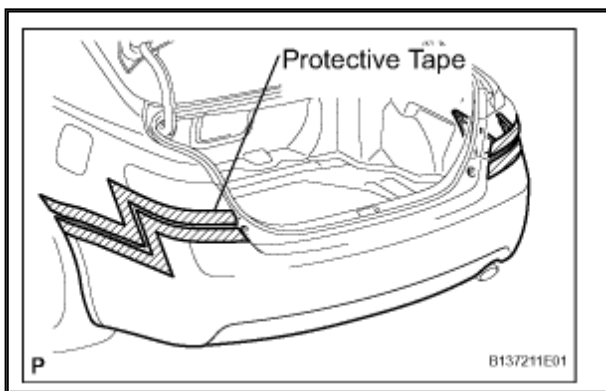


Zoom

Sized for Print

## REMOVAL

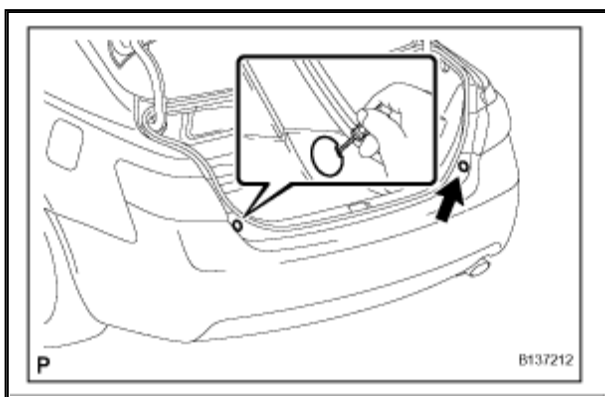
1. REMOVE REAR BUMPER ASSEMBLY (w/o Rear Lower Spoiler)



Zoom

Sized for Print

- a. Put protective tape around the rear bumper assembly.
- b. Using a screwdriver, open the 2 rear bumper plates.

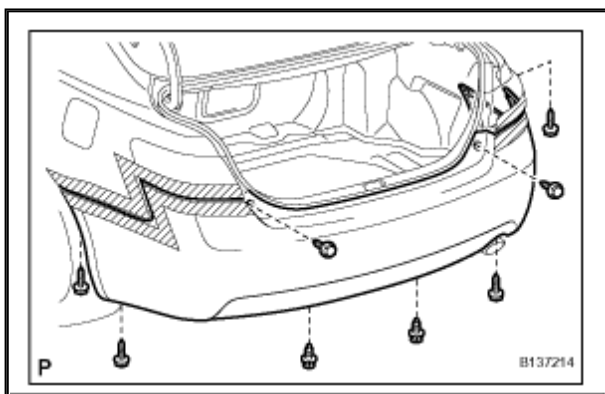


Zoom

Sized for Print

**HINT:** Tape the screwdriver tip before use.

- c. Remove the 6 screws and 2 clips.

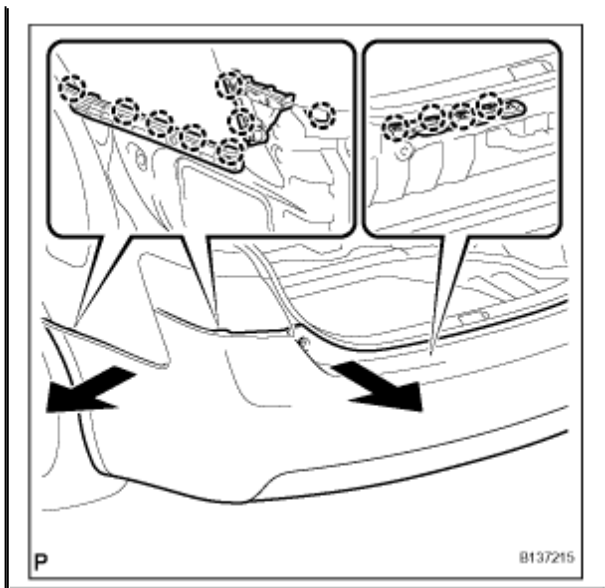


Zoom

Sized for Print

- d. Disengage the 12 claws and disconnect the rear [bumper](#) assembly as shown in the illustration.





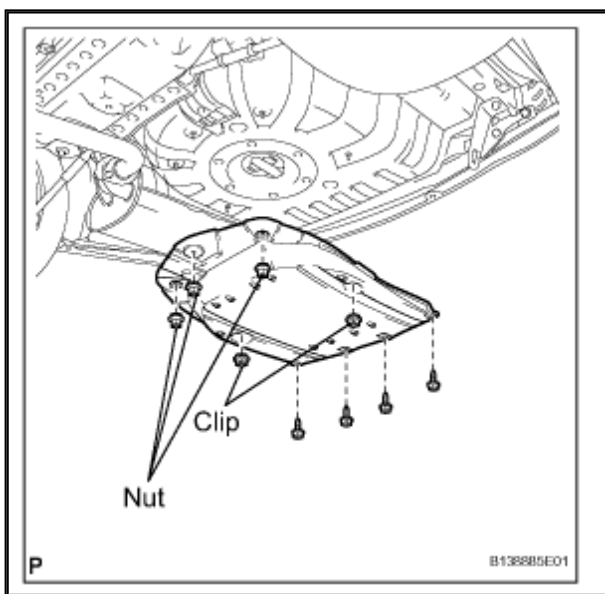
Zoom

Sized for Print

**HINT:** Use the same procedures for the RH side and LH side.

e. Remove the rear [bumper](#) assembly.

2. REMOVE REAR FLOOR BOARD (w/ Rear Lower [Spoiler](#))

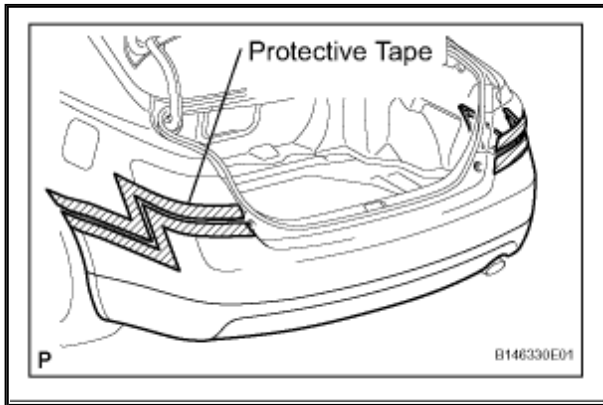


Zoom

Sized for Print

a. Remove the 4 screws, 2 clips, 3 nuts and rear floor board.

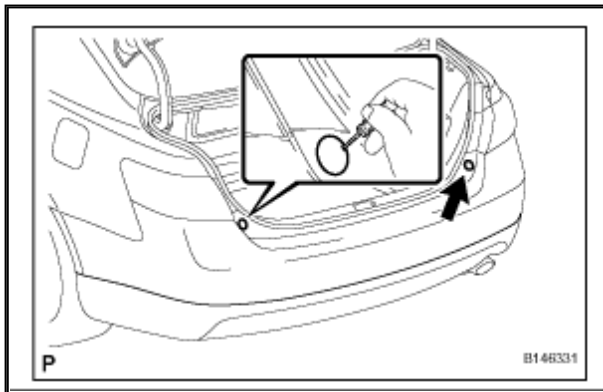
3. REMOVE REAR [BUMPER](#) ASSEMBLY (w/Rear Lower [Spoiler](#))



Zoom

Sized for Print

- a. Put protective tape around the rear bumper assembly.
- b. Using a screwdriver, open the 2 rear bumper plates.

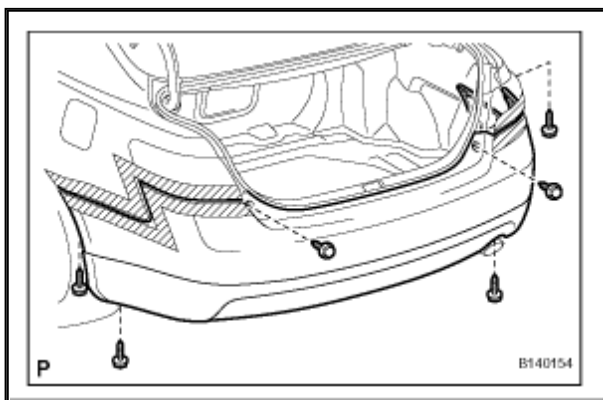


Zoom

Sized for Print

**HINT:** Tape the screwdriver tip before use.

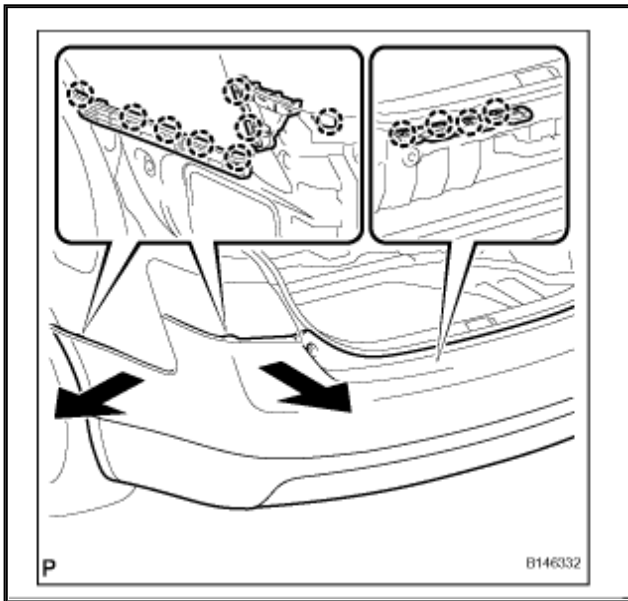
- c. Remove the 6 screws.



Zoom

Sized for Print

- d. Disengage the 12 claws and disconnect the rear bumper assembly as shown in the illustration.



Zoom

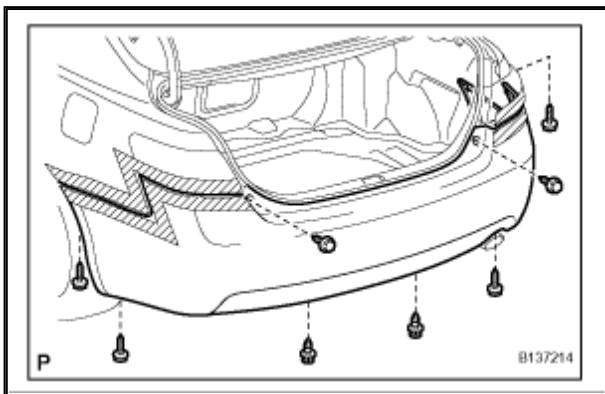
Sized for Print

**HINT:** Use the same procedures for the RH side and LH side.

- e. Remove the rear bumper assembly.

**INSTALLATION**

1. INSTALL REAR BUMPER ASSEMBLY (w/o Rear Lower Spoiler)

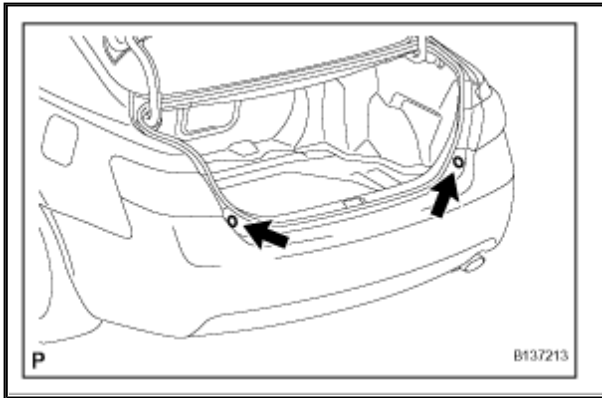


Zoom

Sized for Print

- a. Engage each claw.

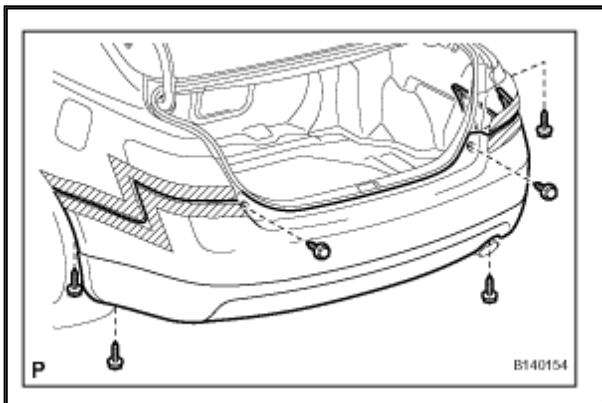
- b. Install the rear bumper assembly with the 6 screws and 2 clips.
- c. Install the 2 rear bumper plates.



Zoom

Sized for Print

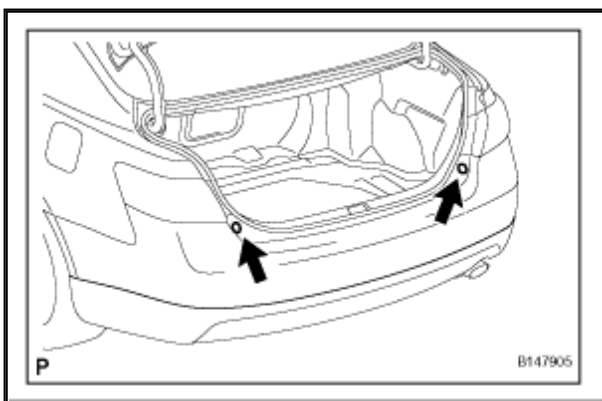
2. INSTALL REAR BUMPER ASSEMBLY (w/ Rear Lower Spoiler)



Zoom

Sized for Print

- a. Engage each claw.
- b. Install the rear bumper assembly with the 6 screws.
- c. Install the 2 rear bumper plates.

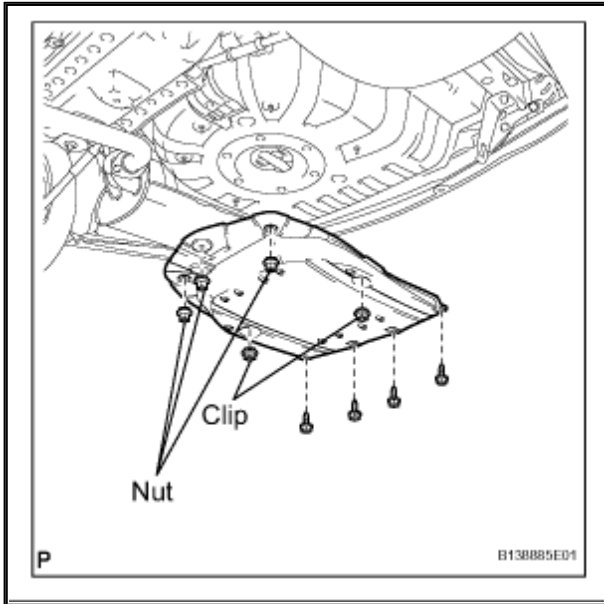




Zoom

Sized for Print

3. INSTALL REAR FLOOR BOARD (w/ Rear Lower [Spoiler](#))



Zoom

Sized for Print

- a. Install the rear floor board with the 3 nuts, 2 clips and 4 screws.