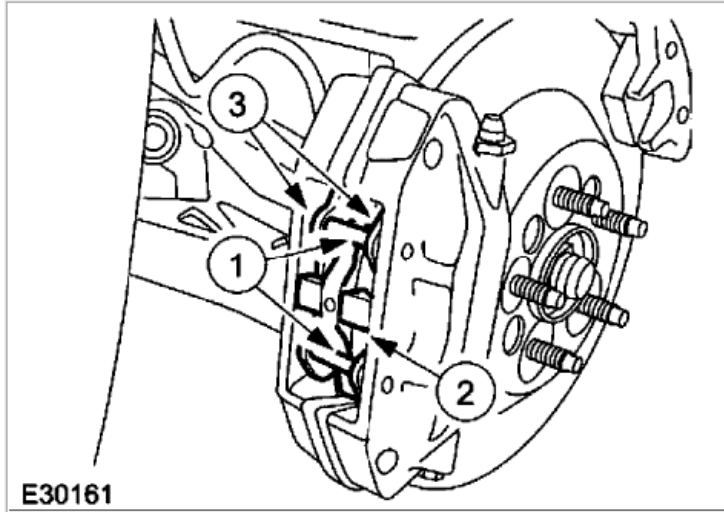


Brake Pads Vehicles With: Brembo Brakes

Removal

1. Remove both rear wheels and tires.



2. Remove the brake pads.

1. Remove the brake pad retaining pins.
2. Remove the brake pad anti-rattle spring plate.
3. Remove the brake pads.

Installation

1. **WARNING: DO NOT USE A COMPRESSED AIR TO DISPERSE BRAKE DUST INTO THE ATMOSPHERE.**
 - **CAUTION:** If the pistons are pushed back into the housing, brake fluid will be forced back into the brake fluid reservoir.
 - **CAUTION:** Make sure the brake disc faces are clean before installation.
 - **CAUTION:** Brake pads must always be replaced in axle sets.
 - **CAUTION:** Make sure the brake pads are installed with the direction arrow facing downwards.

To install, reverse the removal procedure.

- Using a suitable tool, fully retract the brake caliper pistons.