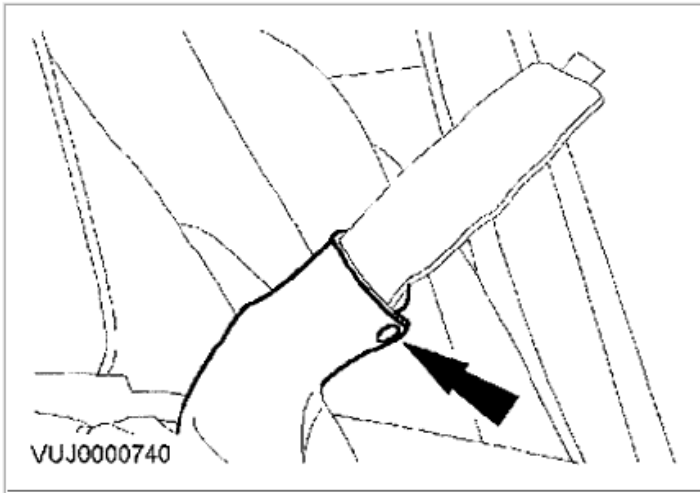
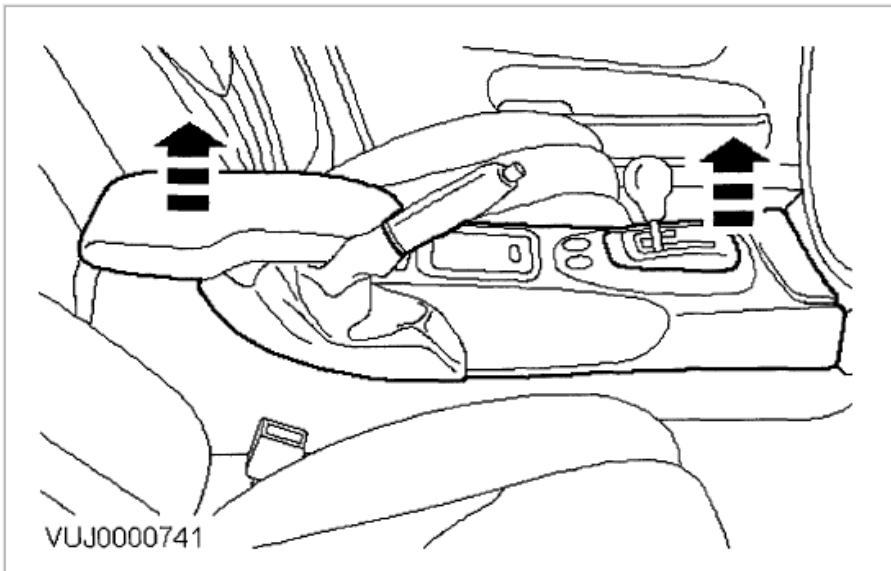


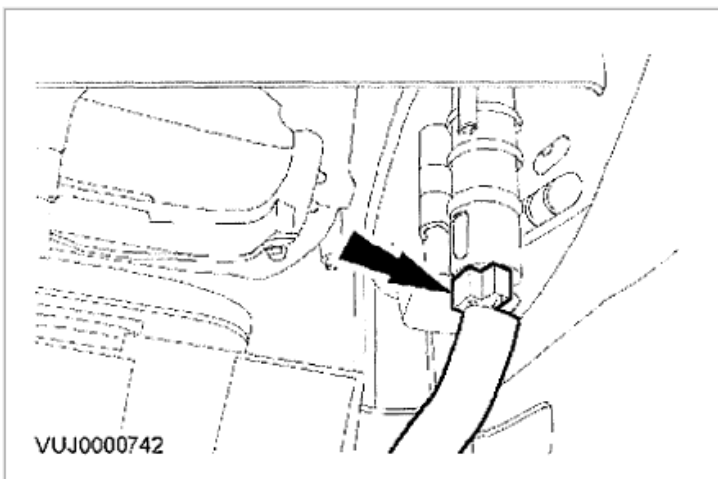
Removal



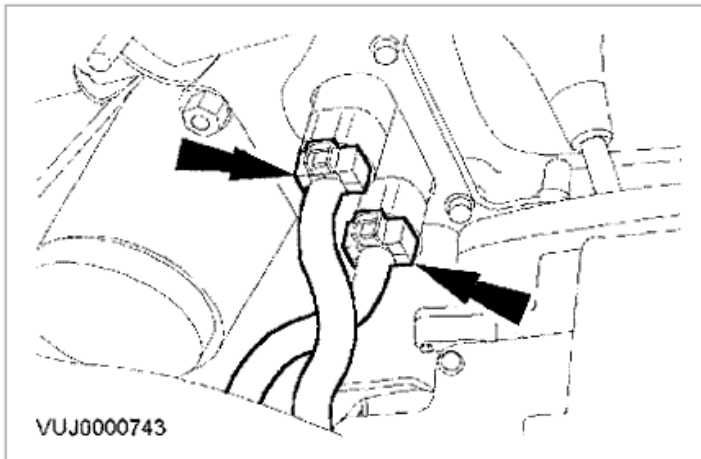
1. Unclip the parking brake boot.



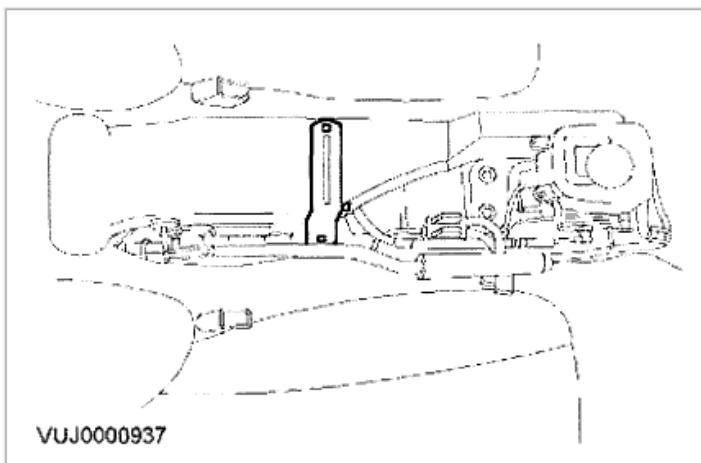
2. Detach the center console upper section.



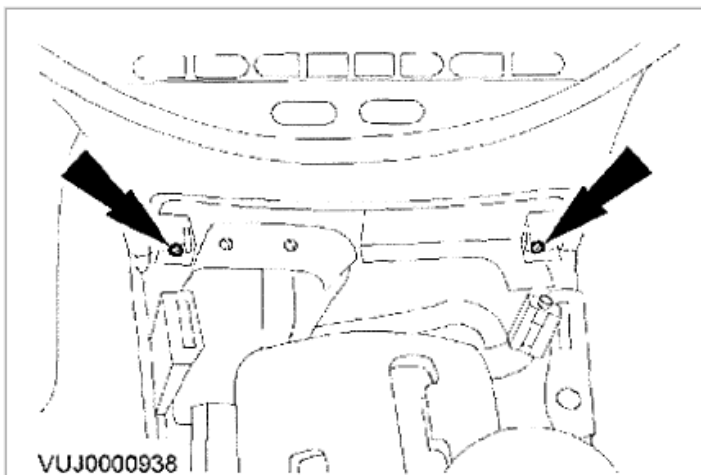
3. Disconnect the cigar lighter electrical connector.



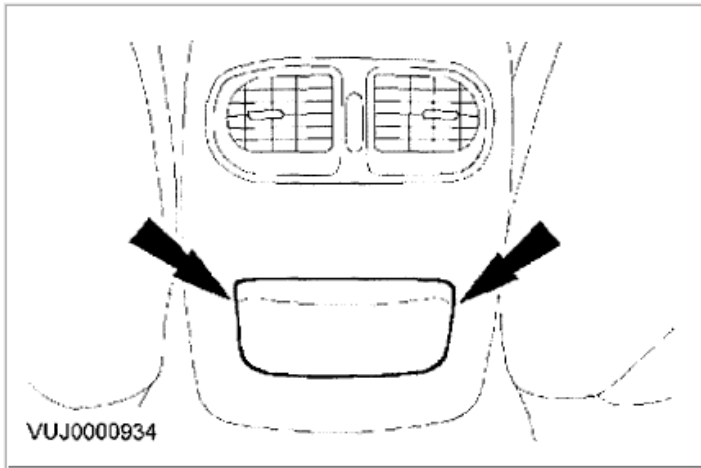
4. Remove the center console upper section. Disconnect the transmission mode, traction control and cellular phone electrical connectors if fitted.



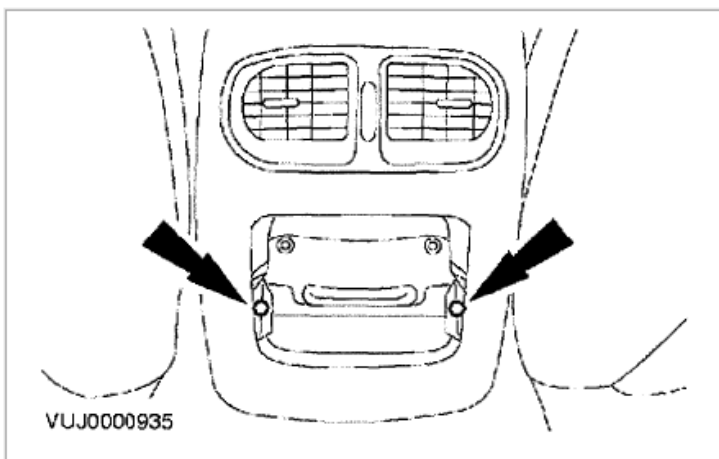
5. Detach the center console.



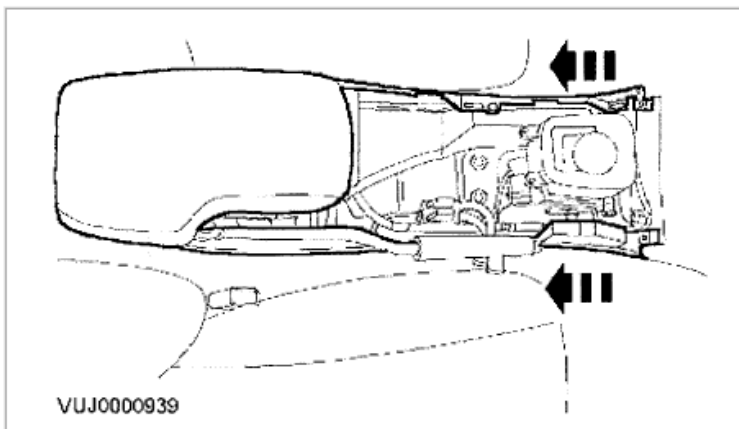
6. Remove the lower center console front screws.



7. Remove the center console rear compartment.



8. Detach the lower center console.



9. Remove the lower center console.

Installation

1. To install, reverse the removal procedure.

NOTE: Remove the spring clips from the rear bracket and install on the lower console.