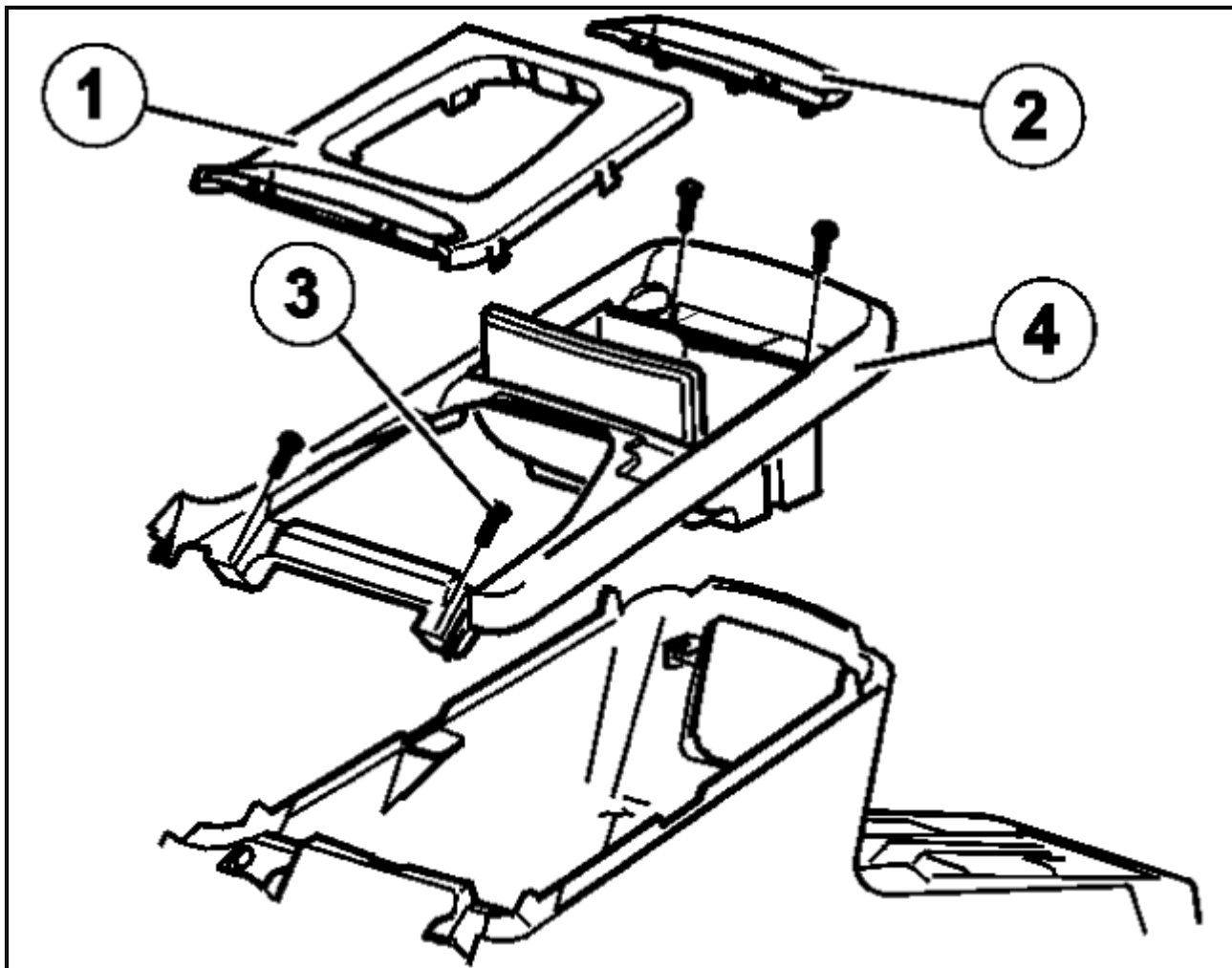


## Removal

### Removing the center console



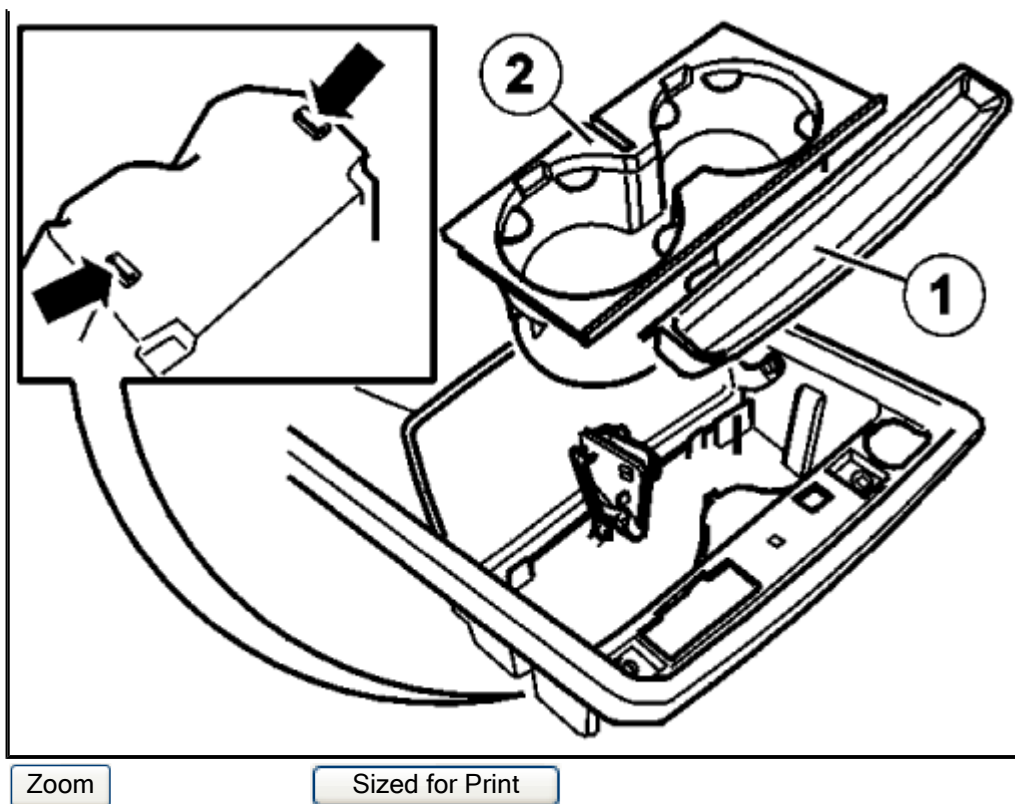
Zoom

Sized for Print

Remove the upper section of the center console.

### Removing pen holder and mug holder





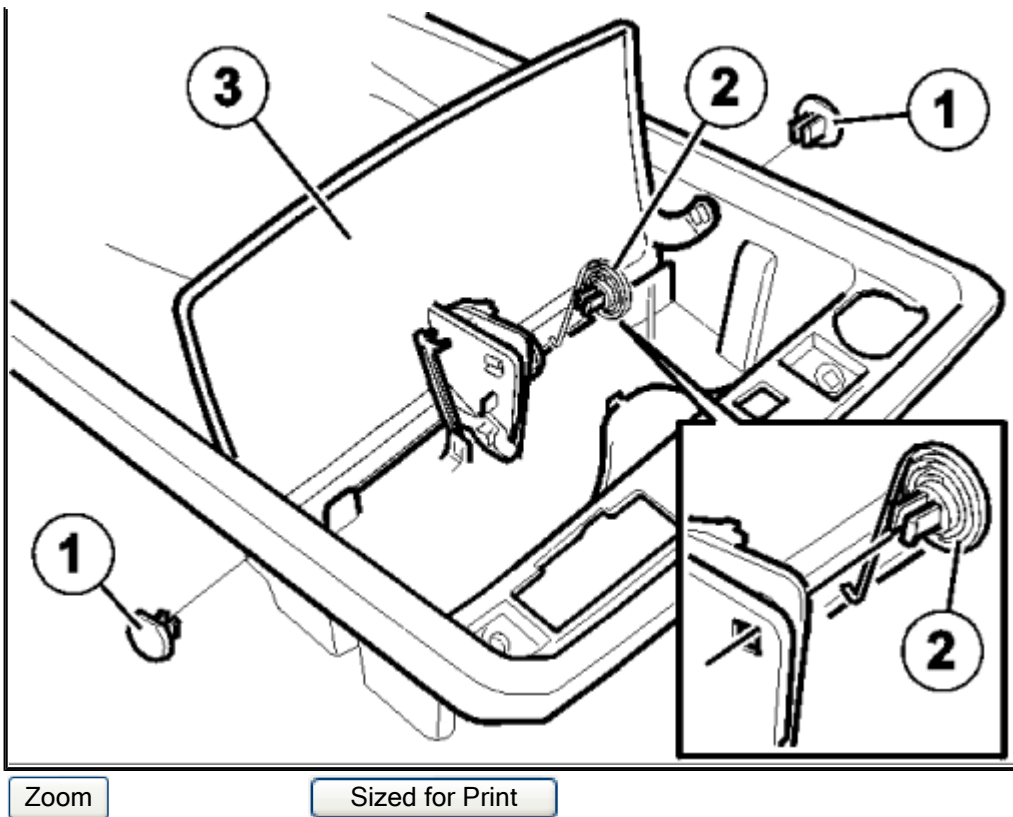
Remove the pen holder (1).

If the pen holder is bonded, replace using a new pen holder and clip mounting.

Remove the mug holder insert (2) by releasing the hooks on the underside of the center console.

### Removing the cover





Move the arm of the mechanism as far back as possible.

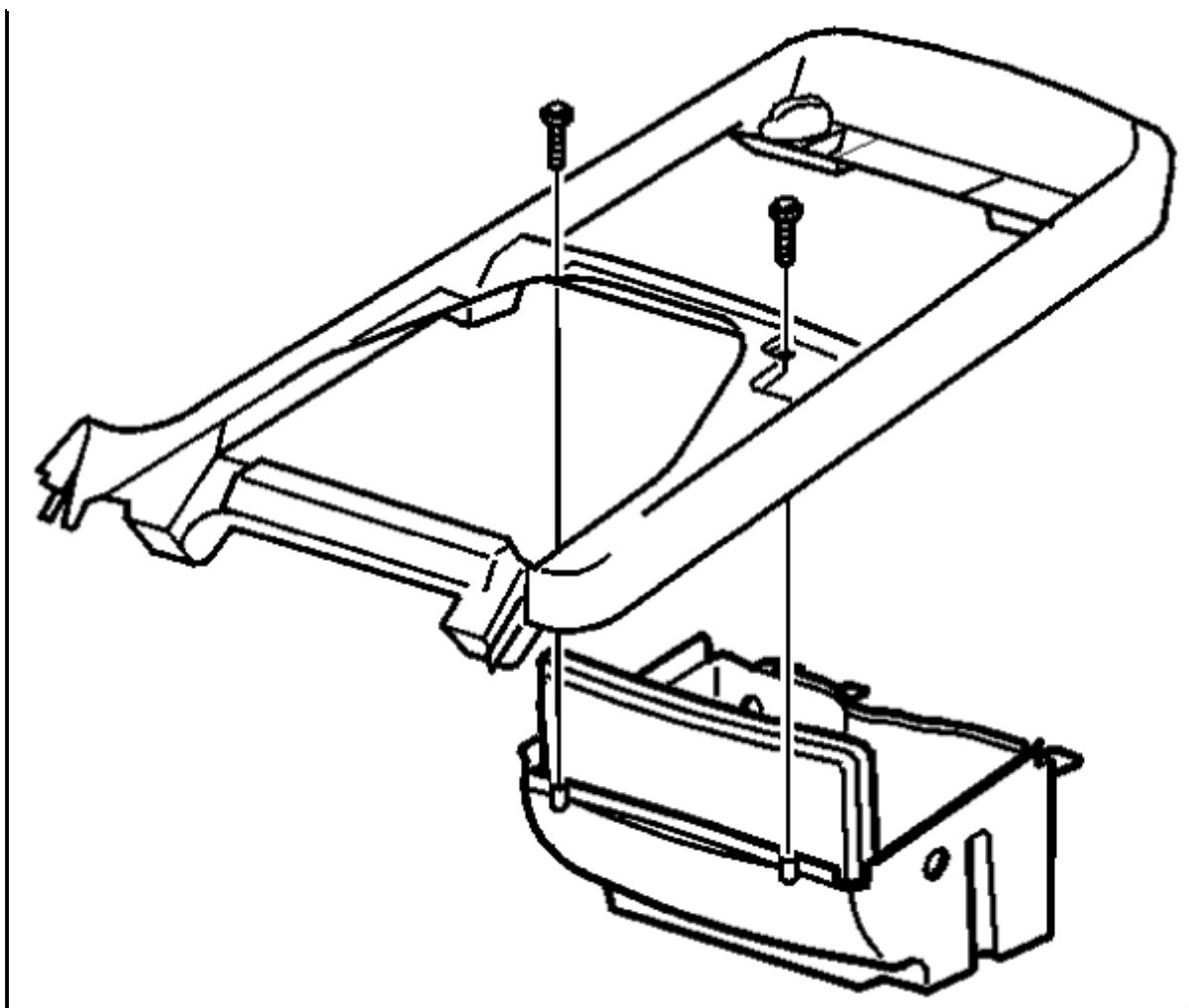
**Remove:**

- the clip with the spring (2) by the cover mechanism
- the 2 clips (1) securing the cover to the center console
- the cover (3).

**Replacing components**

**Replacing the lower section of the mug holder**





Zoom

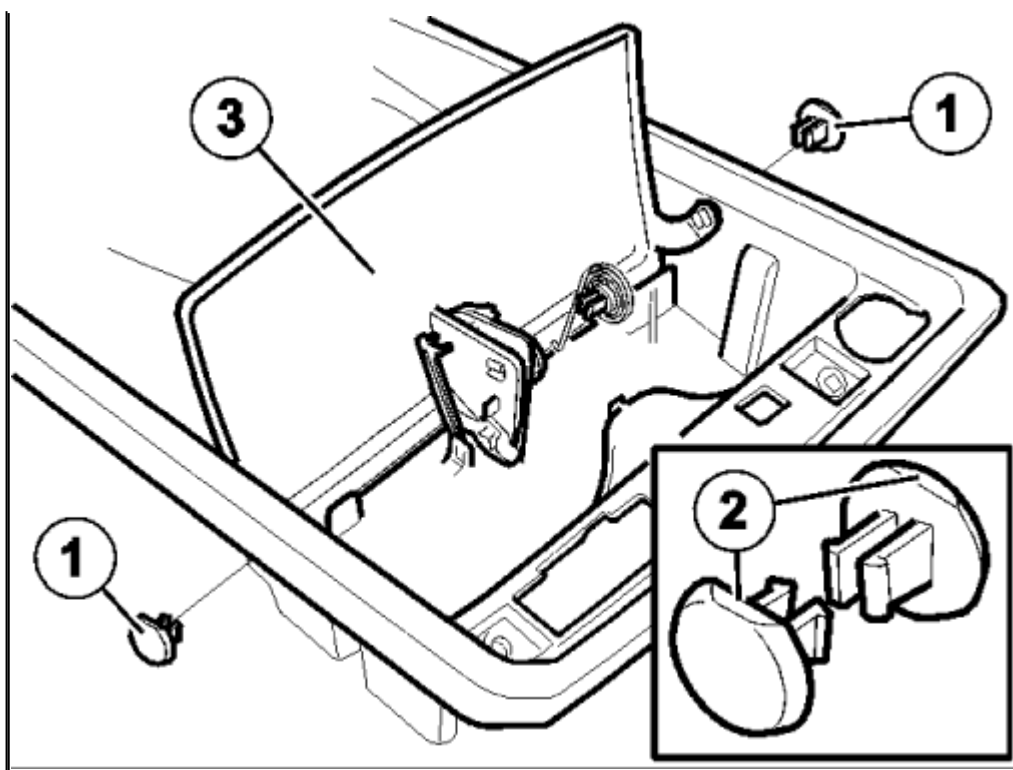
Sized for Print

If necessary, replace the mug holder housing.

## Installation

### Installing the panel





Zoom

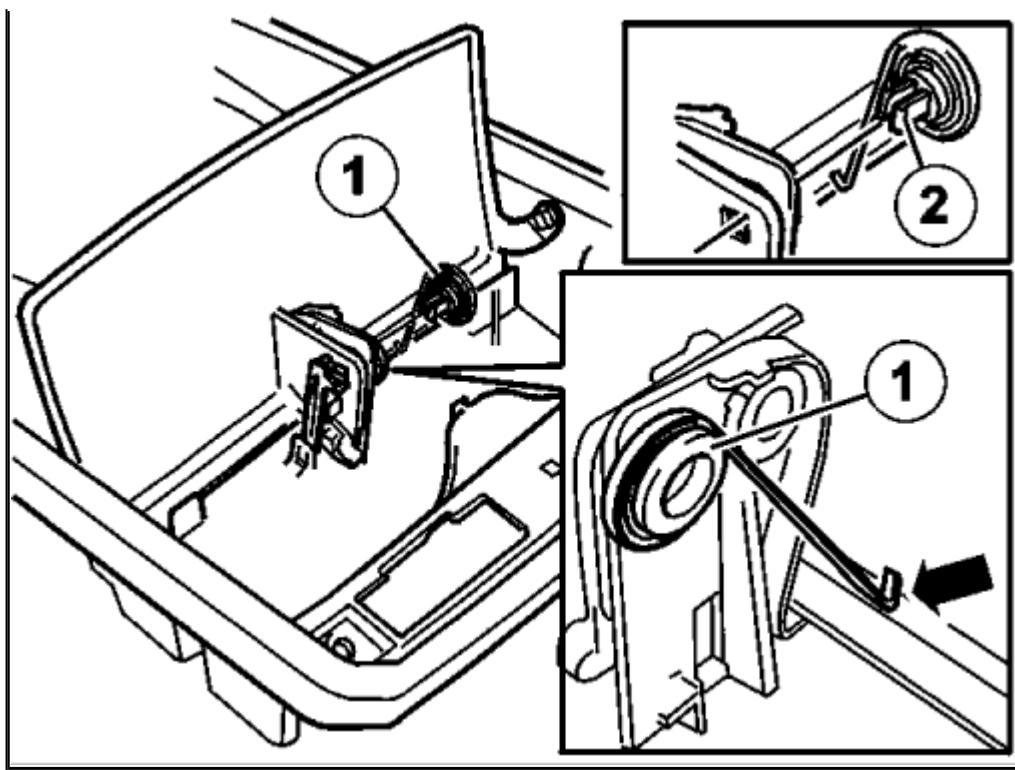
Sized for Print

**Install:**

- the cover (3)
- the outer clips (1). The beveled part (2) of the clips must be facing up.

**Installing the center mounting for the cover**





Zoom

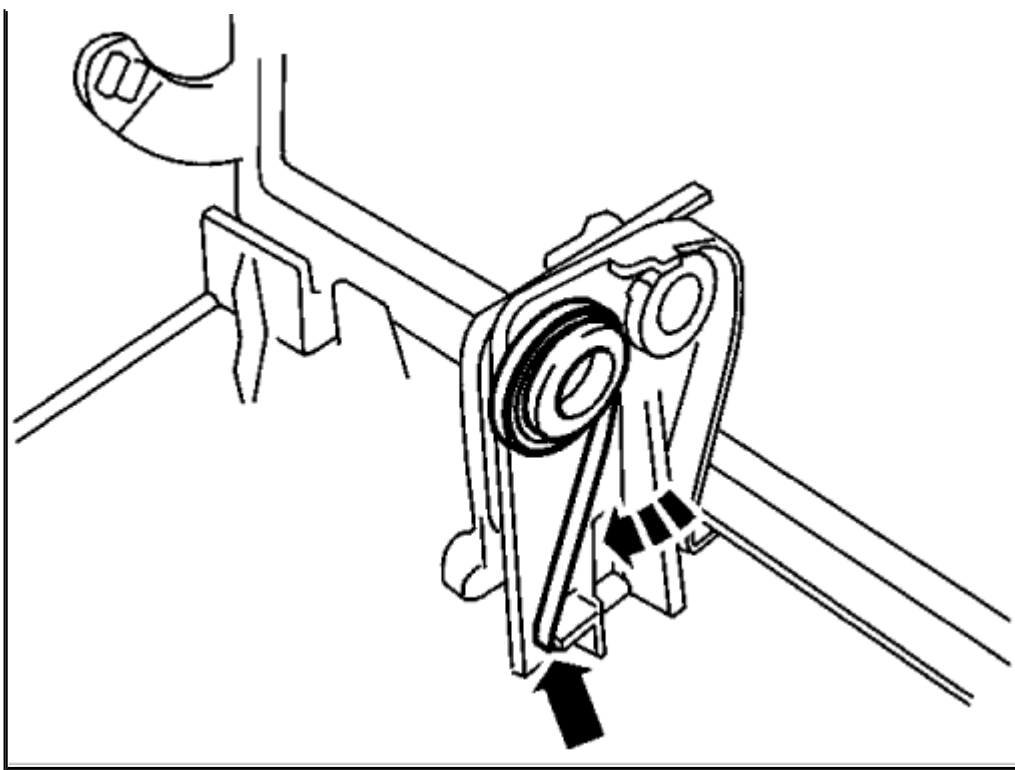
Sized for Print

Check that the internal hook on the spring is secured in the clip.

Align the arm of the spring with the cover. Install the clip (1) with the spring. The hooks (2) on the clip must be positioned vertically.

### Installing the spring





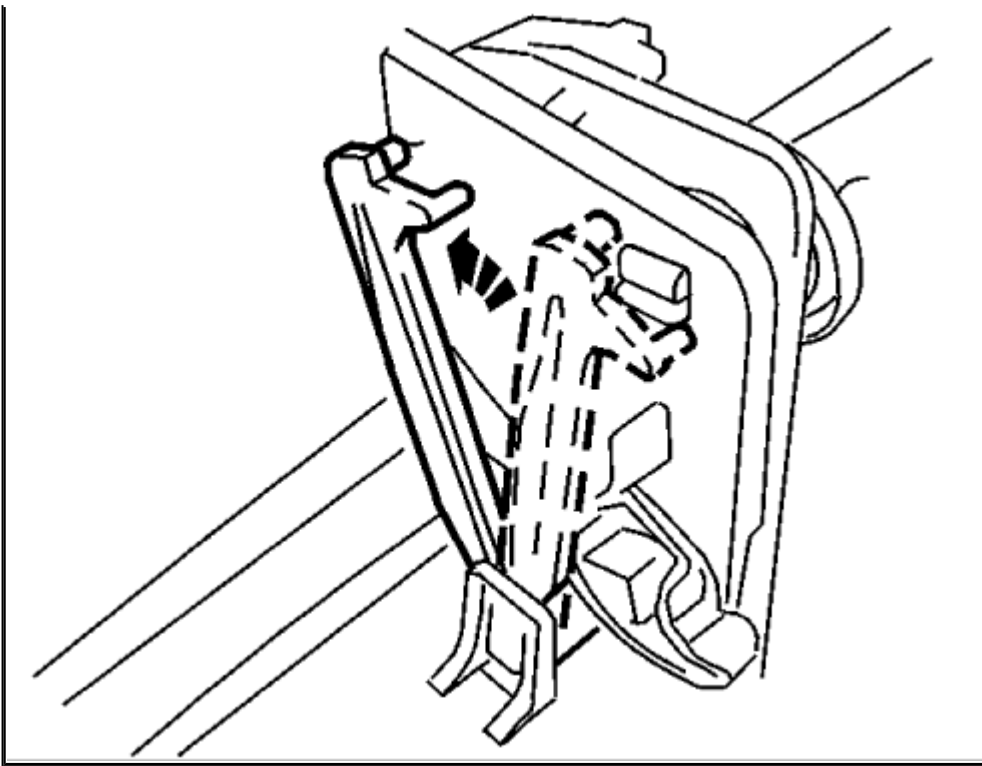
Zoom

Sized for Print

Move the arm of the spring backwards so that the hook grips in the mounting under the clip.

### Installing the pen holder and mug holder





Zoom

Sized for Print

Move the arm of the mechanism forwards.

Check the function of the cover.

Install the insert and the pen holder.

**Installing the center console**

Install the upper section of the center console.

Test all the functions that may have been affected