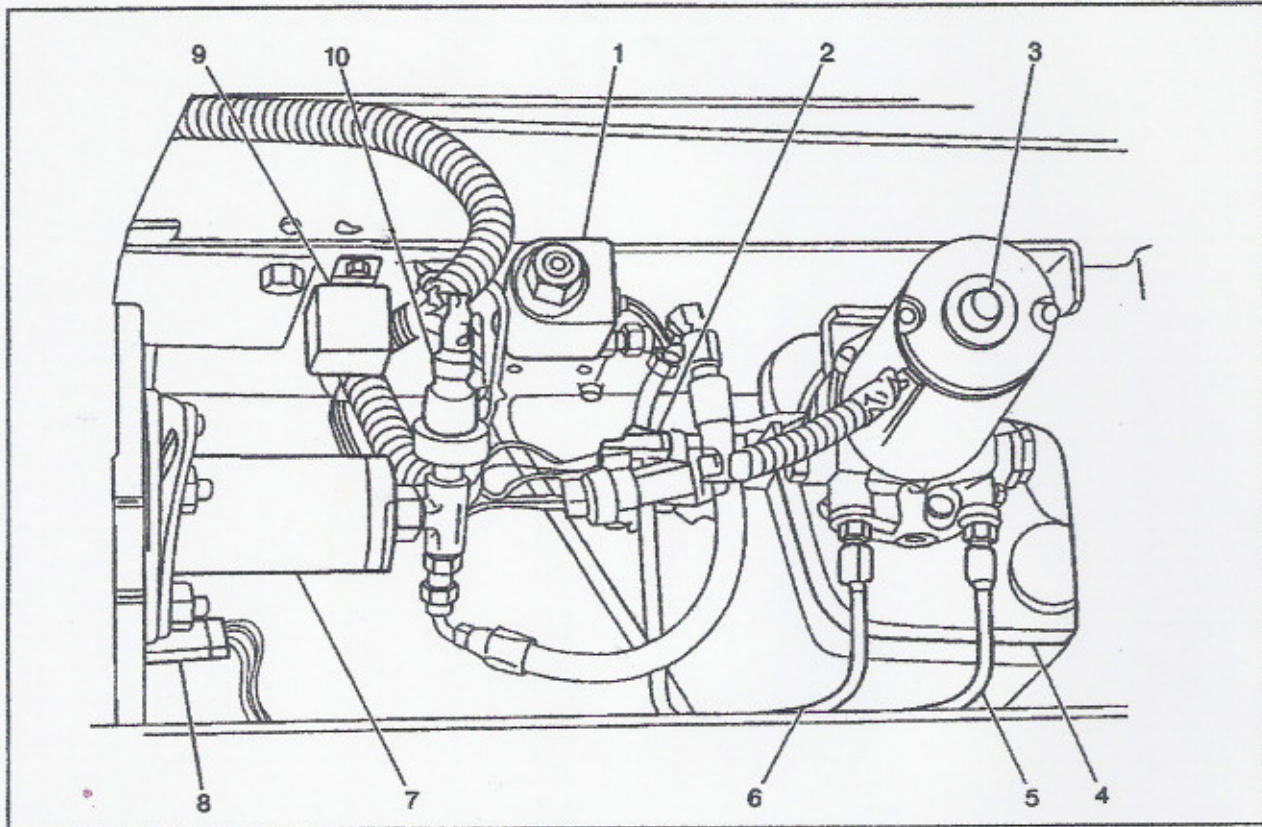


Park Brake System Component Views

Auto Apply Park Brake Components (Motorhome)



397845

Legend

- | | |
|--|---|
| (1) Park Brake Pressure Valve Solenoid | (6) Hydraulic Lines |
| (2) Park Brake Pump Motor Switch | (7) Park Brake Actuator Assembly |
| (3) Park Brake Pump Motor | (8) Park Brake Actuator Position Switch |
| (4) Pump Motor Reservoir | (9) Park Brake Pump Motor Relay |
| (5) Hydraulic Lines | (10) Park Brake Pressure Indicator Switch |