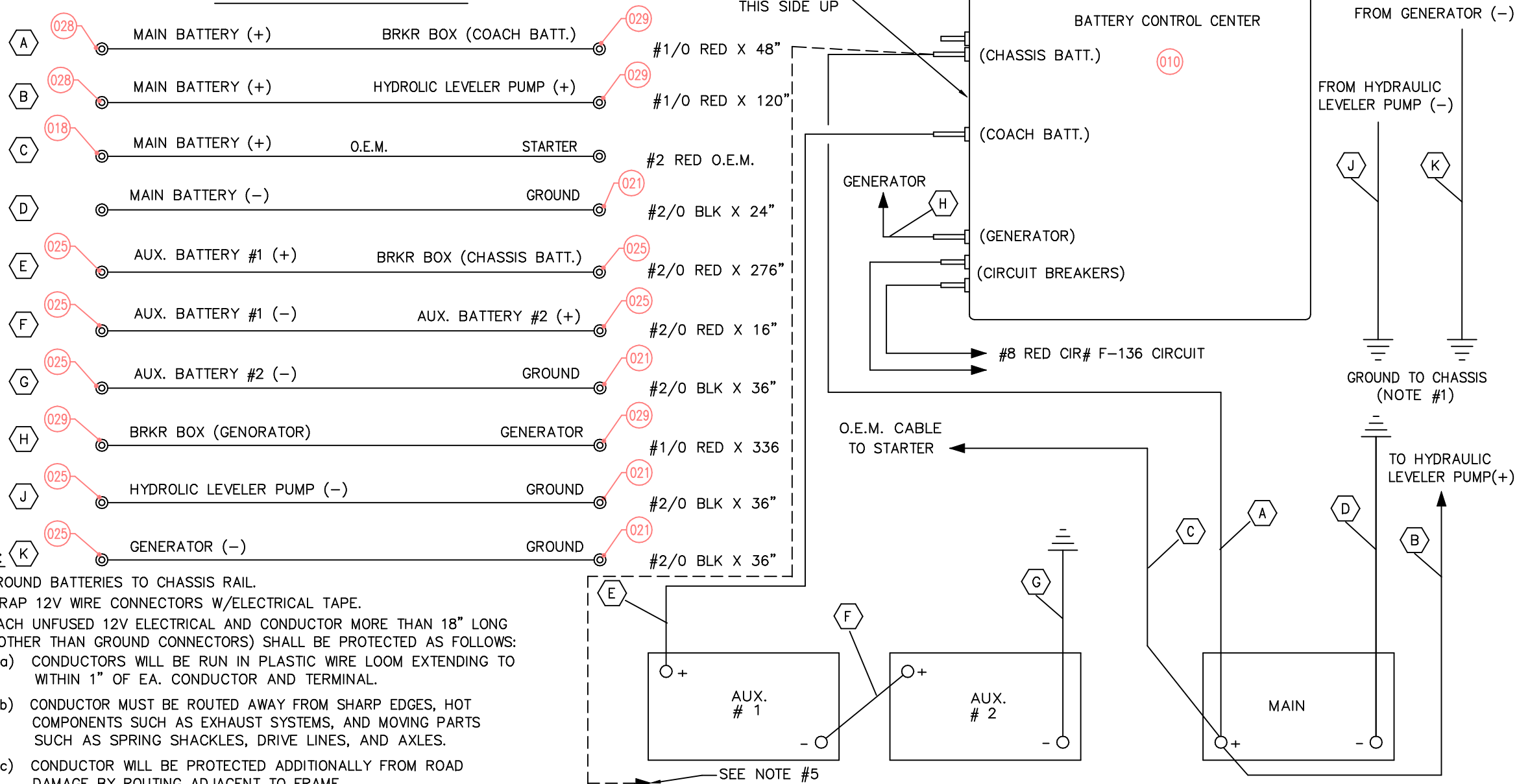


D.C. RELEASE	DESCRIPTION	DATE	BY	SCALE: 9" = 1'-0"	USED ON:	FLEETWOOD RECREATIONAL VEHICLE GROUP	PAGE NO. 777-02-19151
				DRAWN: R. Dario	DATE: 07-03-01		SHEET 1 OF 5
				PROJECT: plot\		TITLE: CHASSIS ELECTRICAL - WORKHORSE	
05-01		12/23/03	CSG	PLOT: 12/23/03 10:58:41 001IRONC2	AUX. INFO.		

BATTERY CABLE DETAILS

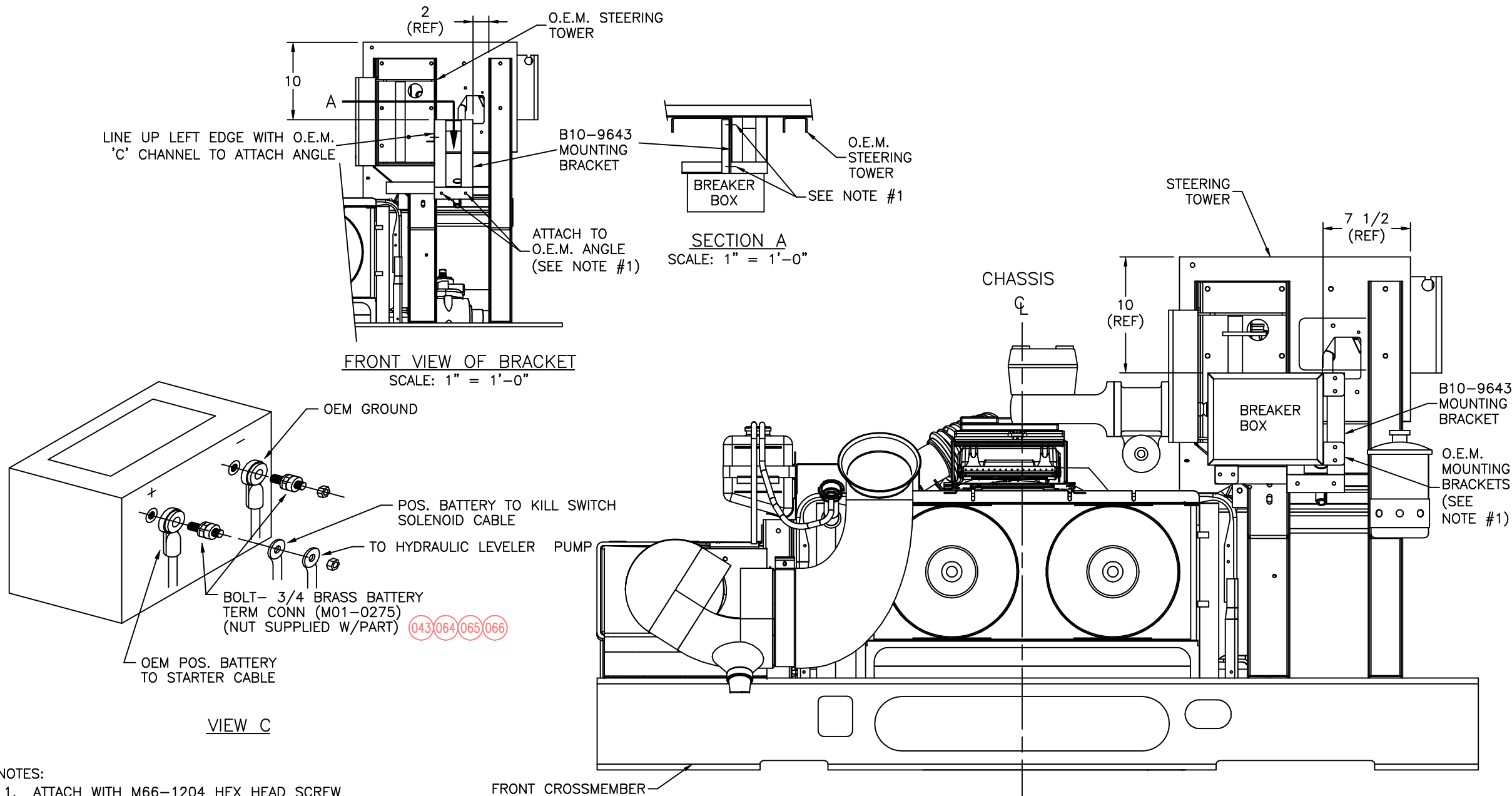


NOTES:

1. GROUND BATTERIES TO CHASSIS RAIL.
2. WRAP 12V WIRE CONNECTORS W/ELECTRICAL TAPE.
3. EACH UNFUSED 12V ELECTRICAL AND CONDUCTOR MORE THAN 18" LONG (OTHER THAN GROUND CONNECTORS) SHALL BE PROTECTED AS FOLLOWS:
 - a) CONDUCTORS WILL BE RUN IN PLASTIC WIRE LOOM EXTENDING TO WITHIN 1" OF EA. CONDUCTOR AND TERMINAL.
 - b) CONDUCTOR MUST BE ROUTED AWAY FROM SHARP EDGES, HOT COMPONENTS SUCH AS EXHAUST SYSTEMS, AND MOVING PARTS SUCH AS SPRING SHACKLES, DRIVE LINES, AND AXLES.
 - c) CONDUCTOR WILL BE PROTECTED ADDITIONALLY FROM ROAD DAMAGE BY ROUTING ADJACENT TO FRAME.
4. SEE PAGE 707-02-90958 FOR BATTERY CONTROL CENTER INFO
5. CONNECT TO S/O CONTROLLER MODULES (MODELS W/ S/O ONLY, SEE INDIVIDUAL S/O ELECTRICAL MOTOR BOM# XXX-19-030XX).

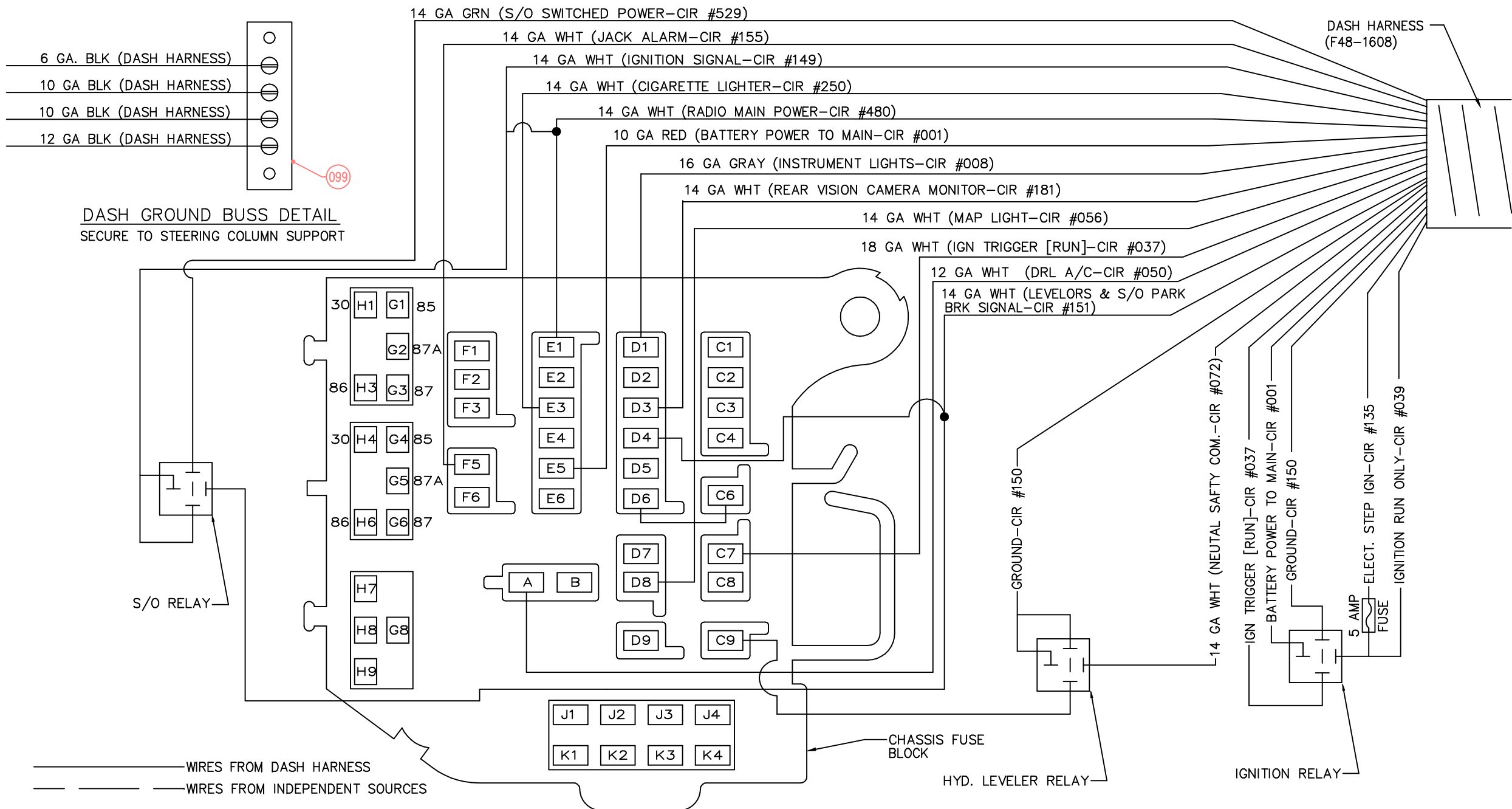
BATTERIES

D.C. RELEASE	DESCRIPTION	DATE	BY	SCALE: 1 1/2" = 1'-0"	USED ON:	FLEETWOOD RECREATIONAL VEHICLE GROUP	PAGE NO. 777-02-19151 SHEET 2 OF 5
				DRAWN: R. Dario DATE: 07-03-01			
				PROJECT: plot\		TITLE: CHASSIS ELECTRICAL - WORKHORSE	
05-01		12/23/03	CSG	PLOT: 12/23/03 10:58:33 001IRONC2	AUX. INFO.		



NOTES:
1. ATTACH WITH M66-1204 HEX HEAD SCREW

D.C. RELEASE	DESCRIPTION	DATE	BY	SCALE: 9" = 1'-0"	USED ON:	FLEETWOOD RECREATIONAL VEHICLE GROUP	PAGE NO. 777-02-19151 SHEET 4 OF 5
				DRAWN: R. Dario DATE: 07-03-01			
				PROJECT: plot\		TITLE: CHASSIS ELECTRICAL - WORKHORSE	
05-01		12/23/03	CSG	PLOT: 12/23/03 10:58:10 001IRONC2	AUX. INFO.		



D.C. RELEASE	DESCRIPTION	DATE	BY	SCALE: 9" = 1'-0"	USED ON:	FLEETWOOD RECREATIONAL VEHICLE GROUP	PAGE NO. 777-02-19151 SHEET 5 OF 5
				DRAWN: R. Dario DATE: 07-03-01			
				PROJECT: plot\		TITLE: CHASSIS ELECTRICAL - WORKHORSE	
05-01		12/23/03	CSG	PLOT: 12/23/03 10:58:06 001IRONC2	AUX. INFO.		

