

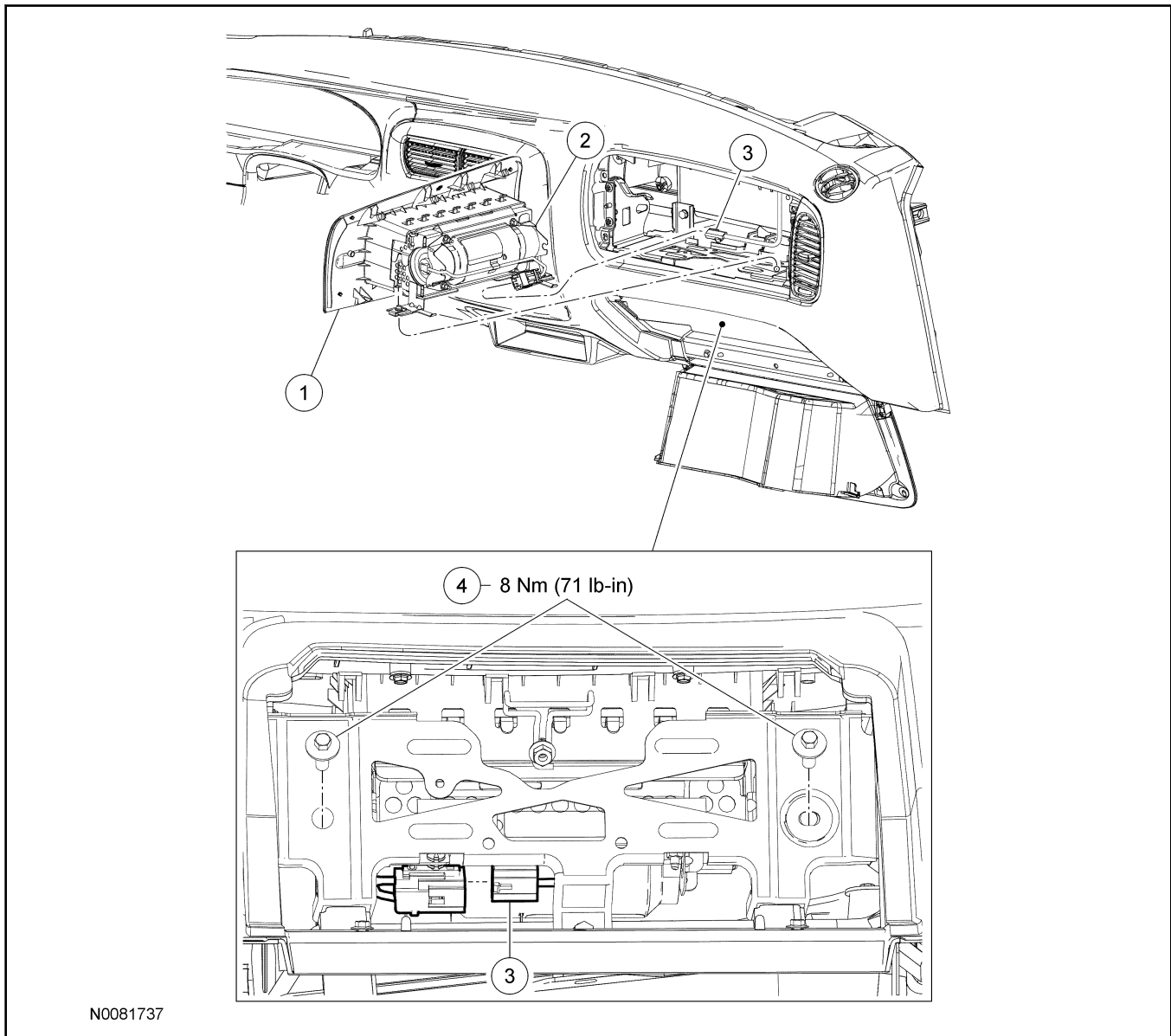
SECTION 501-20B Supplemental Restraint System

CONTENTS

PAGE

Passenger Air Bag Module	501-20B-2
--------------------------------	-----------

Passenger Air Bag Module



Item	Part Number	Description
1	044A74	Passenger air bag module assembly
2	04338	Passenger air bag cover
3	—	Passenger air bag module electrical connector (part of 14401)
4	W705962	Passenger air bag module bolts (2 required)

Removal

WARNING:

Always carry or place a live air bag module with the air bag and deployment door/trim cover/tear seam pointed away from the body. Do not set a live air bag module down with the deployment door/trim cover/tear seam face down. Failure to follow these instructions may result in serious personal injury in the event of an accidental deployment.

WARNING:

Never probe the electrical connectors on air bag, Safety Canopy® or side air curtain modules. Failure to follow this instruction may result in the accidental deployment of these modules, which increases the risk of serious personal injury or death.

(Continued)**NOTICE:**

Do not install a new passenger air bag module assembly due to a damaged or discolored passenger air bag cover. The passenger air bag cover can be serviced separately from the passenger air bag module assembly. For additional information, refer to Air Bag Trim Cover — Passenger in this section.

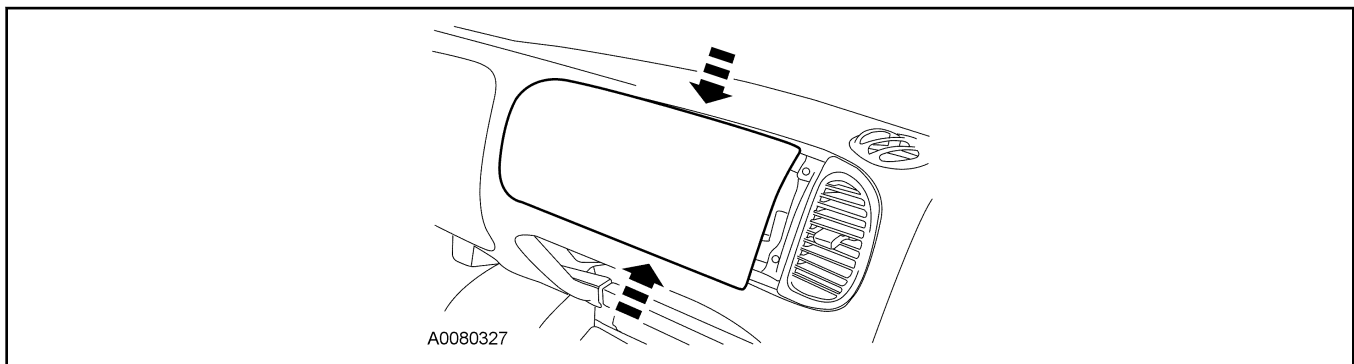
NOTE:

The air bag warning indicator illuminates when the correct Restraints Control Module (RCM) fuse is removed and the ignition is ON.

NOTE:

The Supplemental Restraint System (SRS) must be fully operational and free of faults before releasing the vehicle to the customer.

1. Depower the SRS. For additional information, refer to Supplemental Restraint System (SRS) Depowering and Repowering in the General Procedures portion of this section.
2. Disconnect the passenger air bag module electrical connector.
3. Remove the 2 passenger air bag module bolts.
4. Through the glove compartment opening, release the passenger air bag cover clips and separate the passenger air bag cover and passenger air bag module from the instrument panel.
 - If necessary, push down on the top and up on the bottom of the passenger air bag cover while pushing out on the passenger air bag module, releasing the clips from the instrument panel.

**Installation**

1. Install the passenger air bag module and 2 bolts.
 - Tighten to 8 Nm (71 lb-in).
2. Connect the passenger air bag module electrical connector.
3. Repower the SRS. For additional information, refer to Supplemental Restraint System (SRS) Depowering and Repowering in the General Procedures portion of this section.