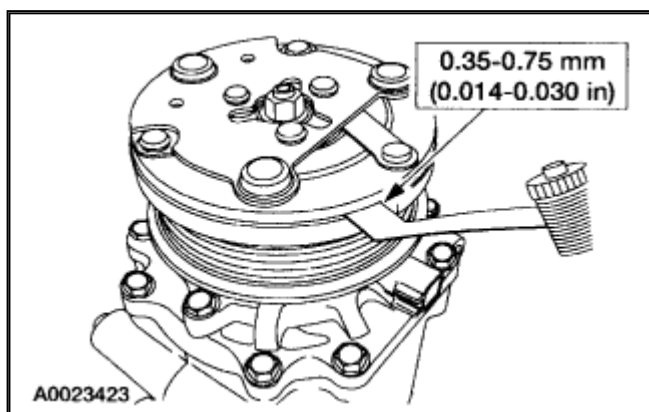


**2003 Ford Truck Explorer 4WD V6-4.0L VIN E**[Vehicle Level](#) → [Heating and Air Conditioning](#) → [Compressor HVAC](#) → [Compressor Clutch](#) → [Adjustments](#) ⇄**Adjustments**[Notes](#)**AIR CONDITIONING (A/C) CLUTCH AIR GAP ADJUSTMENT**

Zoom

Sized for Print

1. Check the A/C clutch air gap at three equally spaced places between the clutch plate and the A/C clutch pulley.
2. If the A/C clutch air gap is out of range, remove the clutch plate. Add or remove spacers between the clutch plate hub and the compressor shaft until the clearance is within specification.