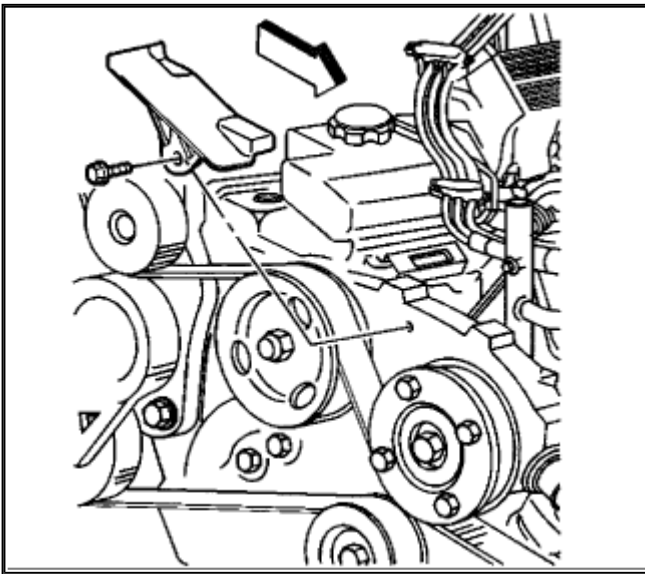


[Select Vehicle](#) | [New TSBs](#) | [Technician's Reference](#) Component Search: 

OK

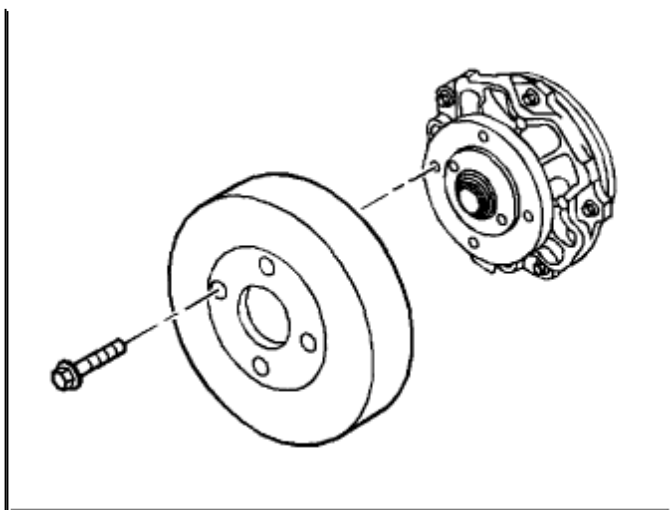
[Conversion Calculator](#)**2003 Buick Truck Rendezvous V6-3.4L VIN E**[Vehicle Level](#) → [Engine, Cooling and Exhaust](#) → [Cooling System](#) → [Water Pump](#) → [Service and Repair](#) ←**Service and Repair**[Notes](#)**Water Pump Replacement****Removal Procedure**

Zoom

Sized for Print

1. Drain the [cooling system](#) until the coolant is below the level of the water pump.
2. Remove the [drive belt](#) guard.
3. Loosen the water pump pulley bolts.
4. Remove the [drive belt](#).

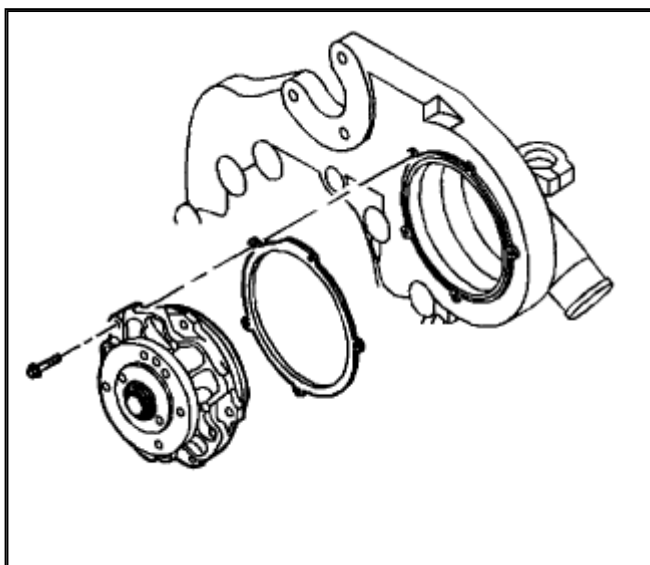




Zoom

Sized for Print

5. Remove the water pump pulley bolts.
6. Remove the water pump pulley.



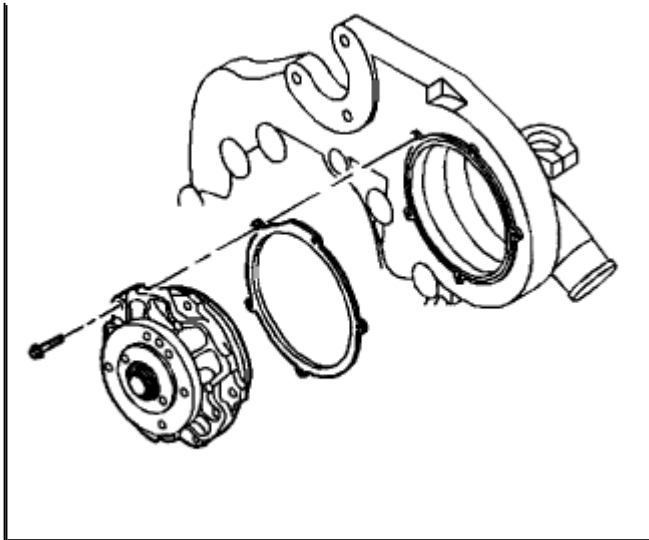
Zoom

Sized for Print

7. Remove the water pump bolts.
8. Remove the water pump.
9. Remove the [water pump gasket](#).
10. Clean the water pump mating surfaces.

### Installation Procedure

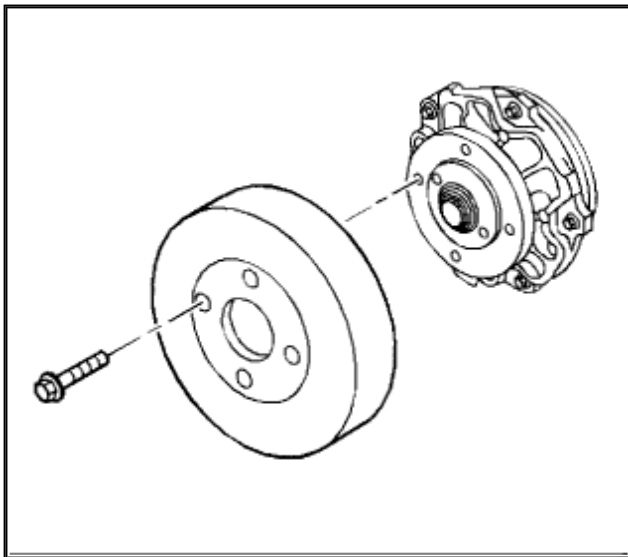




Zoom

Sized for Print

1. Install the [water pump gasket](#).
2. Install the water pump **Notice:** Refer to Fastener Notice in Service Precautions.
3. Install the water pump bolts. Tighten the bolts to **10 Nm (89 inch lbs.)**.



Zoom

Sized for Print

4. Install the water pump pulley.
5. Install the water pump pulley bolts.
6. Install the [drive belt](#). Tighten the water pump pulley bolts to **25 Nm (18 inch lbs.)**.





Zoom

Sized for Print

7. Install the [drive belt](#) guard.
8. Fill the [cooling system](#).

© 2010 ALLDATA LLC. All rights reserved.  
[Terms of Use](#)