

[Home](#) | [Account](#) | [Contact ALLDATA](#) | [Log Out](#) | [Help](#)

PAUL REDEHOFT

[Select Vehicle](#) | [New TSBs](#) | [Technician's Reference](#)

Component Search:

OK

Conversion Calculator

2009 Toyota Corolla L4-1.8L (2ZR-FE)[Vehicle Level](#) → [Accessories and Optional Equipment](#) → [Radio/Stereo](#) → [Service and Repair](#) → [Removal](#) ↗

Removal

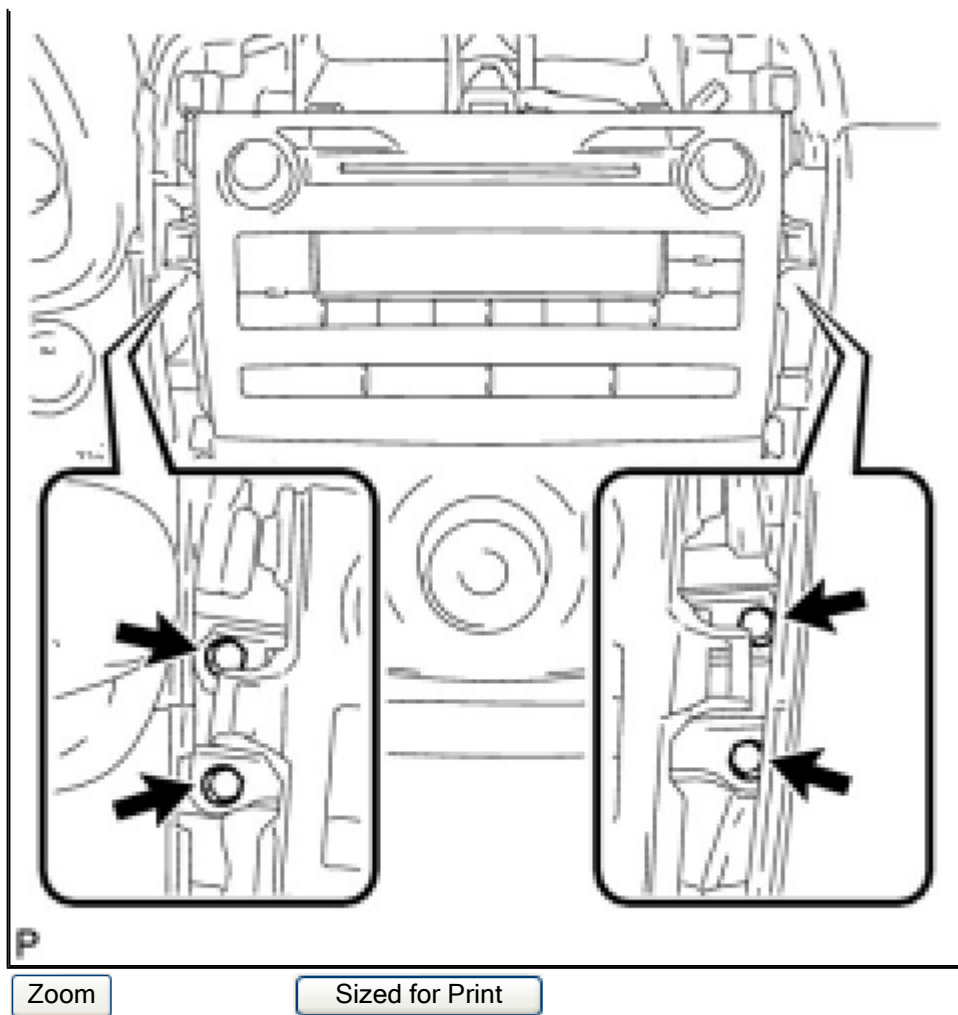
[Notes](#)

AUDIO / VIDEO: [RADIO RECEIVER](#): REMOVAL

REMOVAL

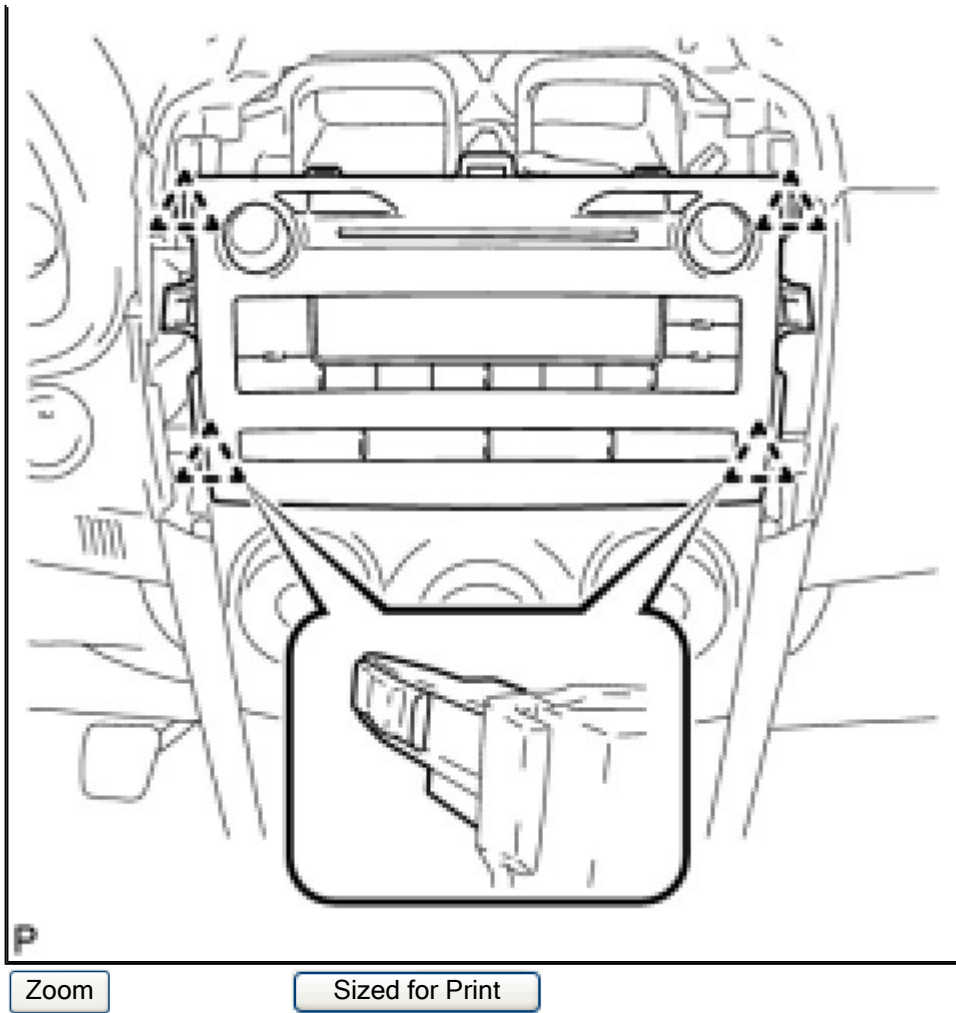
1. REMOVE LOWER INSTRUMENT PANEL FINISH PANEL LH [See: Body and Frame\Interior Moulding / Trim\Dashboard / Instrument Panel\Service and Repair\Upper Instrument Panel\Removal](#)
2. REMOVE LOWER INSTRUMENT PANEL FINISH PANEL RH [See: Body and Frame\Interior Moulding / Trim\Dashboard / Instrument Panel\Service and Repair\Upper Instrument Panel\Removal](#)
3. REMOVE INSTRUMENT PANEL FINISH PANEL END LH [See: Body and Frame\Interior Moulding / Trim\Dashboard / Instrument Panel\Service and Repair\Upper Instrument Panel\Removal](#)
4. REMOVE INSTRUMENT PANEL FINISH PANEL END RH [See: Body and Frame\Interior Moulding / Trim\Dashboard / Instrument Panel\Service and Repair\Upper Instrument Panel\Removal](#)
5. REMOVE CENTER INSTRUMENT PANEL REGISTER ASSEMBLY [See: Body and Frame\Interior Moulding / Trim\Dashboard / Instrument Panel\Service and Repair\Upper Instrument Panel\Removal](#)
6. REMOVE [RADIO RECEIVER](#) WITH BRACKET





(a) Remove the 4 bolts.

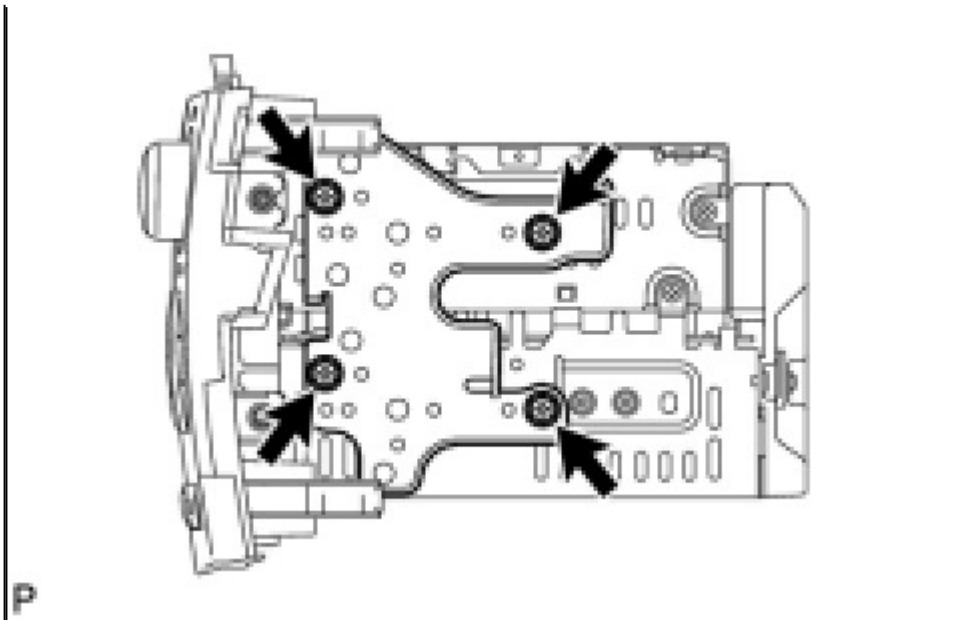




- (b) Pull the [radio receiver](#) with bracket toward the rear of the vehicle and disengage the 4 clips.
- (c) Disconnect each connector and remove the [radio receiver](#) with bracket.

7. REMOVE NO. 2 RADIO BRACKET



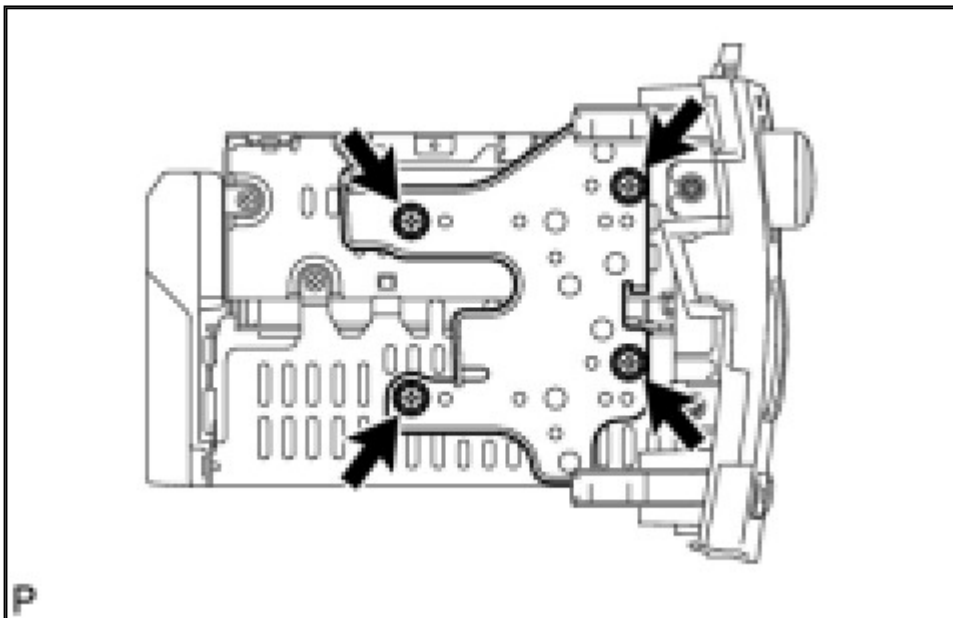


Zoom

Sized for Print

(a) Remove the 4 screws and No. 2 radio bracket.

8. REMOVE NO. 1 RADIO BRACKET



Zoom

Sized for Print

(a) Remove the 4 screws and No. 1 radio bracket.

9. REMOVE [RADIO RECEIVER](#) ASSEMBLY

© 2010 ALLDATA LLC. All rights reserved.
[Terms of Use](#)