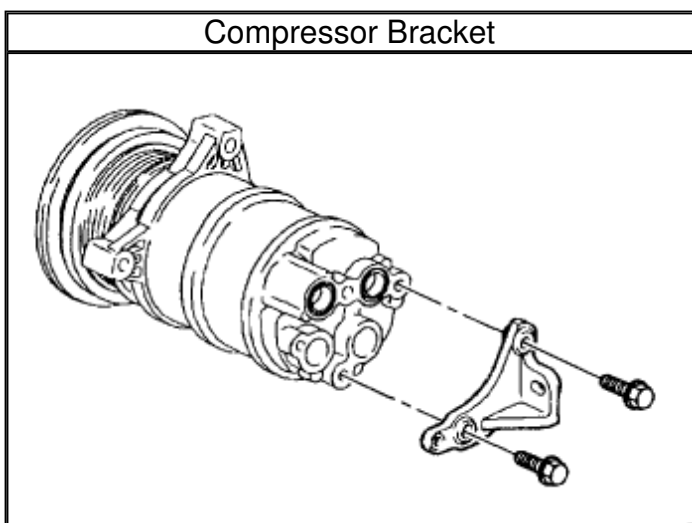


1998 Cadillac DeVille Concours V8-4.6L VIN 9

[Vehicle Level](#) → [Heating and Air Conditioning](#) → [Compressor HVAC](#) → [Service and Repair](#) → [Compressor Replacement](#) ←

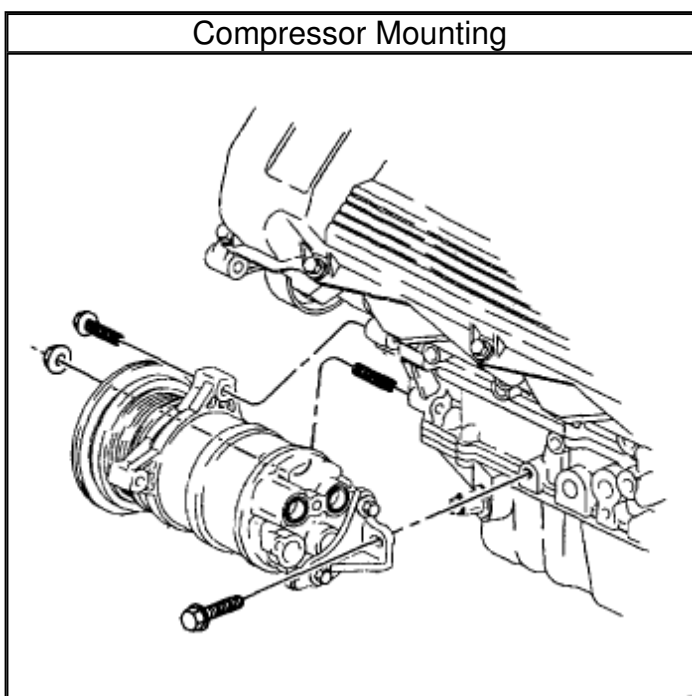
Compressor Replacement

[Notes](#)



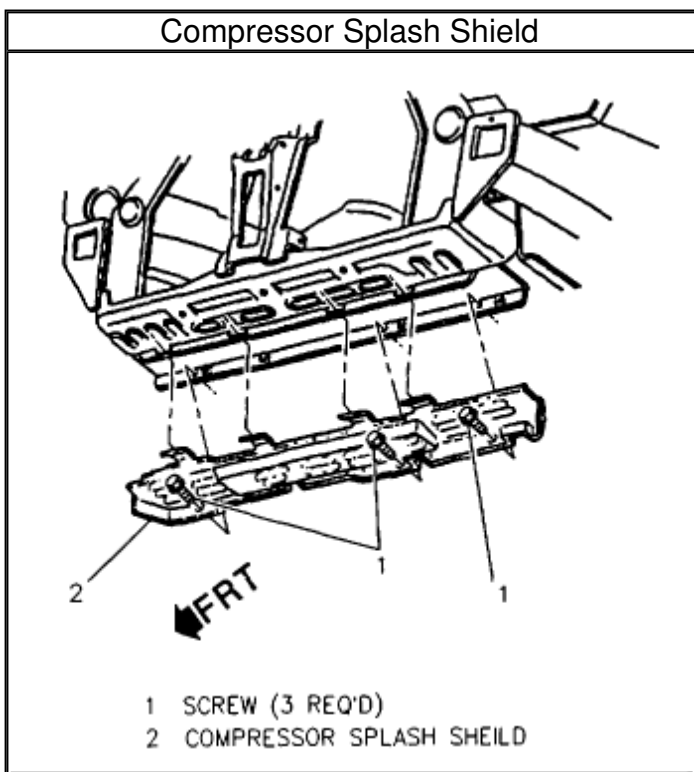
Zoom

Sized for Print



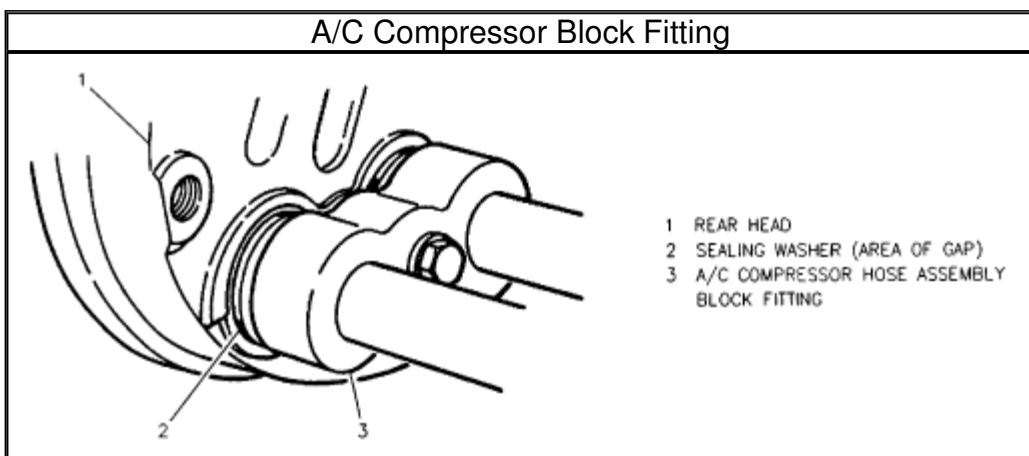
Zoom

Sized for Print



Zoom

Sized for Print



Zoom

Sized for Print

Remove or Disconnect

1. Recover [refrigerant](#).
2. Accessory drive belt.
3. Right wheel.
4. Compressor splash shield.
5. Engine splash shield and retainer.
6. Engine oil filter.

7. Oil cooler lines at oil filter adapter.
8. Compressor electrical connection.
9. One bolt securing compressor hose assembly.
10. Compressor from mounting bracket.
11. Mounting bracket and brace from engine.

Install or Connect

1. Compressor mountin2 bracket to vehicle. **Tighten**
 - Front bracket bolts **50 N.m (38 lb. ft.)** .
 - Rear bracket stud **24 N.m (18 lb. ft.)** .
 - Rear bracket nuts **50 N.m (38 lb. ft.)** .
2. Compressor to vehicle. **Tighten**
 - Rear mounting bolts **25 N.m (20 lb. ft.)** .
 - Front mounting bolts **50 N.m (38 lb. ft.)** .
3. Compressor hose assembly. **Tighten**
 - Compressor hose bolt to **33 N.m (24 lb. ft.)** .
4. Compressor electrical connection.
5. Oil cooler lines at oil filter adapter.
6. Engine oil filter.
7. Compressor and engine splash shields.
8. Right wheel.
 - Lower the vehicle.
9. Accessory drive belt.
10. Evacuate and charge system.
11. Leak test all [refrigerant](#) connections.