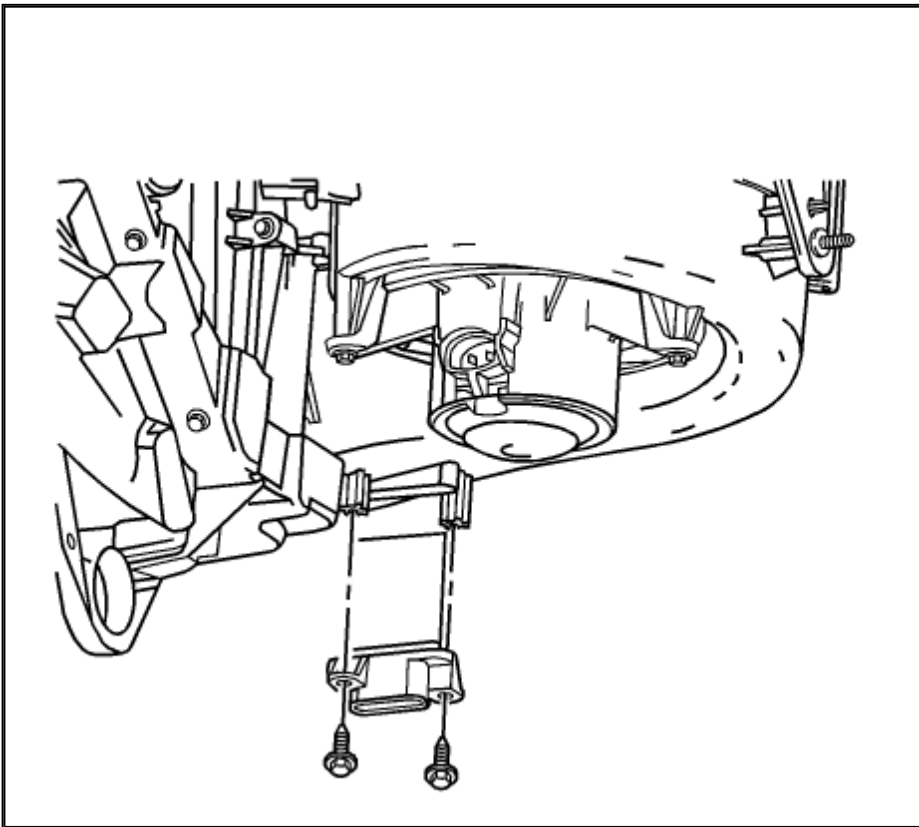


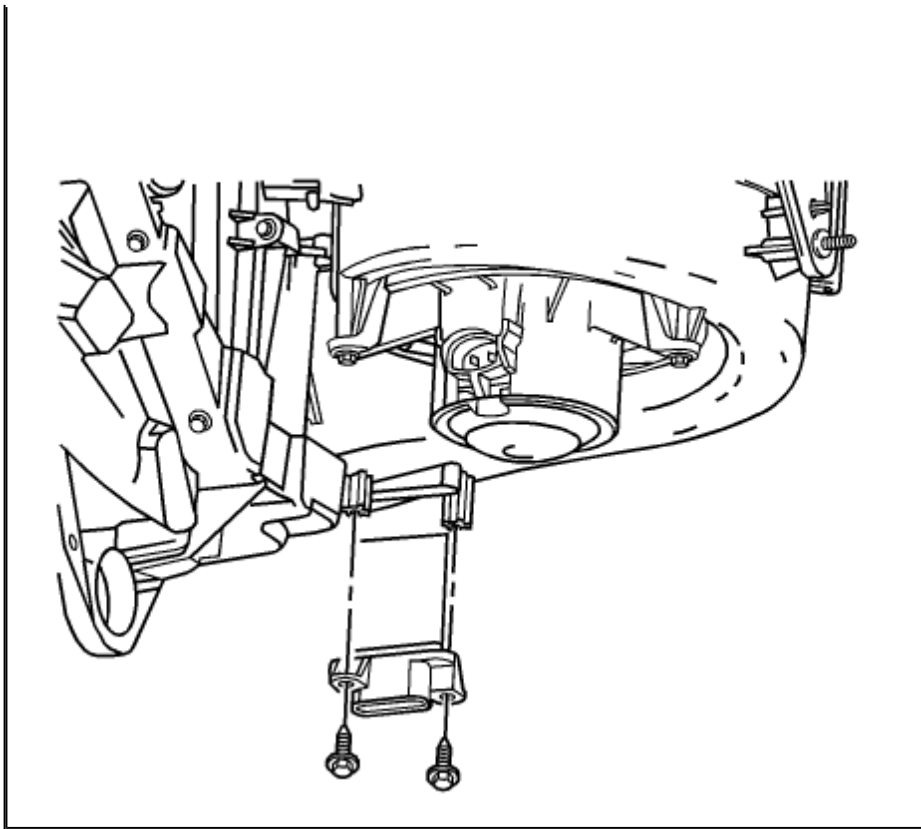
2006 Chevy Truck Equinox FWD V6-3.4L VIN F[Vehicle Level](#) → [Heating and Air Conditioning](#) → [Blower Motor Resistor](#) → [Service and Repair](#) ←**Service and Repair**[Notes](#)**BLOWER MOTOR RESISTOR REPLACEMENT****REMOVAL PROCEDURE**

Zoom

Sized for Print

1. Disconnect the electrical connector from the blower motor resistor.
2. Remove the blower motor resistor screws from the HVAC module.
3. Remove the blower motor resistor from the HVAC module.

INSTALLATION PROCEDURE



Zoom

Sized for Print

1. Install the blower motor resistor to the HVAC module.
2. Install the blower motor resistor screws to the HVAC module. Tighten the screws to **1.5 N.m (13 lb in)** . **NOTE:** Refer to Fastener Notice.
3. Connect the electrical connector to the blower motor resistor.