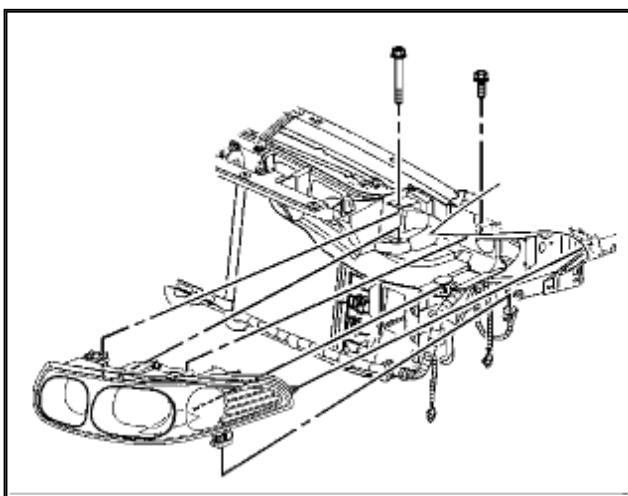
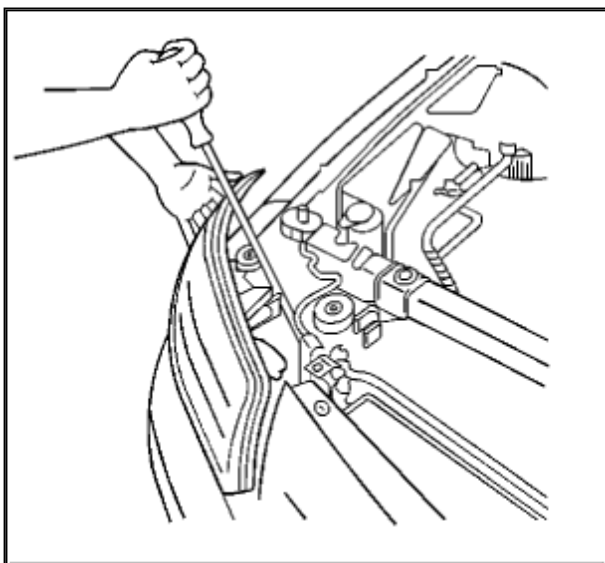


2003 Buick LeSabre V6-3.8L VIN K[Vehicle Level](#) → [Lighting and Horns](#) → [Headlamp](#) → [Service and Repair](#) ←**Service and Repair**[Notes](#)**HEADLAMP REPLACEMENT****REMOVAL PROCEDURE**

Zoom

Sized for Print

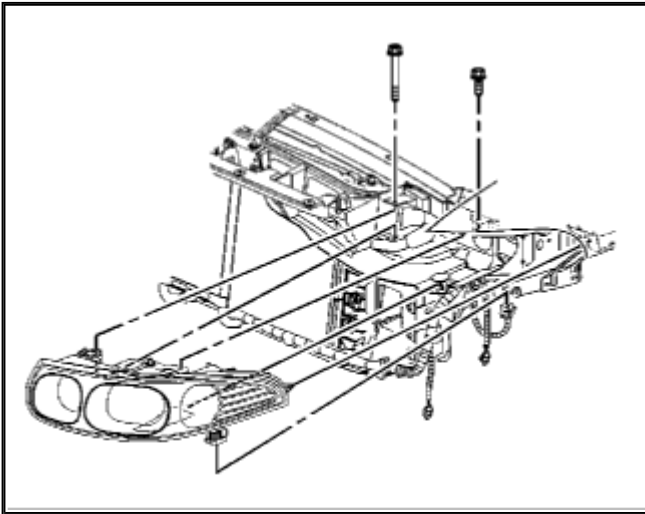
1. Remove the headlamp fasteners.



[Zoom](#)[Sized for Print](#)

2. Using a pry bar, gently pry in the center area of the headlamp assembly. Pry the headlamp assembly straight forward in order to unsnap the headlamp ball stud from the ball stud socket.
3. Slide the headlamp straight forward and disconnect the headlamp electrical connectors from the forward lamp wiring harness.
4. Remove the headlamp from the vehicle.

INSTALLATION PROCEDURE

[Zoom](#)[Sized for Print](#)

1. Install the headlamp to the vehicle.
2. Connect the electrical connectors.
3. Position the headlamp in order to align the locator pins with the headlamp mounting bracket.
4. Press the headlamp rearward in order to engage the ball stud with the ball stud socket.
5. Install the headlamp fasteners. **NOTE:** Refer to Fastener Notice in Service Precautions. **Tighten** Tighten the headlamp mounting fasteners to **9 N.m (80 lb in)**.