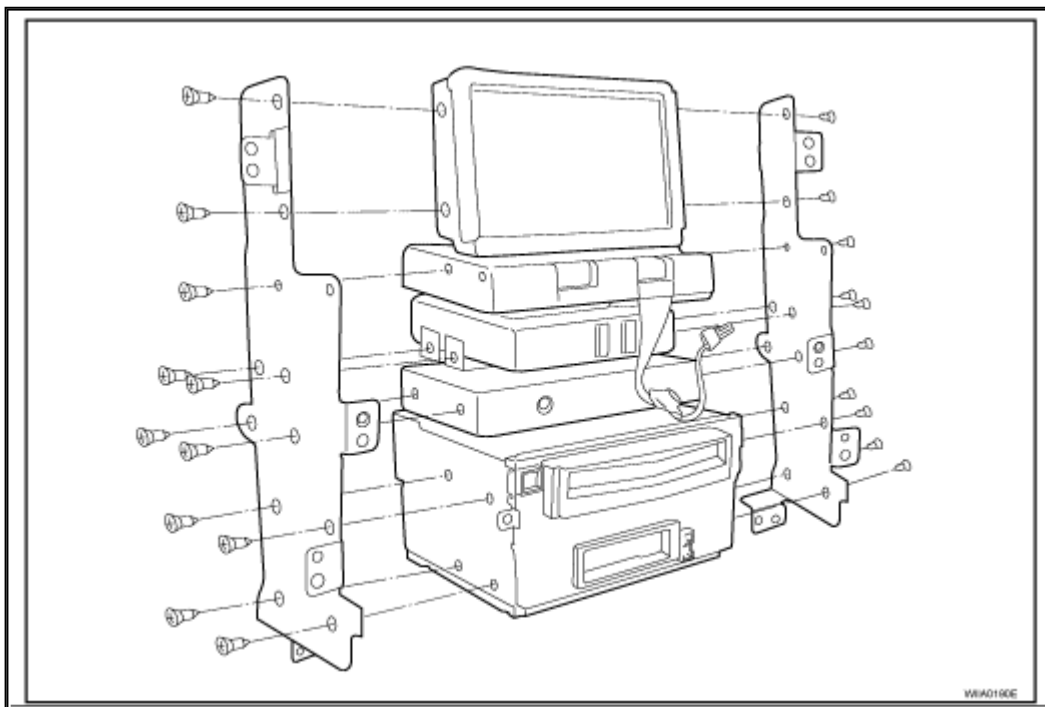


2004 Nissan-Datsun Maxima V6-3.5L (VQ35)

Vehicle Level → Body and Frame → Interior Moulding / Trim → Console → Service and Repair ←

Service and Repair

[Notes](#)



Zoom

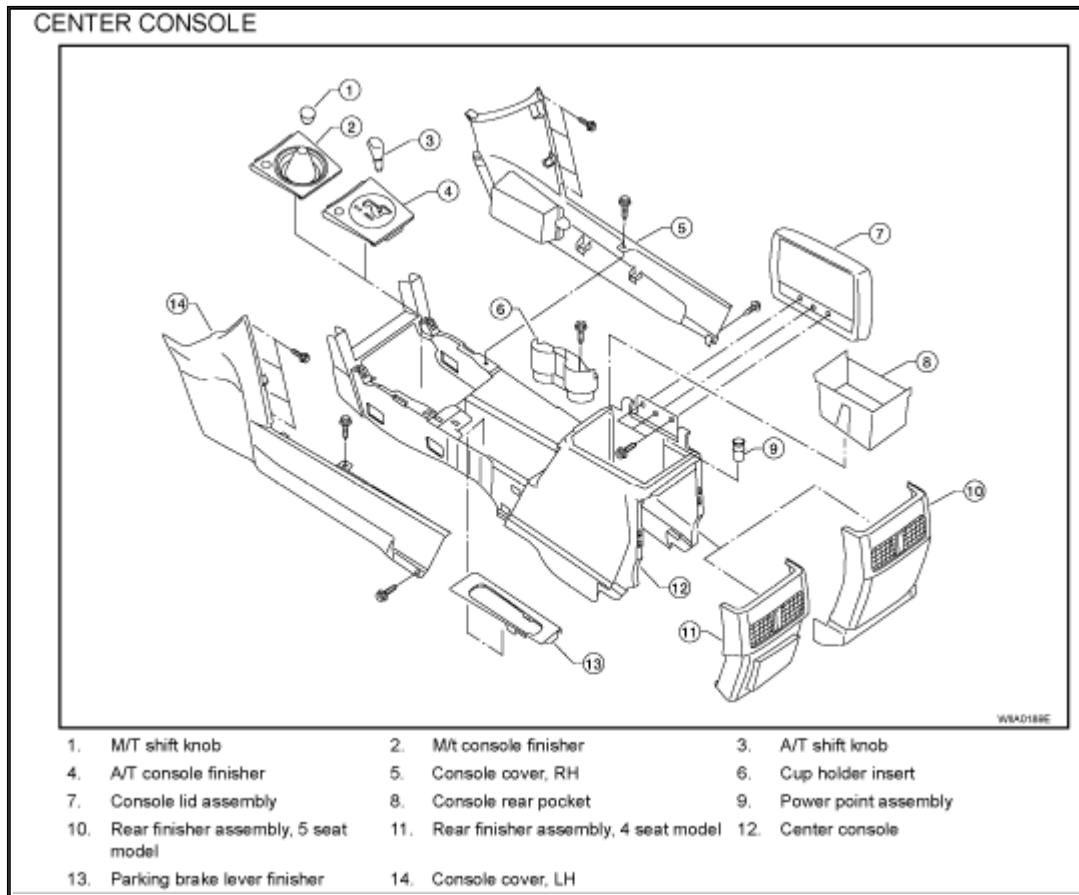
Sized for Print

Disassembly and Assembly

1. Remove screws from display unit and remove display unit from brackets. **CAUTION:** Handle the display unit carefully to avoid damage.
2. Remove screws and remove unified meter and A/C amp.
3. Remove screws and remove automatic drive positioner control unit from brackets.
4. Remove screws and remove the display control unit from brackets. **NOTE:** The display control unit is supplied only on vehicles with the navigation system.
5. Remove screws and remove audio unit from brackets. **CAUTION:**
 - When carrying audio unit body, do not touch internal mechanism access from cassette tape slot.
 - Be careful not to allow foreign material to enter from cassette tape slot.

Assembly is in the reverse order of disassembly

CAUTION: Use appropriate screws for each component, the screws for the audio unit are different from those the unified meter and A/C amp.



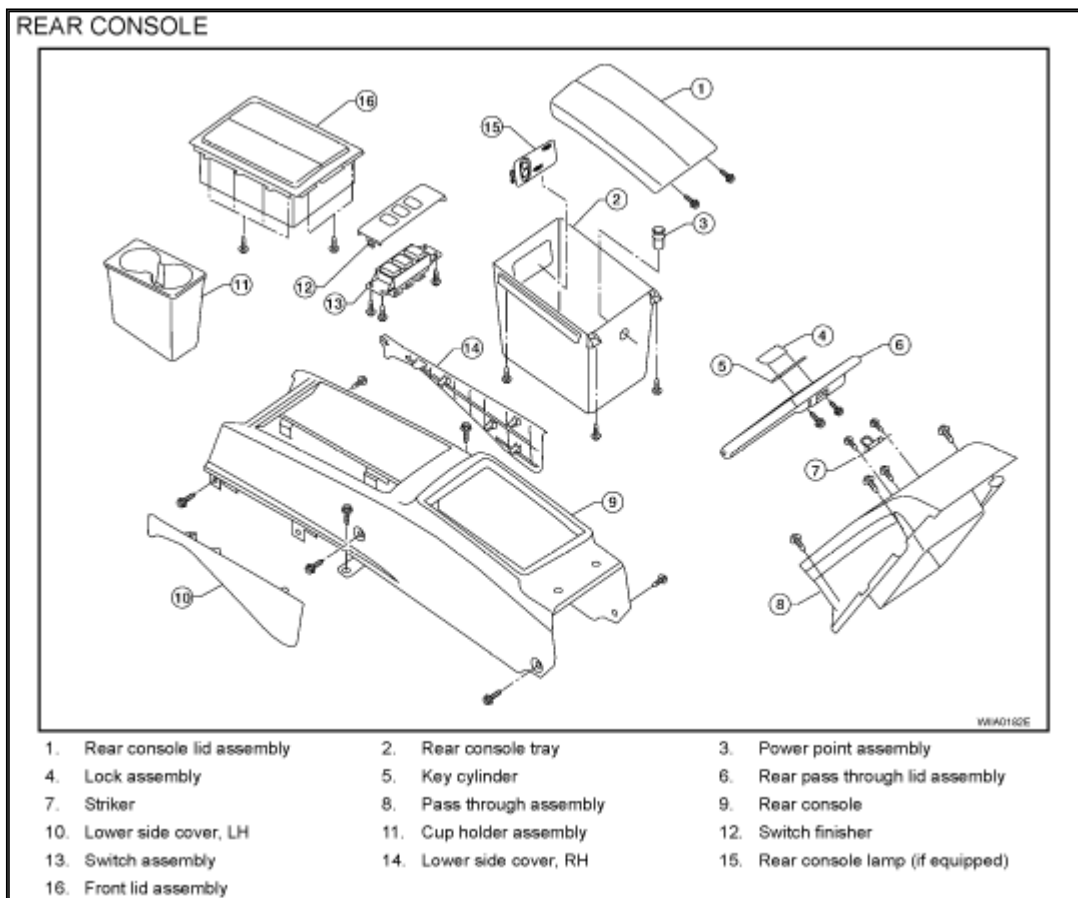
Zoom

Sized for Print

CENTER CONSOLE

1. On 4 seat models, rear console assembly must be removed prior to removing center console.
2. Remove RH instrument lower cover.
3. Remove instrument passenger lower panel and glove box assembly.
4. Remove lower driver instrument panel.
5. Remove shift knob and M/T or A/T console finisher.
 - Disconnect illumination bulb and hazard switch harnesses.
6. Remove cluster lid C.
7. Pull up parking brake lever and remove parking brake finisher from center console.
8. Remove screws from center console.
 - Disconnect electrical harnesses.

9. Move front seats forward and remove center console assembly.
10. Remove cup holder insert from cup holder assembly
11. Disconnect clips, remove screw on each side and remove RH and LH console covers.
12. Remove console rear pocket.
13. Remove power point assembly.
14. Remove screws from hinge plate and remove lid assembly from console box.
15. Release clips and remove rear finisher assembly. Assembly is in the reverse order of disassembly.



Zoom

Sized for Print

REAR CONSOLE

1. Remove rear seat cushions and disconnect harnesses.
2. Remove rear [seat backs](#) and disconnect harnesses.
3. Remove screws and remove pass through assembly.
4. Release clips and remove RH and LH lower side covers.
5. Remove screws, disconnect harness and remove rear console assembly.
6. Remove cup holder assembly.
7. Remove screws and remove rear console lid assembly.
8. Disconnect harnesses and remove switch finisher and switch assembly.

- Remove screws to separate switch finisher and switch assembly.
9. Remove screws and remove rear console tray.
 - Disconnect harnesses.
 - Remove power point assembly.
 - Remove rear console lamp (if equipped).
 10. Remove screws and remove front lid assembly.
 11. Remove screws and remove striker from rear pass through assembly panel.
 12. Remove rear pass through lid assembly.
 13. Remove screws and remove lock assembly and key cylinder. Assembly is in the reverse order of disassembly.

© 2010 ALLDATA LLC. All rights reserved.

[Terms of Use](#)