

2005 GMC Truck Yukon/Denali XL 1500 2WD V8-6.0L VIN U

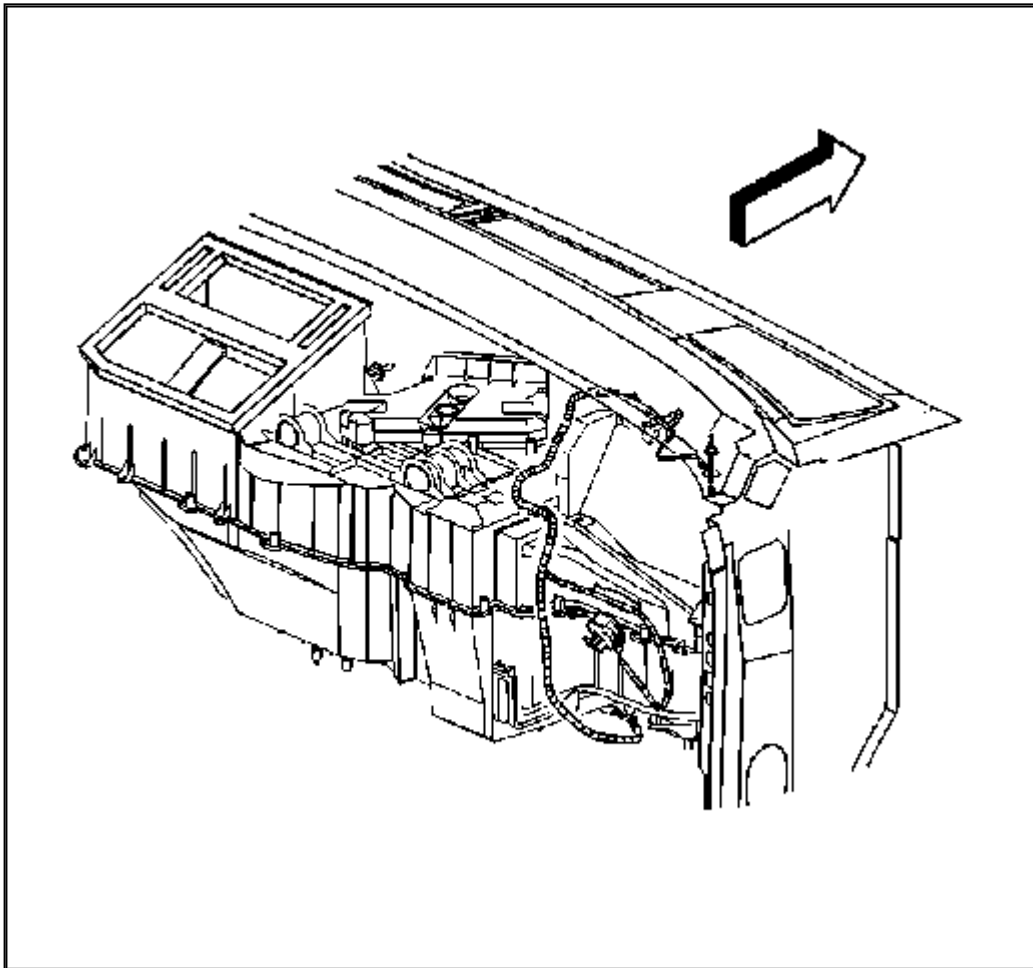
[Vehicle Level](#) → [Heating and Air Conditioning](#) → [Control Module HVAC](#) → [Service and Repair](#) → [HVAC System - Automatic](#) → [Blower Motor Control Processor Replacement](#) ←

Blower Motor Control Processor Replacement

[Notes](#)

BLOWER MOTOR CONTROL PROCESSOR REPLACEMENT

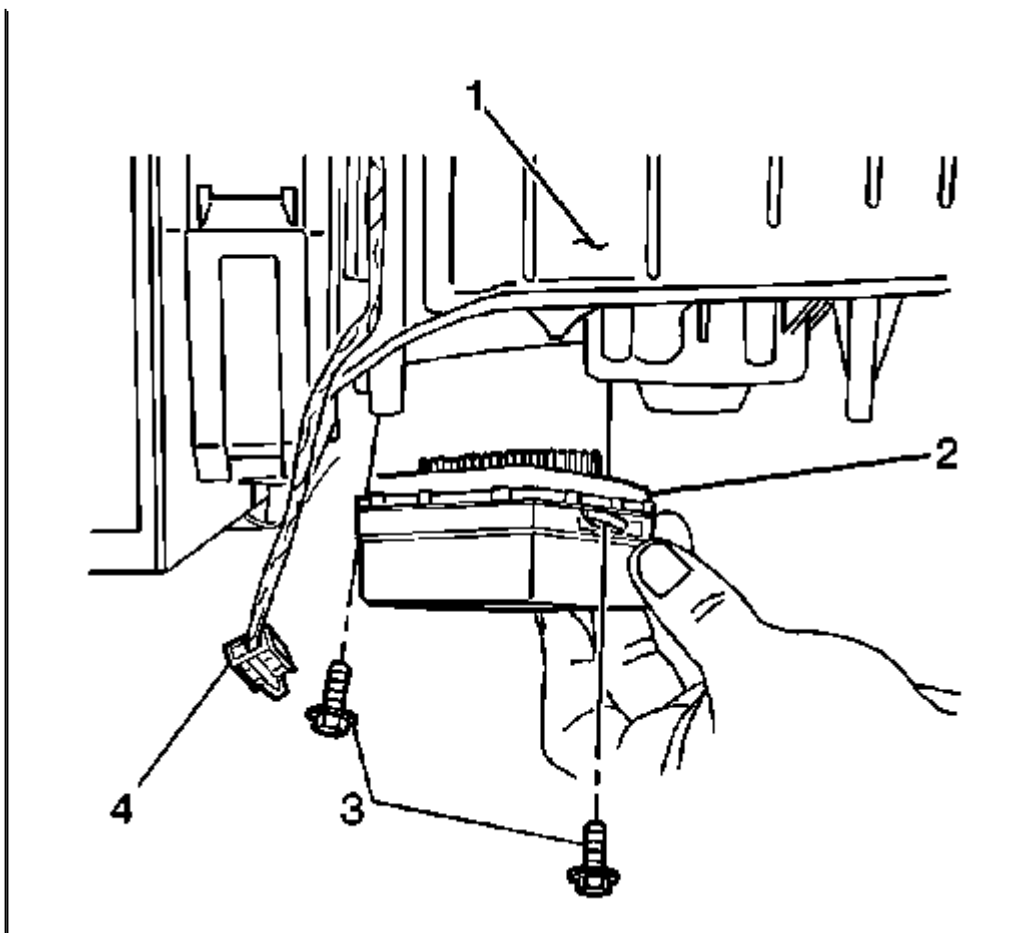
REMOVAL PROCEDURE



Zoom

Sized for Print

1. If equipped, remove the sound insulator panel.
2. Disconnect the electrical connector at the blower motor.



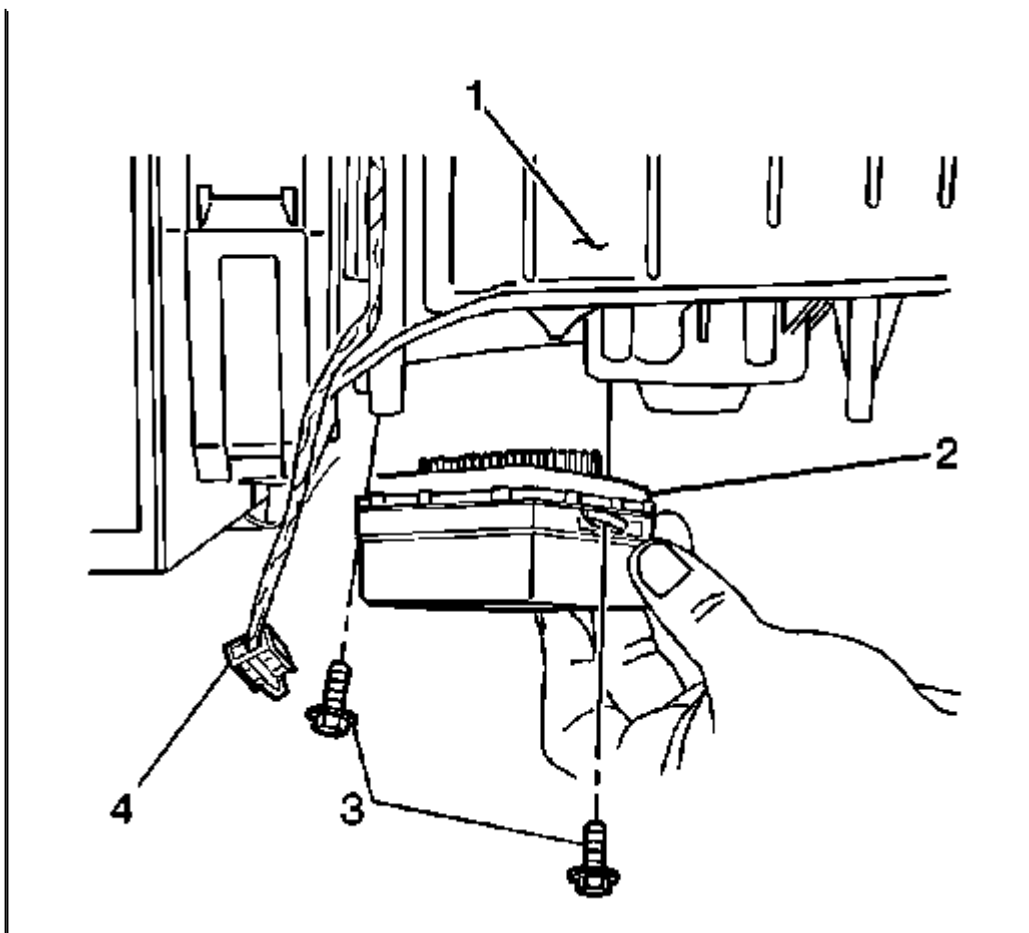
Zoom

Sized for Print

- 3. Disconnect the electrical connector (4) from the blower motor control processor (2).
- 4. Remove the blower motor control processor retaining screws (3) from the HVAC module (1).
- 5. Remove the blower motor control processor (2) from the HVAC module (1).

INSTALLATION PROCEDURE



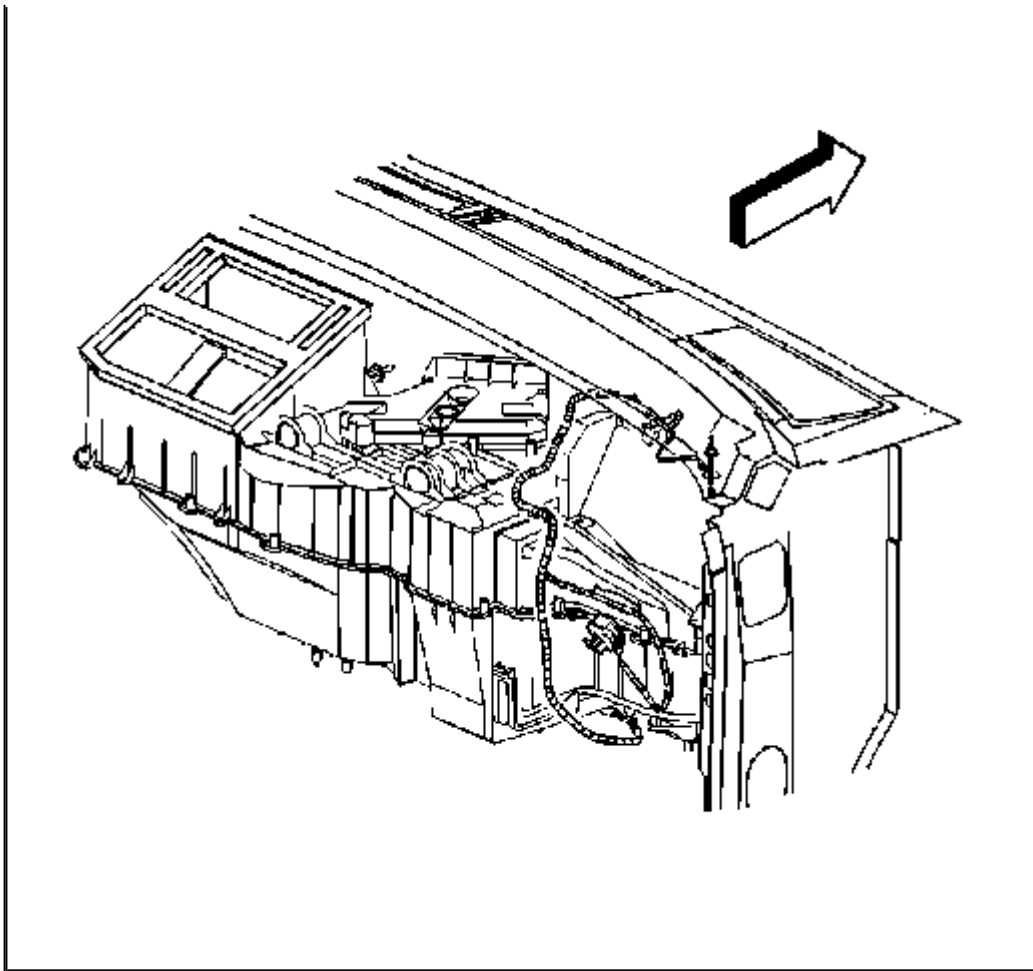


Zoom

Sized for Print

1. Install the blower motor control processor (2) to the HVAC module (1).
2. Install the blower motor control processor retaining screws. **NOTE:** Refer to Fastener Notice in Service Precautions. Tighten the screws to **1.6 N.m (14 lb in)**.
3. Connect the electrical connector (4) to the blower motor control processor (2).





Zoom

Sized for Print

4. Connect the electrical connector at the blower motor.
5. If equipped, install the sound insulator panel.

© 2010 ALLDATA LLC. All rights reserved.
[Terms of Use](#)