

2001 Saturn SW2 L4-1.9L DOHC VIN 7

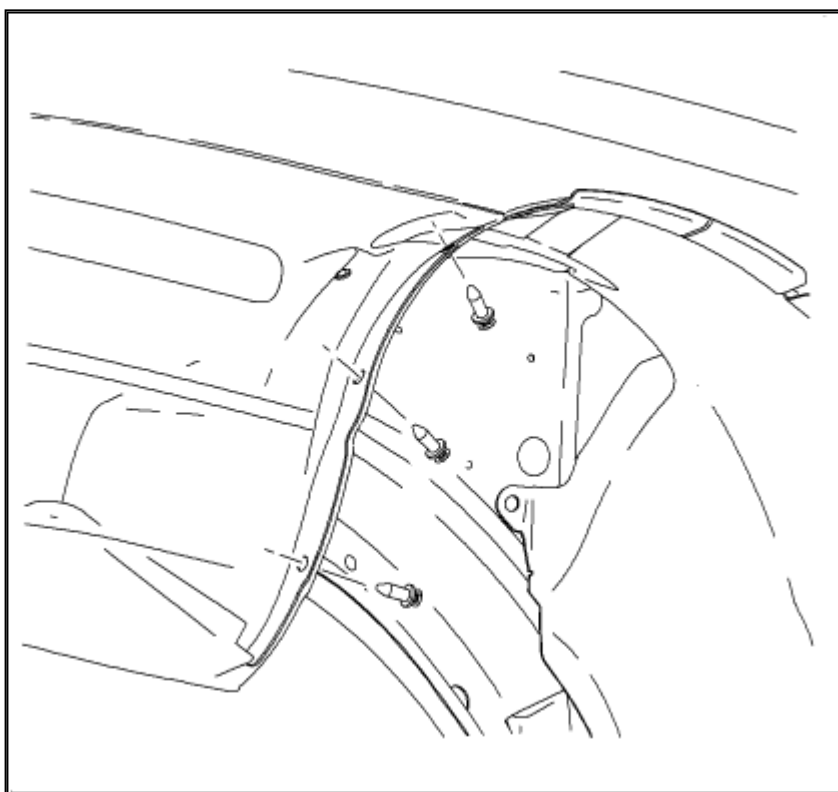
[Vehicle Level](#) → [Body and Frame](#) → [Bumper](#) → [Front Bumper Cover / Fascia](#) → [Service and Repair](#) → [Front Bumper Fascia Replacement \(Sedan/Wagon\)](#) ←

Front Bumper Fascia Replacement (Sedan/Wagon)

[Notes](#)

Front [Bumper](#) Fascia Replacement (Sedan/Wagon)

Removal Procedure

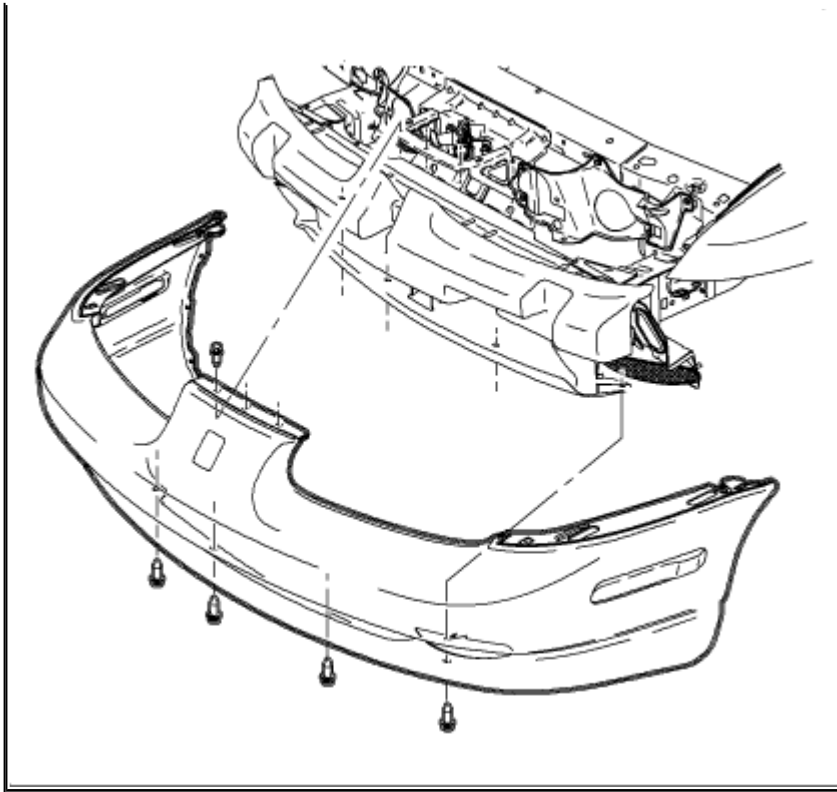


Zoom

Sized for Print

1. Remove the push retainers from the front of the front wheelhouse panel.

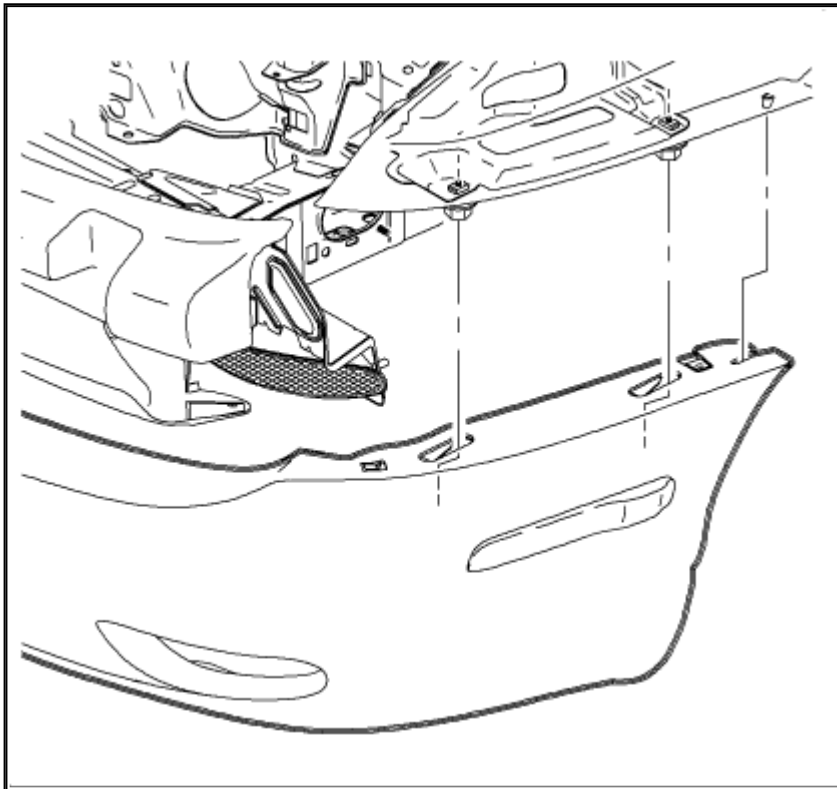




Zoom

Sized for Print

2. Remove the lower front and the middle front plastic retainers.
3. Remove the upper front plastic retainers.

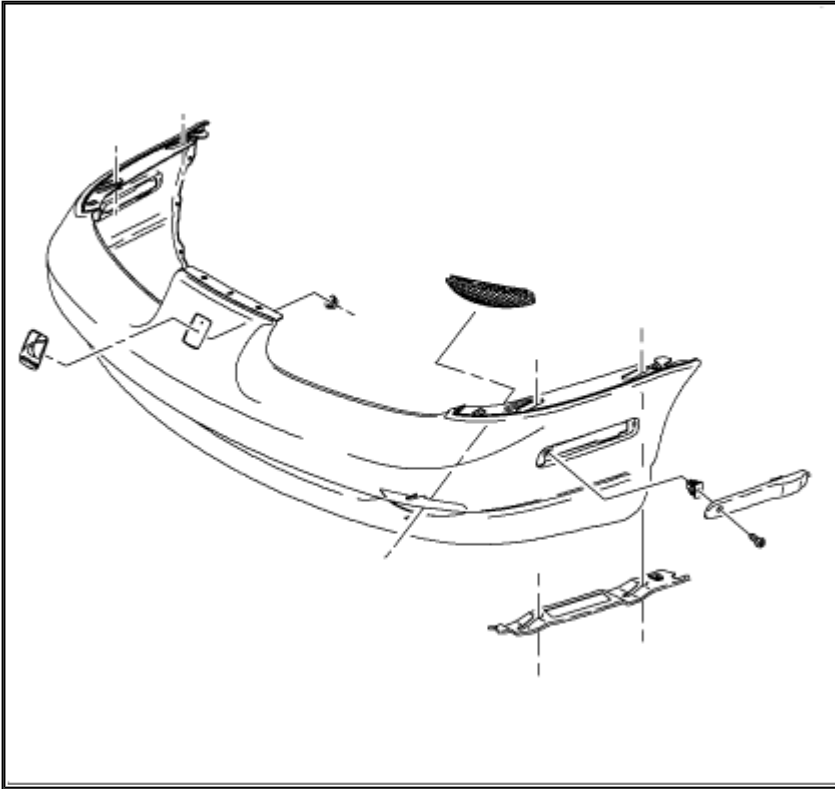


Zoom

Sized for Print

4. Slide the front fascia forward.
5. Disconnect the side marker lamp sockets from the lamp housings.
6. Remove the front fascia.

Installation Procedure

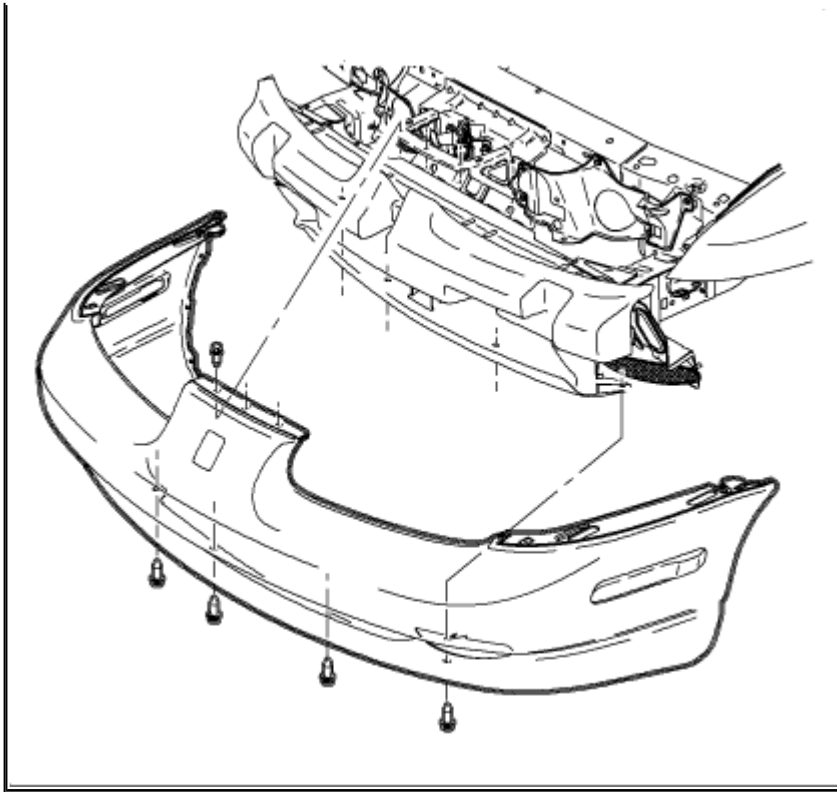


Zoom

Sized for Print

1. If installing a new fascia, transfer the side marker lamps, fascia brackets, fog-lamp grilles (if SL2 or SW2 is not equipped with fog lamps) and the emblem.

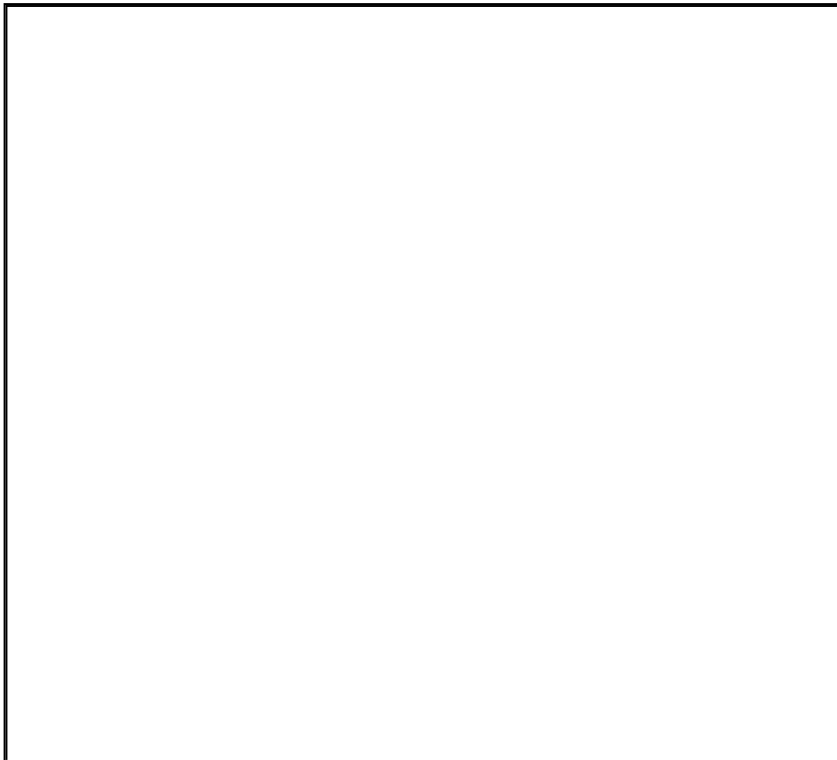


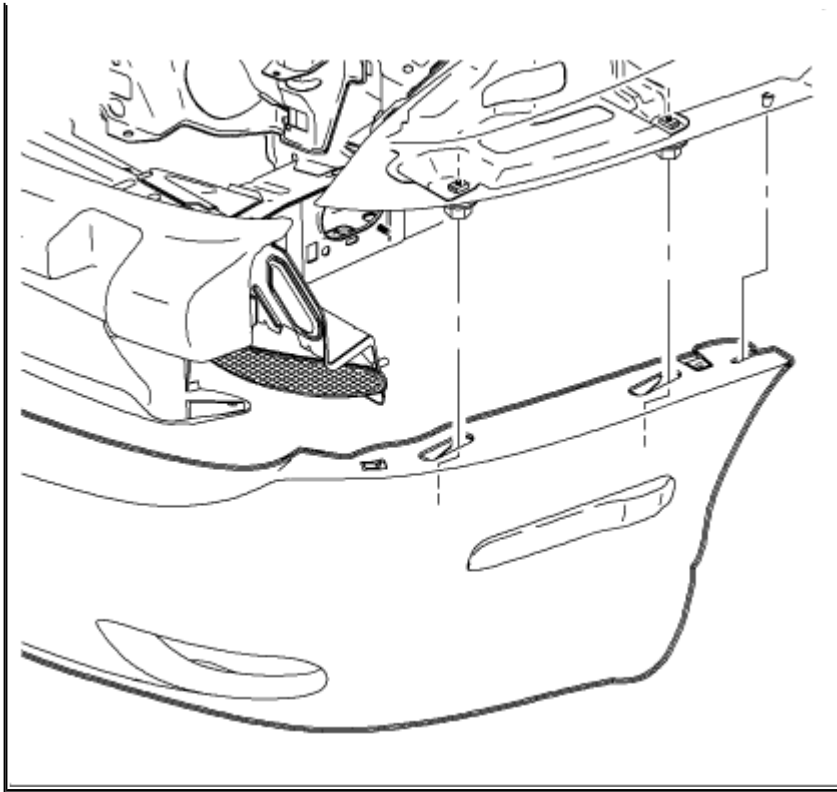


Zoom

Sized for Print

2. Install the front fascia assembly to the vehicle by positioning the fascia over the front bumper fascia energy absorber.
3. Install the side marker lamp sockets to the lamp housings.



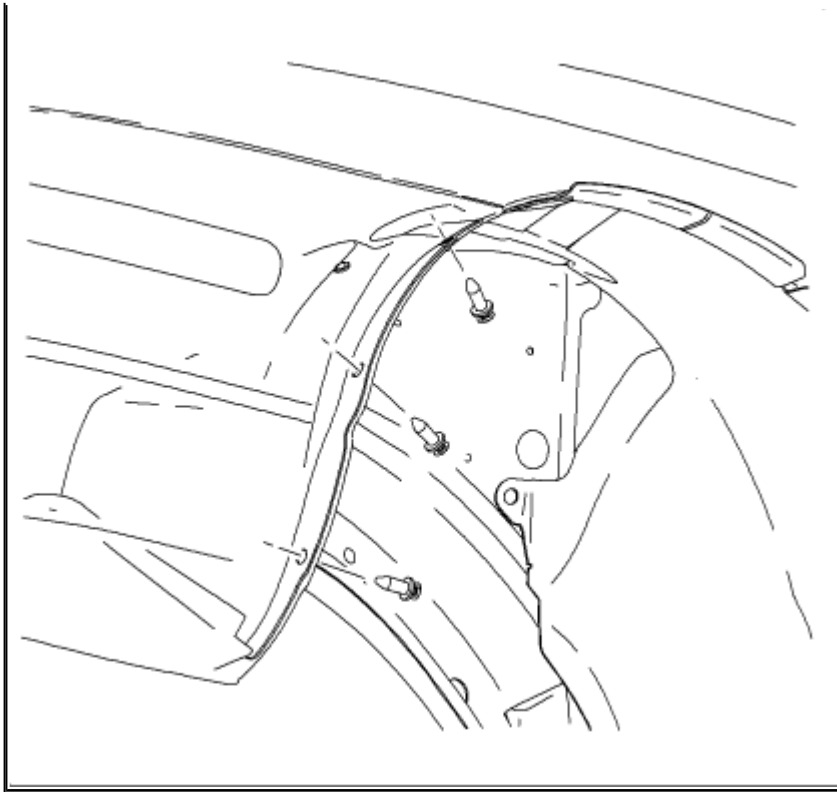


Zoom

Sized for Print

4. Install the fascia ends over the shoulder bolts extending down from the front [fender](#) upper support bracket assembly. The holes in the fascia are slotted to allow for installation without removing the shoulder bolts. The front fascia lower support plate should be on the lower side of the fascia.





Zoom

Sized for Print

5. Install the retainers, the front fascia to the front wheelhouse panel.
6. Install the upper front plastic retainers.
7. Install the lower front and the middle front plastic retainers.