

**2001 Chevrolet Camaro V6-3.8L VIN K**

Vehicle Level → Engine, Cooling and Exhaust → Cooling System → Coolant Line/Hose → Service and Repair → **Thermostat Bypass Pipes Replacement** ←

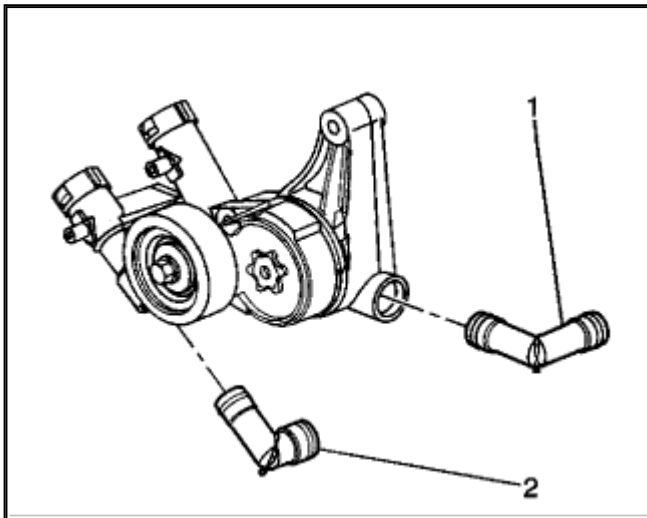
### Thermostat Bypass Pipes Replacement

[Notes](#)

#### Thermostat Bypass Pipes Replacement

#### Removal Procedure

1. Remove the [drive belt tensioner](#).

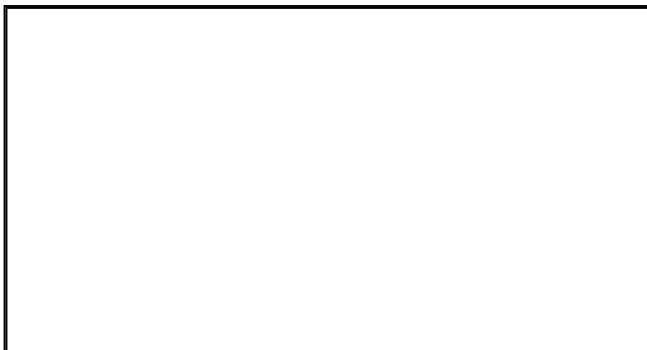


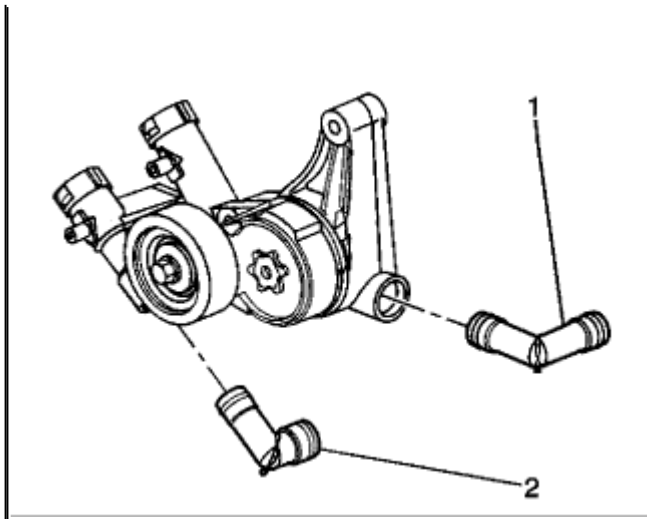
Zoom

Sized for Print

2. Remove the [thermostat](#) bypass upper (1) and/or lower (2) pipe.

#### Installation Procedure





Zoom

Sized for Print

1. Install the [thermostat](#) bypass upper (1) and/or lower (2) pipe.
2. Install the [drive belt tensioner](#).

© 2010 ALLDATA LLC. All rights reserved.  
[Terms of Use](#)