

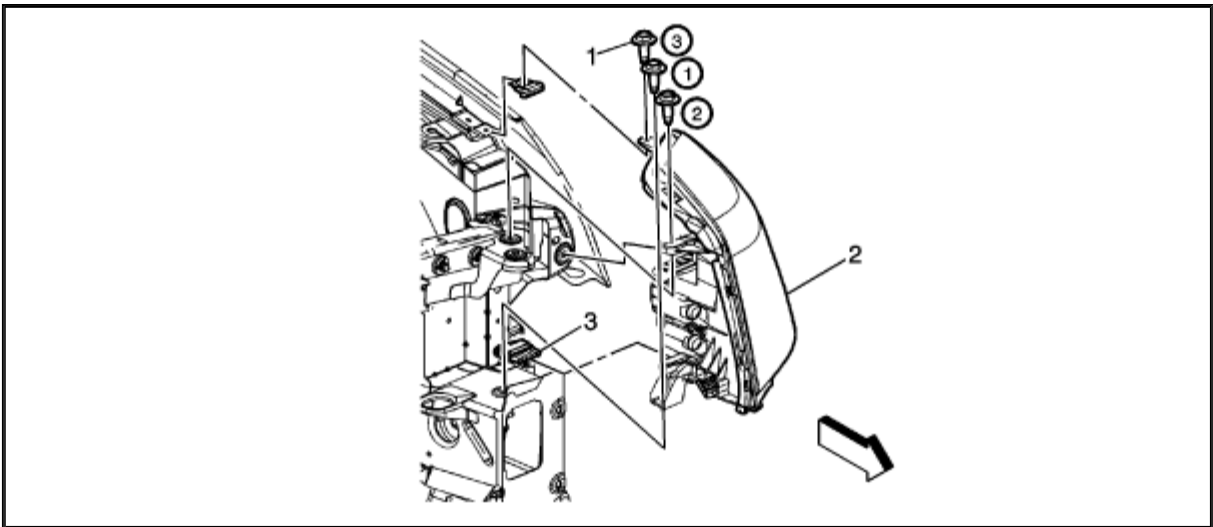
2008 Saturn Truck Outlook FWD V6-3.6L

[Vehicle Level](#) → [Lighting and Horns](#) → [Headlamp](#) → [Service and Repair](#) → [Removal and Replacement](#)
→ [Headlamp Replacement \(OUTLOOK\)](#) ←

Headlamp Replacement (OUTLOOK)

[Notes](#)

Headlamp Replacement (OUTLOOK)



Zoom

Sized for Print



Callout	Component Name
Preliminary Procedure	
Remove the front bumper fascia.	
1	Headlamp Assembly Bolt (Qty: 3) Notice: Refer to Fastener Notice . Tip: Tighten the fasteners in sequence as shown. 6 N.m (53 lb in)
2	Headlamp Assembly Nut 6 N.m (53 lb in)
3	Headlamp Assembly Procedure Pull outward on the housing in order to disconnect the electrical connection at the lower rear edge of the lamp.
4	Electrical Harness Connector Procedure Disconnect the electrical connector from the headlamp assembly.

Zoom

Sized for Print