

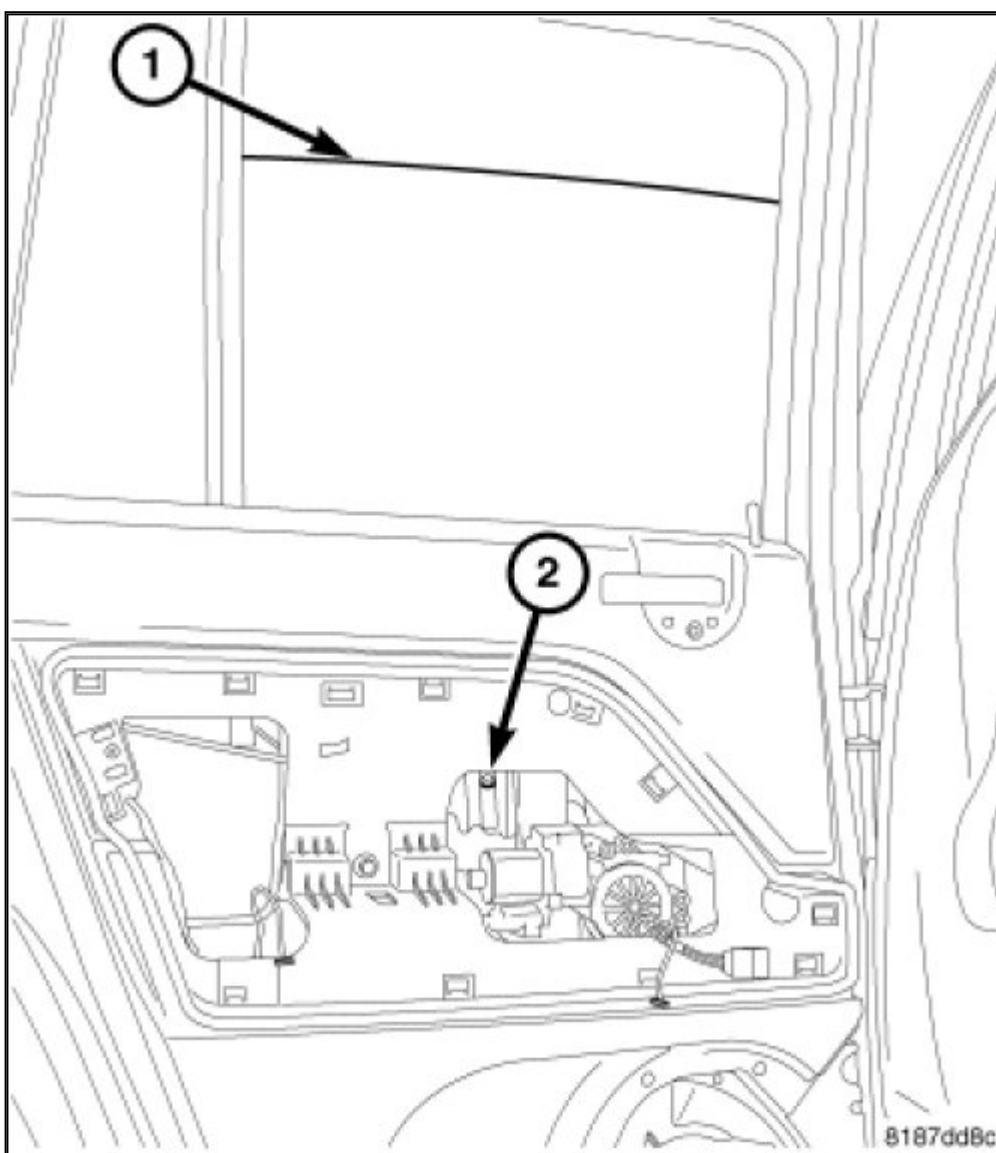
2008 Jeep Truck Compass 2WD L4-2.4L

[Vehicle Level](#) → [Body and Frame](#) → [Doors, Hood and Trunk](#) → [Rear Door Panel](#) → [Service and Repair](#)
→ [Rear Door Module Trim - Removal](#) ←

Rear Door Module Trim - Removal

[Notes](#)

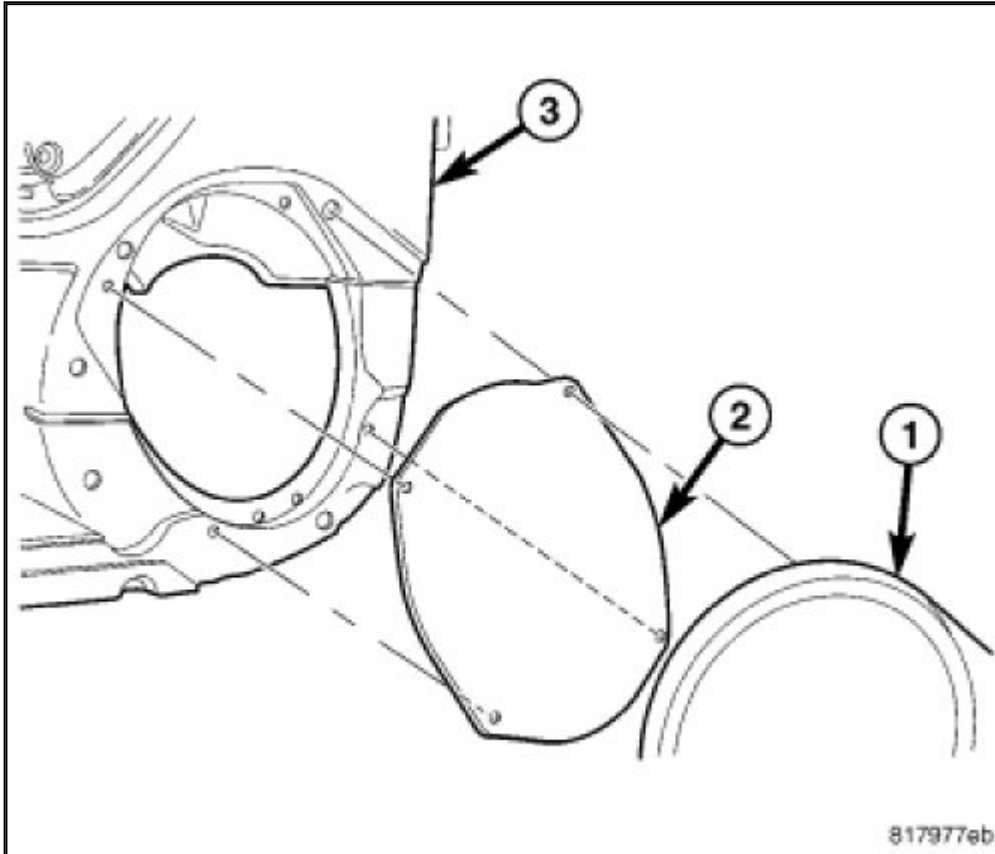
REMOVAL



Zoom

Sized for Print

1. Raise the door glass (1) into the position shown and disconnect the glass from the regulator (2), [See: Rear Door Window Glass\Service and Repair\Rear Door Glass - Removal.](#)
2. Tape the glass (1) into the full up position.

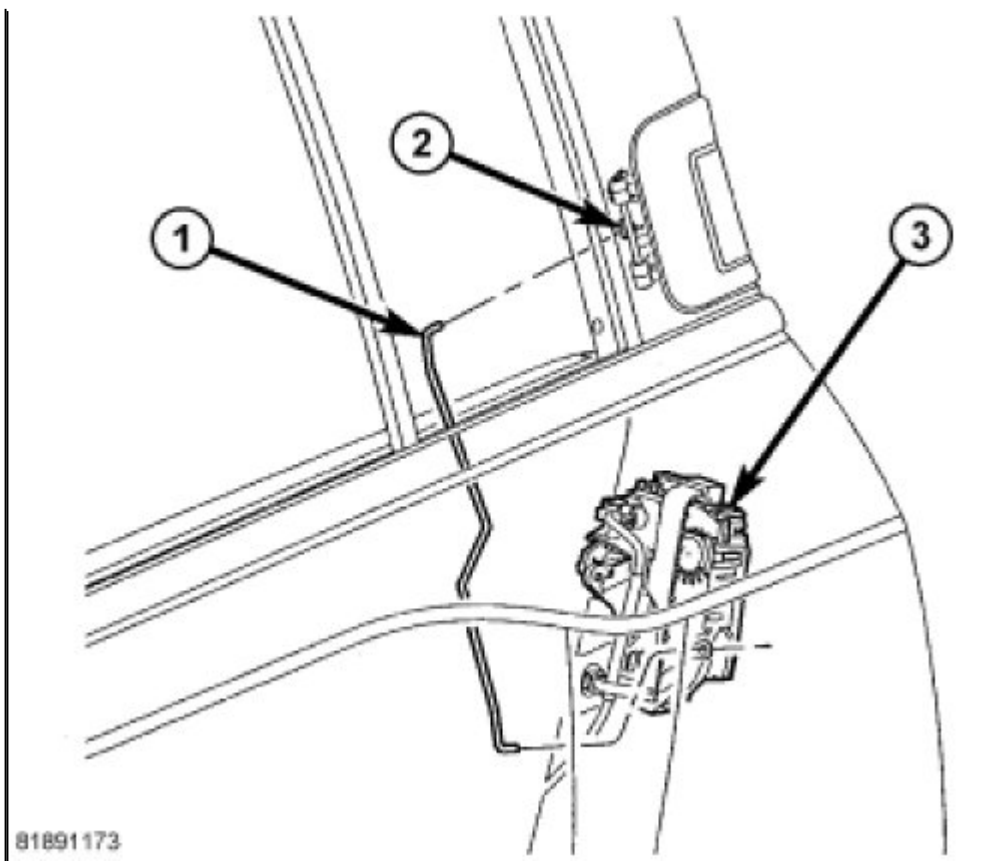


Zoom

Sized for Print

3. Remove the speaker (2), [See: Accessories and Optional Equipment\Speaker\Service and Repair\Speaker - Removal.](#)



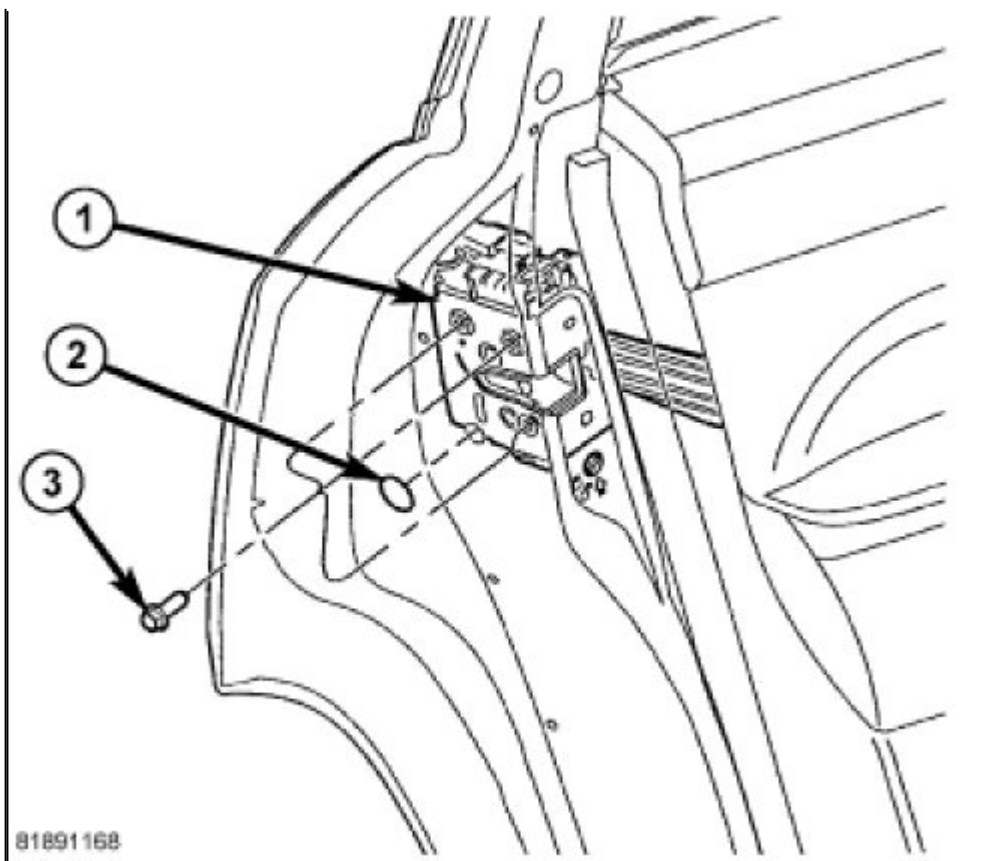


Zoom

Sized for Print

4. Disconnect the exterior handle rod (1) from the latch (3).





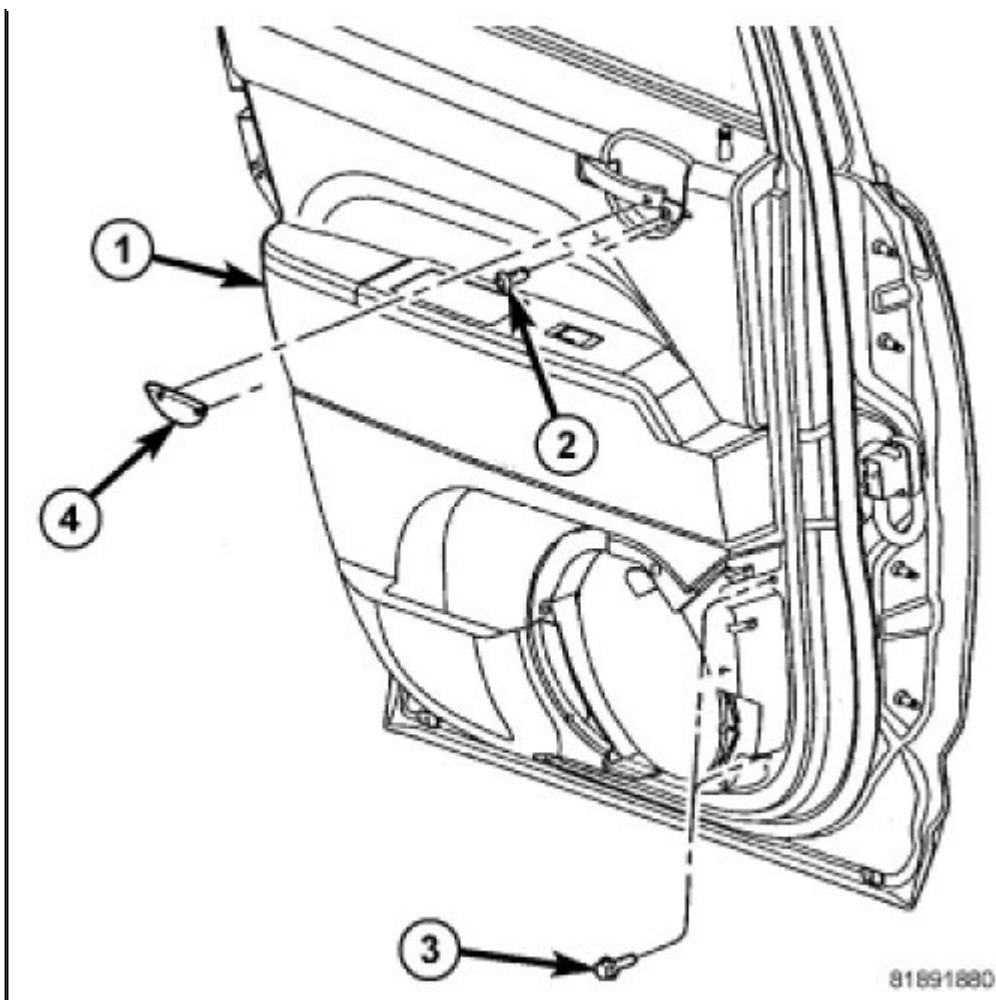
81891168

Zoom

Sized for Print

5. Remove the latch screws (3).



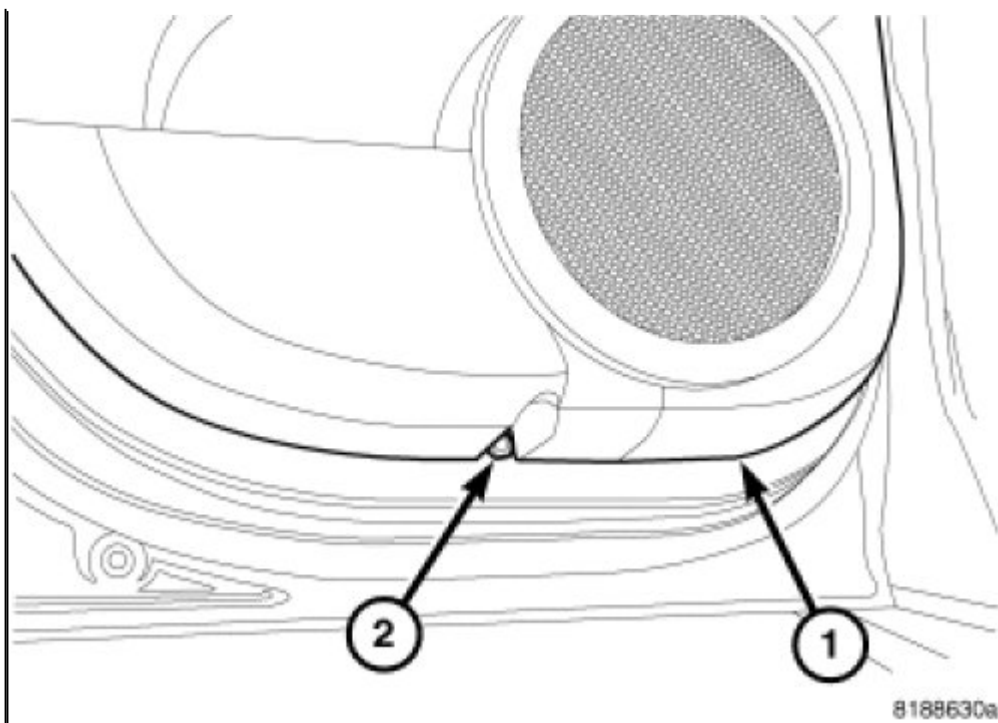


Zoom

Sized for Print

6. Remove the trim screws (3) from the speaker opening.
7. Remove the trim cap (4) and the screw (2) at the inside handle.

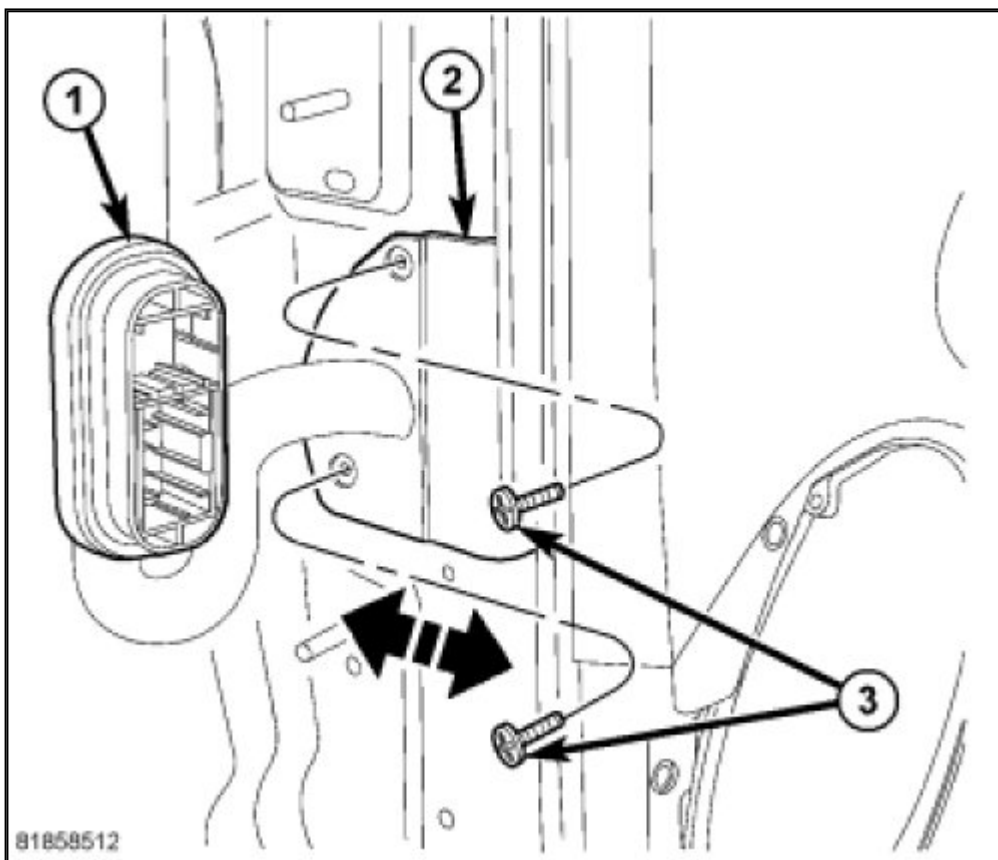




Zoom

Sized for Print

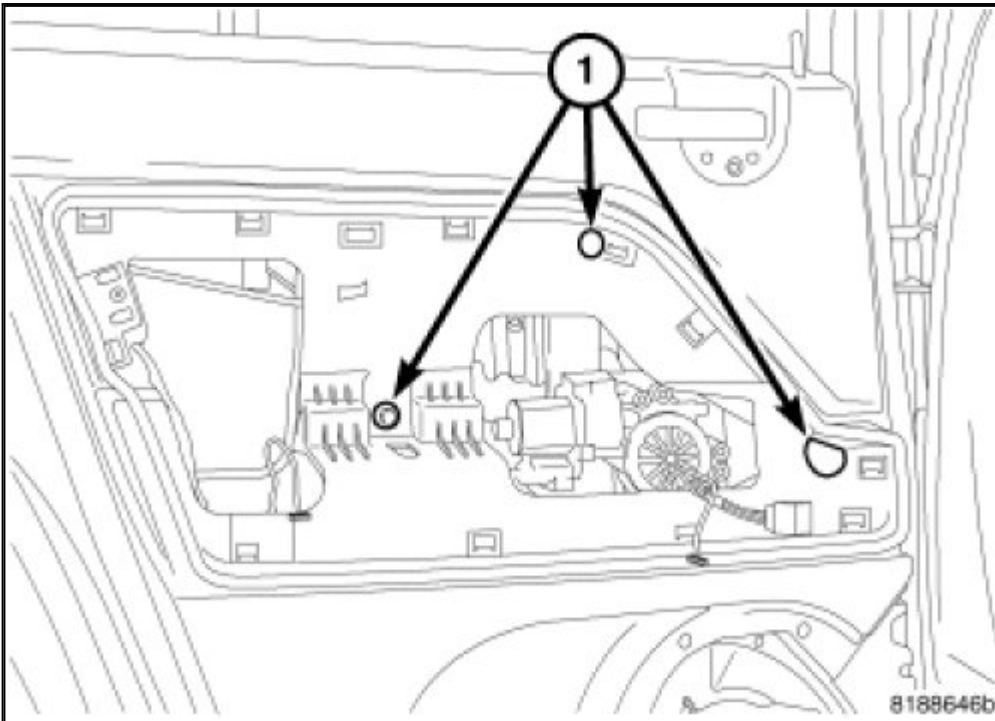
8. Loosen the lower screw (2).



Zoom

Sized for Print

9. Disconnect the main harness connector (1).
10. Remove the screws (3) from the door [frame](#).

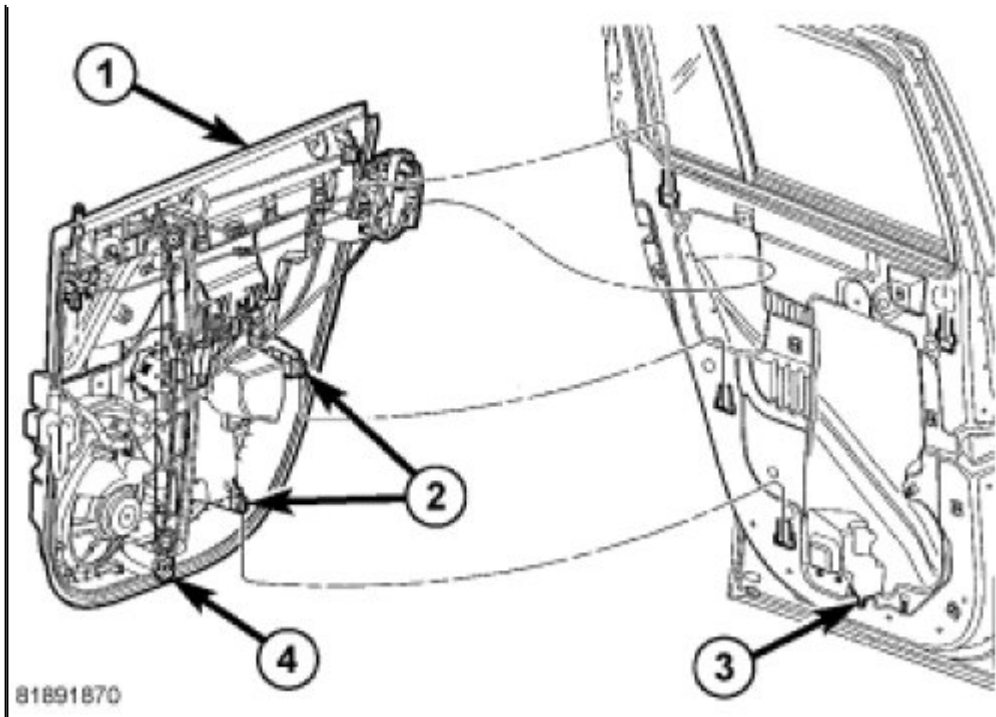


Zoom

Sized for Print

11. Remove the three upper fasteners (1).



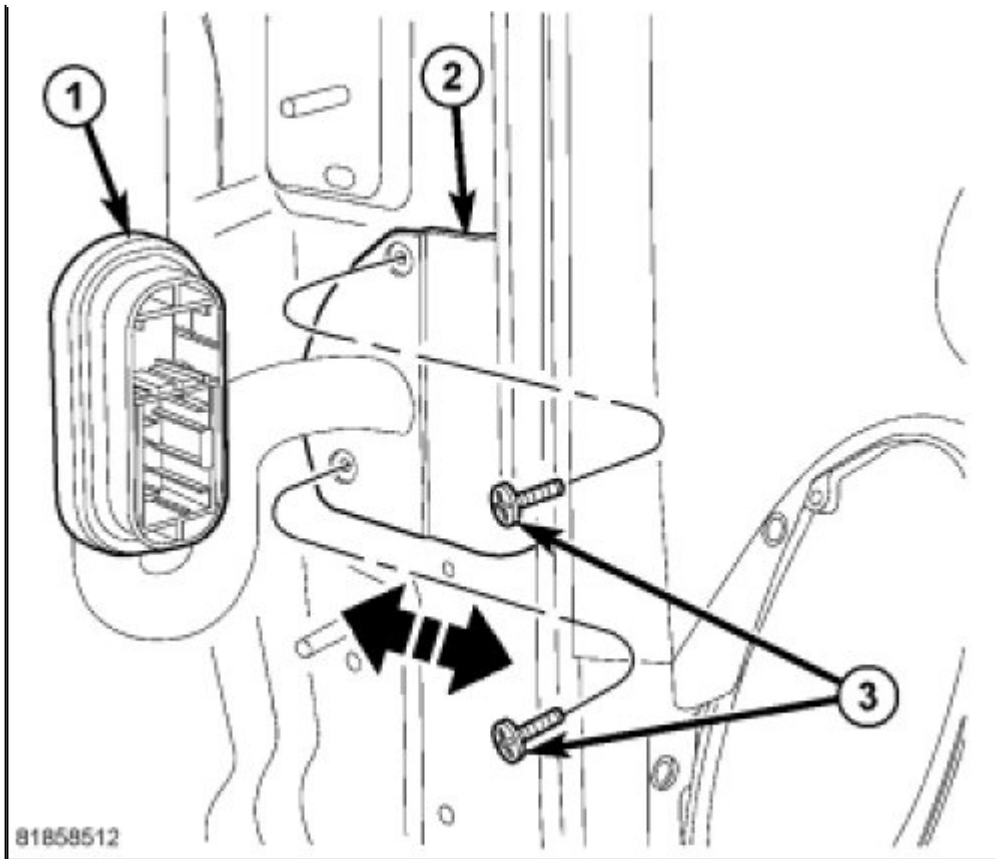


Zoom

Sized for Print

12. Lift the module (1) up off of the four trim hooks (2) and lower regulator screw (4).
13. Pull the front of the trim module (1) out from the door and forward to remove the latch.





Zoom

Sized for Print

14. Separate the harness (2) from the door.