

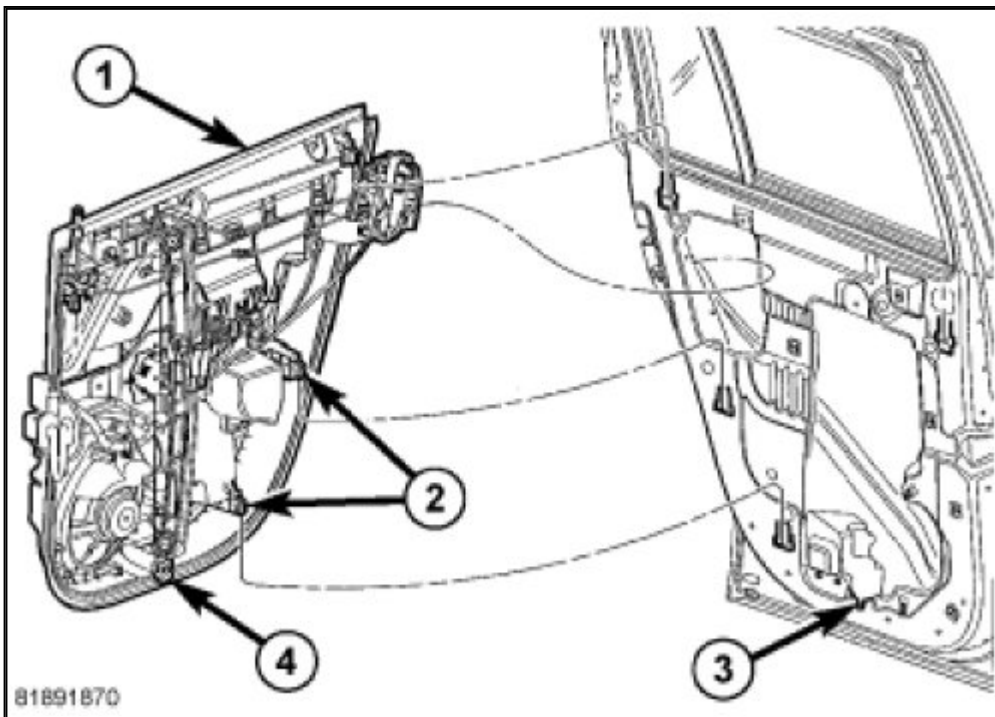
2008 Jeep Truck Compass 2WD L4-2.4L

[Vehicle Level](#) → [Windows and Glass](#) → [Rear Door Window Glass](#) → [Service and Repair](#) → [Rear Door Glass - Removal](#) ←

Rear Door Glass - Removal

[Notes](#)

REMOVAL

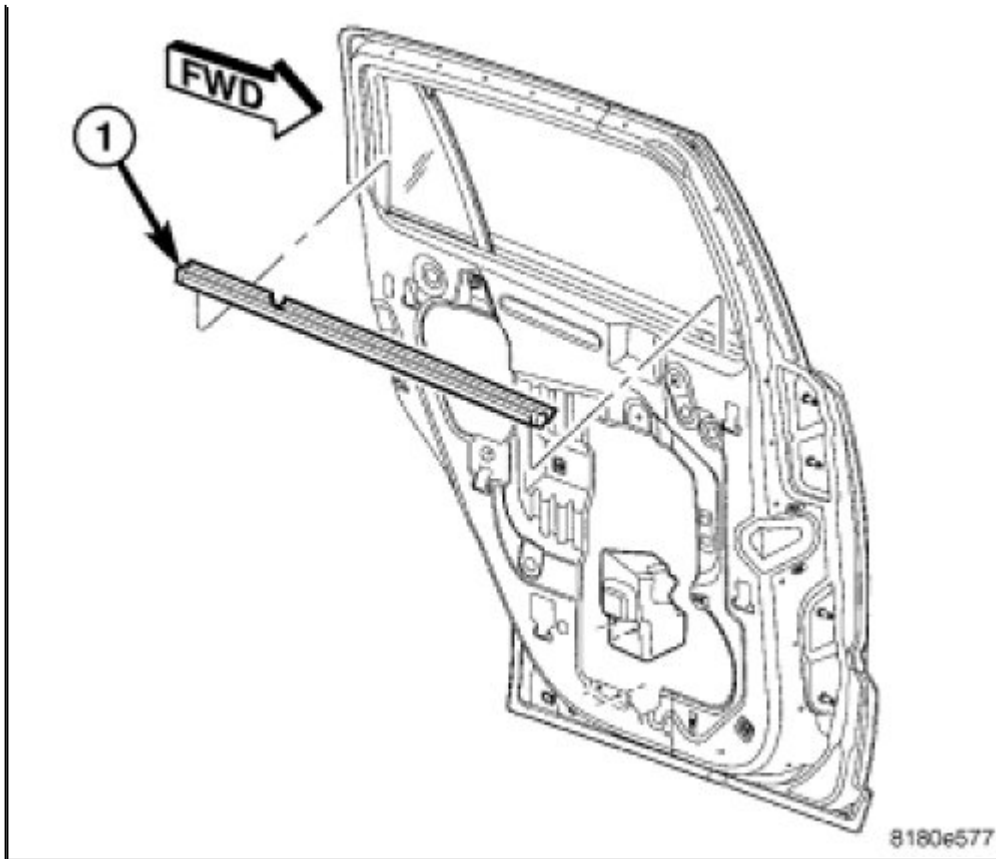


Zoom

Sized for Print

1. Remove the door trim module (1), [See: Body and Frame\Doors, Hood and Trunk\Rear Door Panel\Service and Repair\Rear Door Module Trim - Removal.](#)

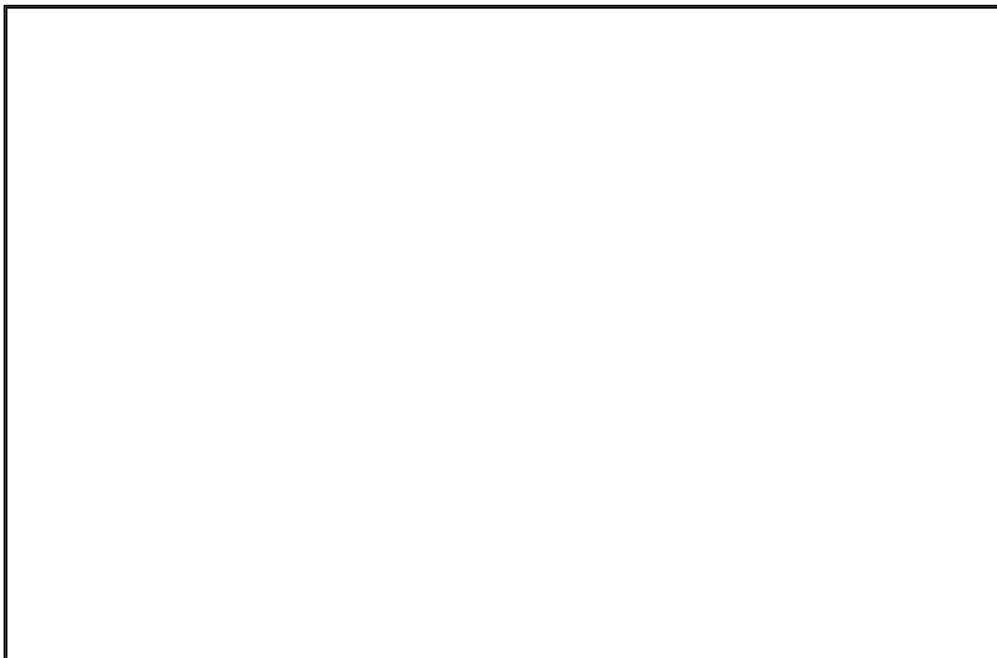


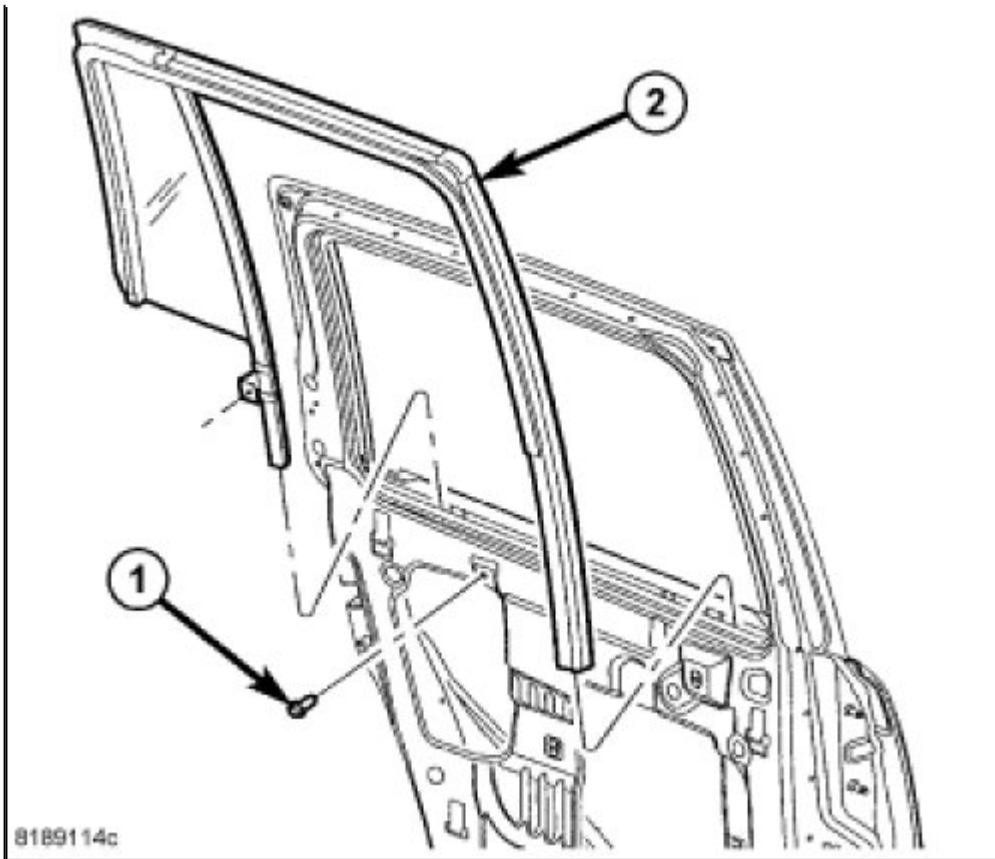


Zoom

Sized for Print

2. Remove the two screws and remove the foam block.
3. Remove the inner belt [weatherstrip](#) (1) from the door using the Remover, Outer Door Belt Molding 9093 special tool, if necessary.



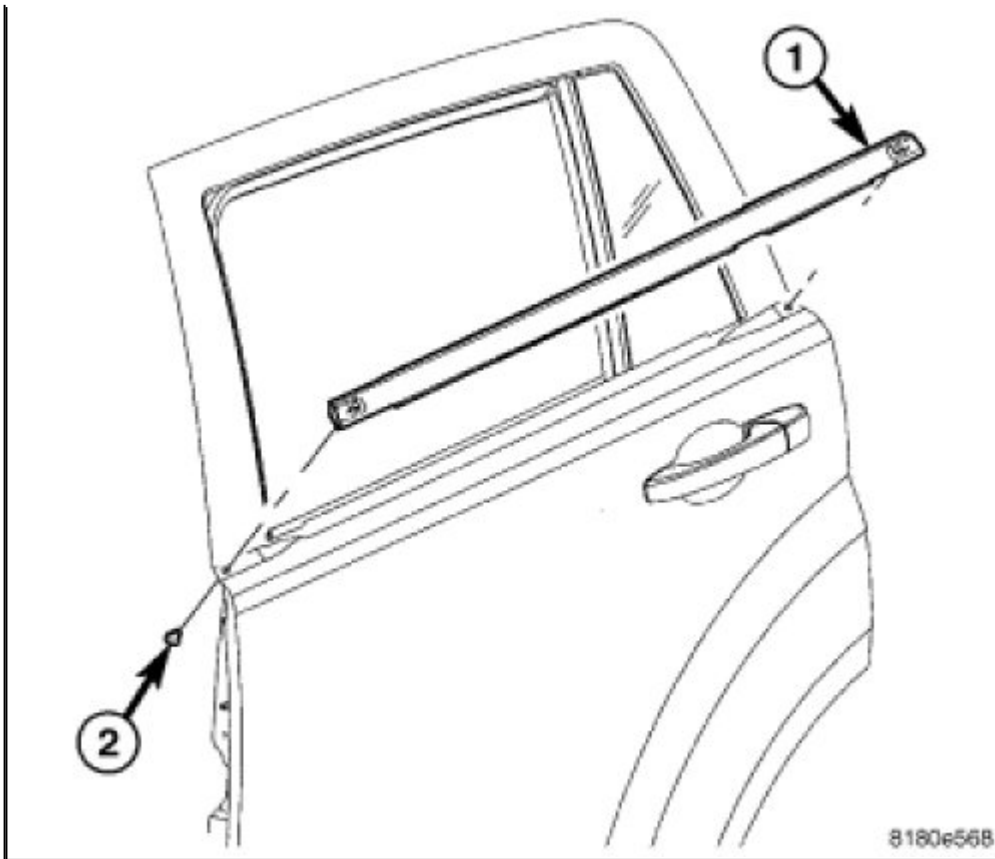


Zoom

Sized for Print

4. Remove the rear door glass foam blocker and slide the glass down and out of the glass track (2).
5. Remove the screws (1) and remove the glass run assembly (2) from the door.

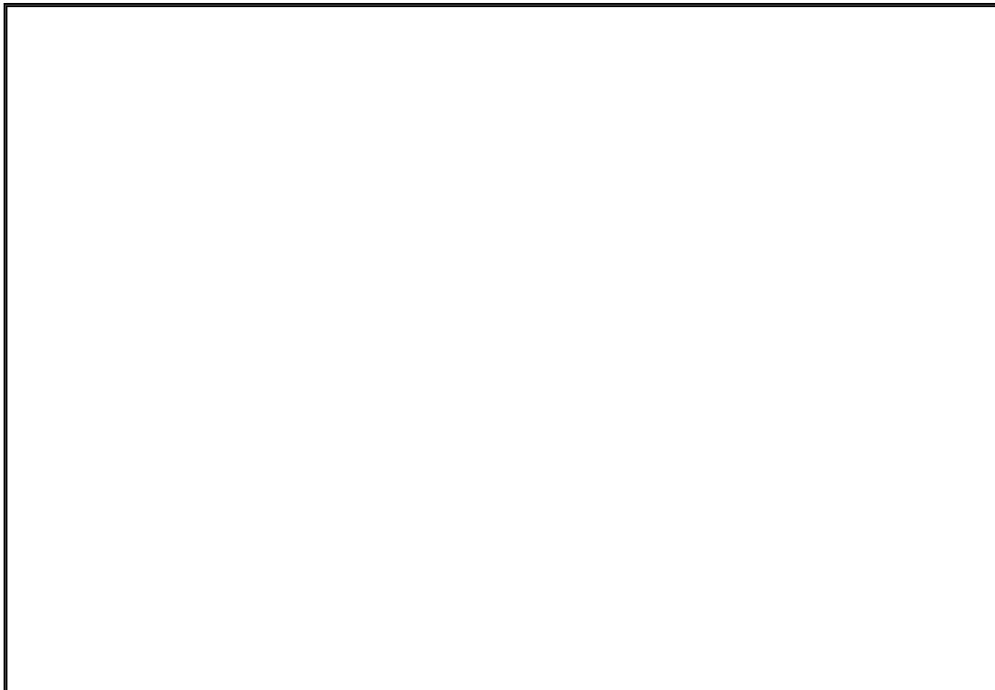


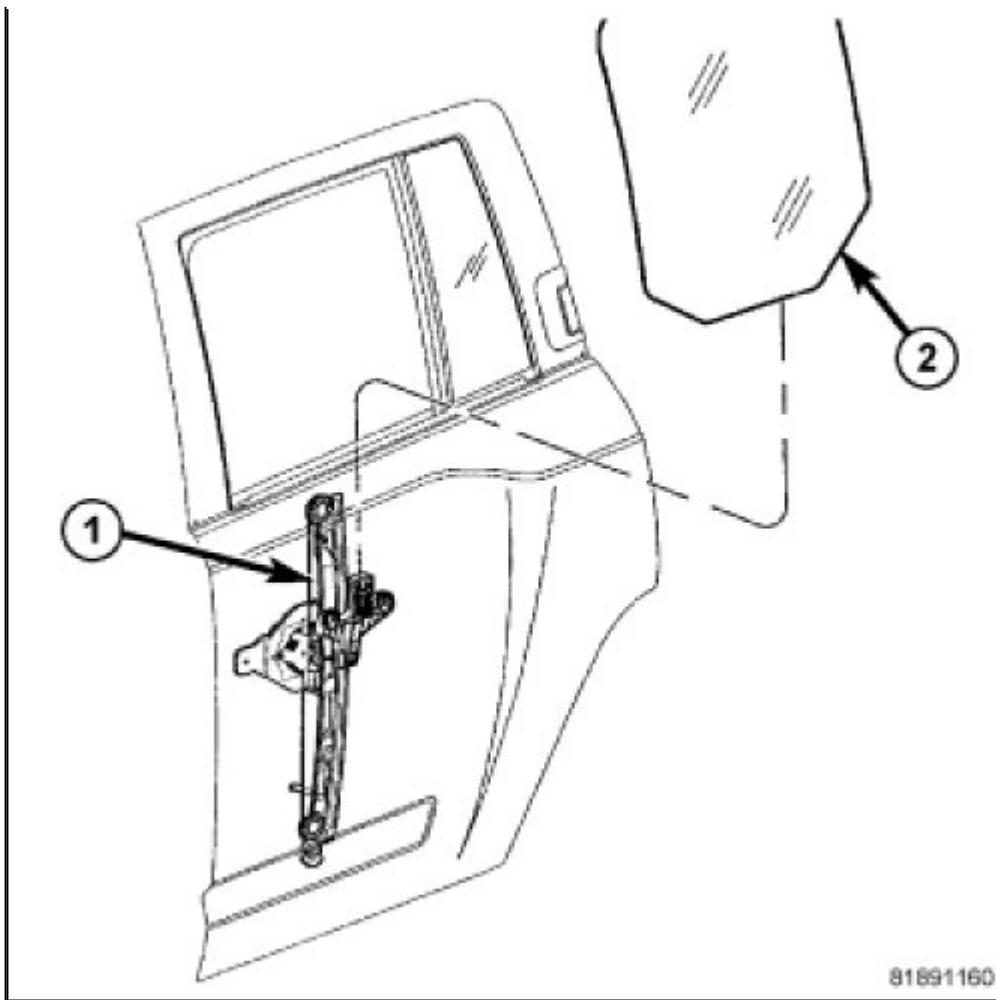


Zoom

Sized for Print

6. Remove the screws (2) and using the Remover, Outer Door Belt Molding 9093 special tool, if necessary, remove the outer belt [weatherstrip](#) (1).





Zoom

Sized for Print

7. Remove the glass (2) from the door.