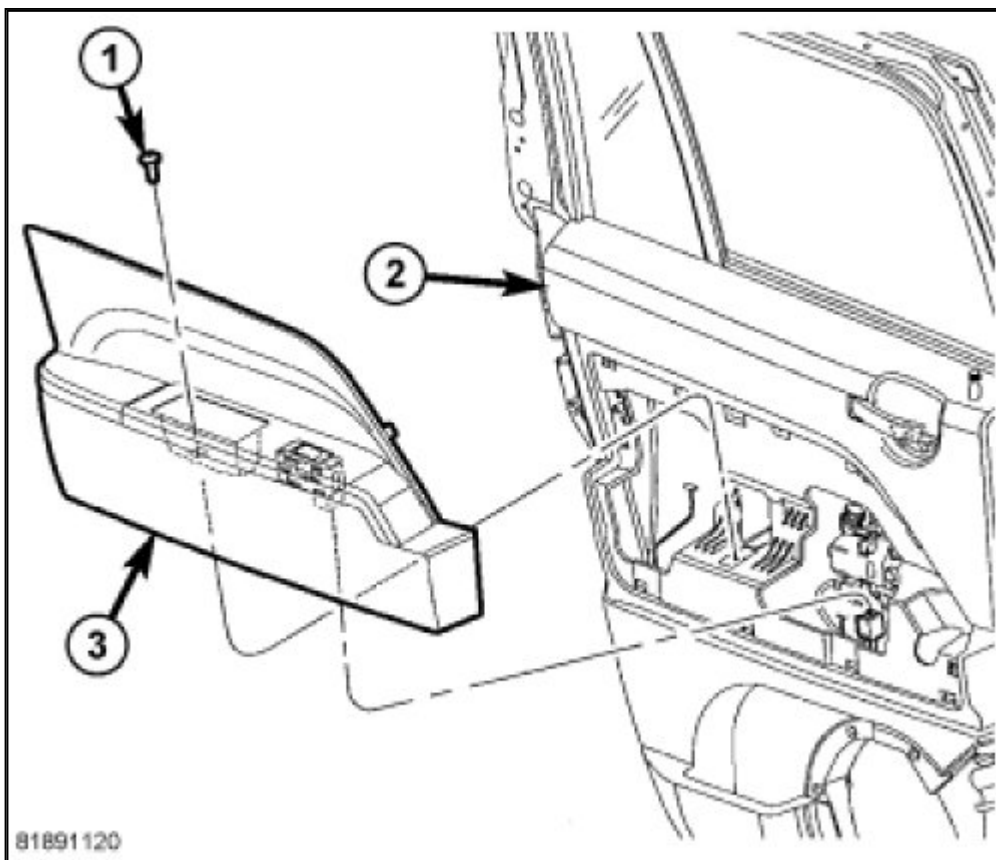
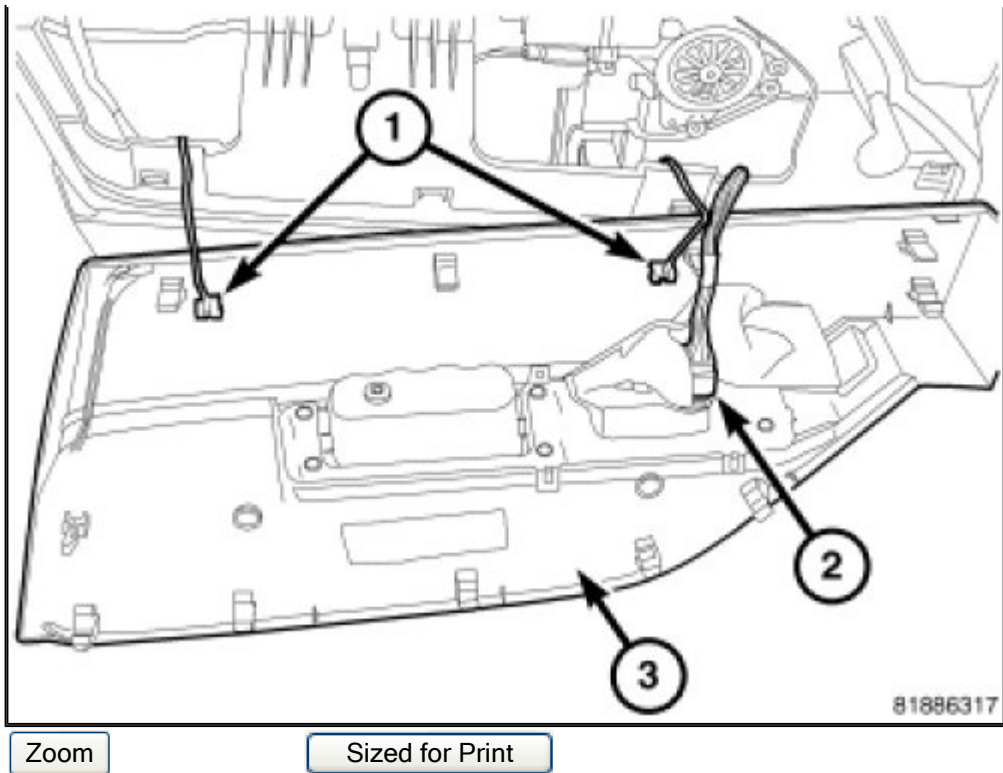


**2008 Jeep Truck Compass 2WD L4-2.4L**

[Vehicle Level](#) → [Body and Frame](#) → [Doors, Hood and Trunk](#) → [Rear Door Panel](#) → [Service and Repair](#)
→ [Rear Door Trim Panel Bolster - Removal](#) ←

Rear Door Trim Panel Bolster - Removal[Notes](#)**REMOVAL**[Zoom](#)[Sized for Print](#)

1. Disconnect and isolate battery negative cable.
2. Remove the screw (1) from the pull handle.
3. Using a trim stick C-4755 or equivalent, separate the bolster (3) from the door module (2).



4. Disconnect the electrical connectors (2), if equipped.
5. Disconnect the tethers (1) and remove the bolster (3).