

2005 Hyundai Truck Tucson V6-2.7L

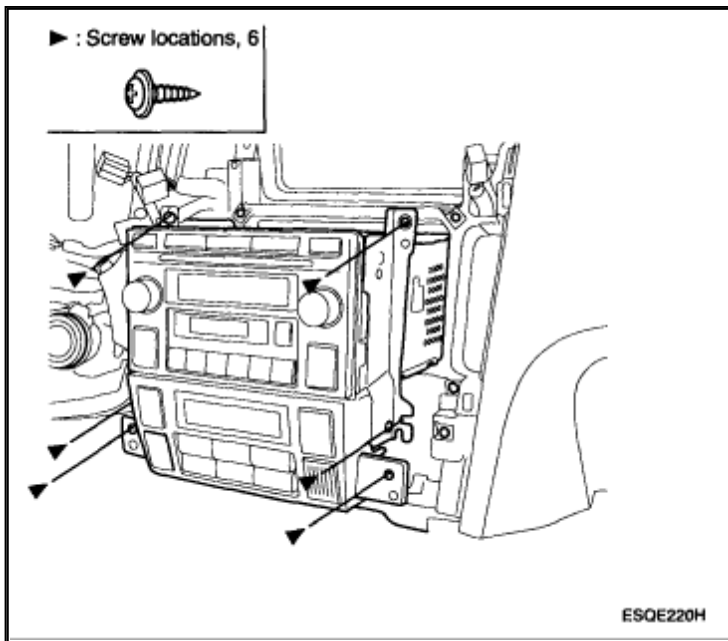
[Vehicle Level](#) → [Accessories and Optional Equipment](#) → [Radio, Stereo, and Compact Disc](#) → [Service and Repair](#) → [Removal and Replacement](#) ←

Removal and Replacement

[Notes](#)

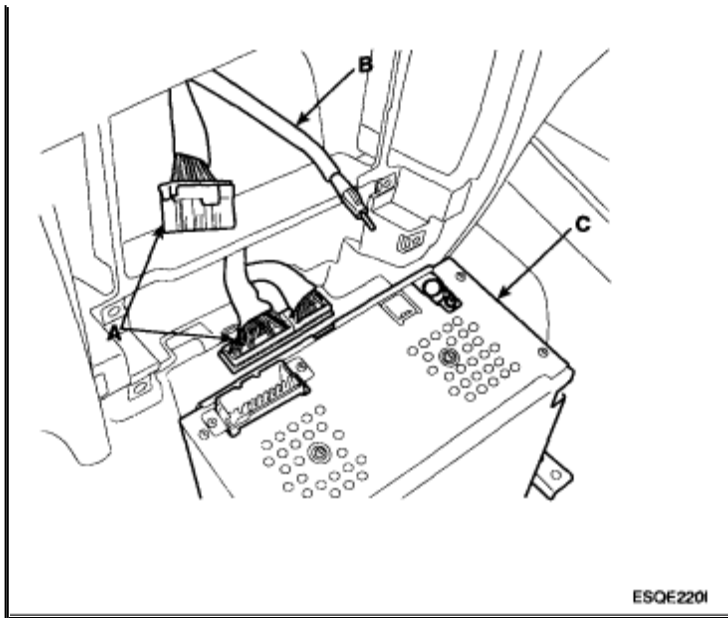
AUDIO ASSEMBLY REPLACEMENT

1. Remove the center facia panel.
2. Loosen the screws.



3. Disconnect the audio connector (A) and [antenna cable](#) (B), then remove the audio assembly (C).





Zoom

Sized for Print

4. Installation is the reverse of removal. **NOTE:** Make sure the connector is plugged in properly.