

[Home](#) | [Account](#) | [Contact ALLDATA](#) | [Log Out](#) | [Help](#)

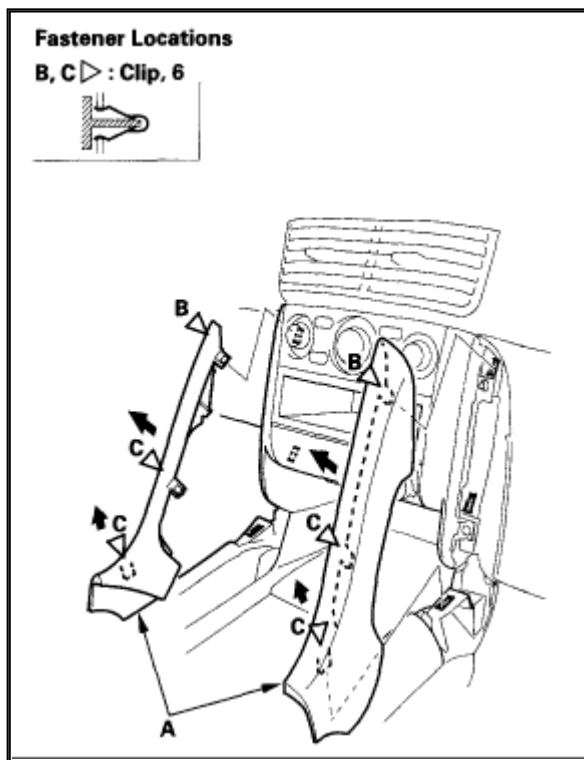
PAUL REDEHOFT

[Select Vehicle](#) | [New TSBs](#) | [Technician's Reference](#)

Component Search:

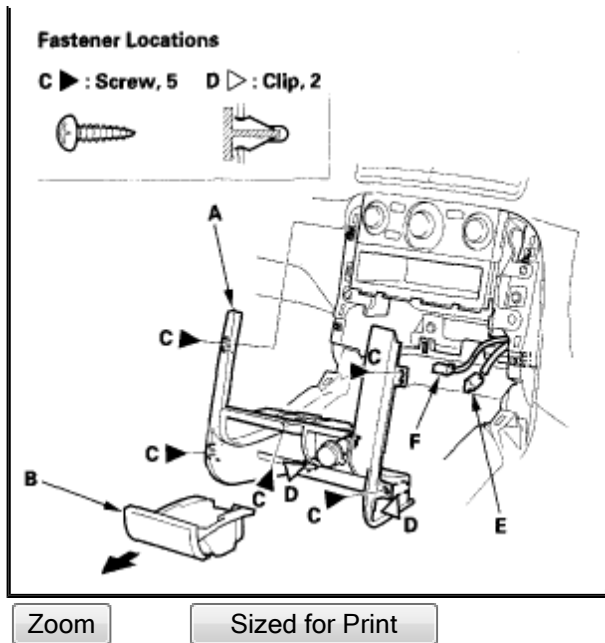
 [Conversion Calculator](#)**2008 Honda Truck Pilot 2WD V6-3.5L**[Vehicle Level](#) → [Body and Frame](#) → [Interior Moulding / Trim](#) → [Console](#) → [Service and Repair](#) ←**Service and Repair**[Notes](#)**Center Console Removal/Installation****NOTE:**

- When prying with a flat-tip screwdriver, wrap it with protective tape, and apply protective tape around the related parts to prevent damage.
- Take care not to scratch the front seat, dashboard, and related parts.

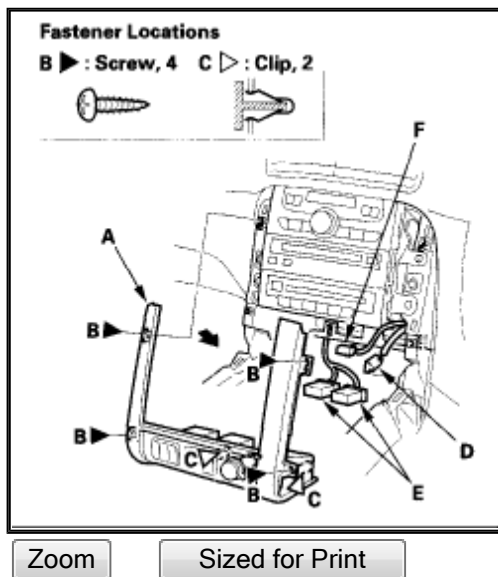


1. Starting at the top, gently pull the center front covers (A) out to detach the clips (B), then pull the cover out to detach the remaining clips (C), and remove the covers from both sides.



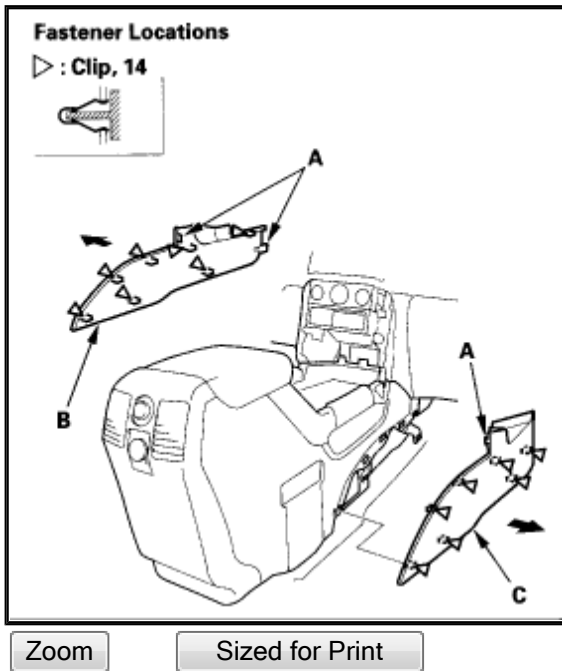


2. Remove the center lower cover (A).
1. Remove the coin pocket (B).
2. Remove the screws (C).
3. Pull the cover out to detach the clips (D).
4. Disconnect the accessory power socket connector (E) and console light connector (F).

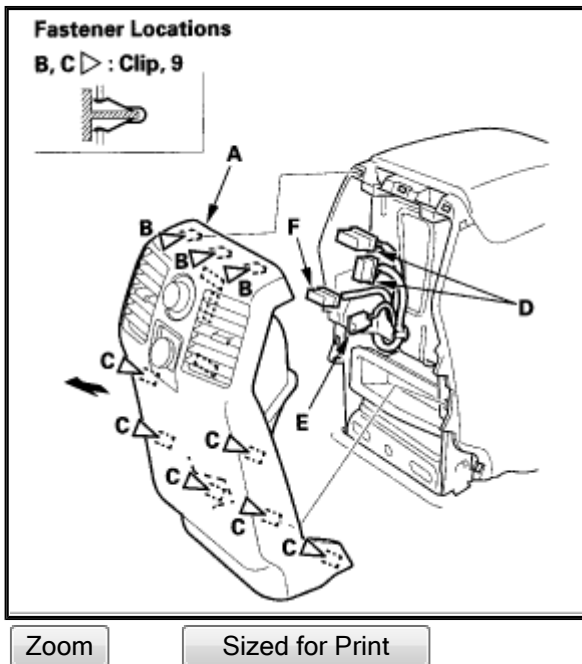


3. For some models: Remove the center lower cover (A) with the [seat heater switches](#).
1. Remove the screws (B).
2. Pull the cover out to detach the clips (C).

3. Disconnect the accessory power socket connector (D), [seat heater switch](#) connectors (E), and console light connector (F).

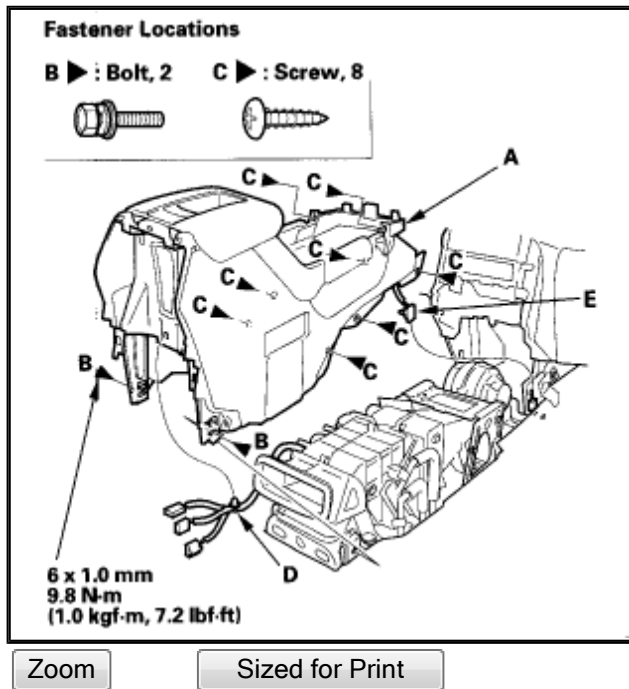


4. Detach the clips and release the hooks (A), then remove the driver's console side trim (B) and passenger's console side trim (C).



5. Starting at the top, gently pull out the console rear trim (A) to detach the clips (B), then pull out the trim to detach the remaining clips (C), and disconnect the rear heater-A/C passenger's control panel-unit connectors (D) and accessory power socket connector (E). If equipped with rear entertainment

system, disconnect the rear entertainment system jack connector (F).



6. Remove the center console (A).
 1. From both sides, remove the bolts (B) and screws (C).
 2. Detach the harness clip (D).
 3. Disconnect the accessory power socket connector (E), and detach it.
 4. Lift the console up, then remove it.
7. Install the center console in the reverse order of removal, and note these items:
 - Check if the clips are damaged or stress-whitened, and if necessary, replace them with new ones.
 - Make sure all the connectors are plugged in properly.
 - Push the clips into place securely.